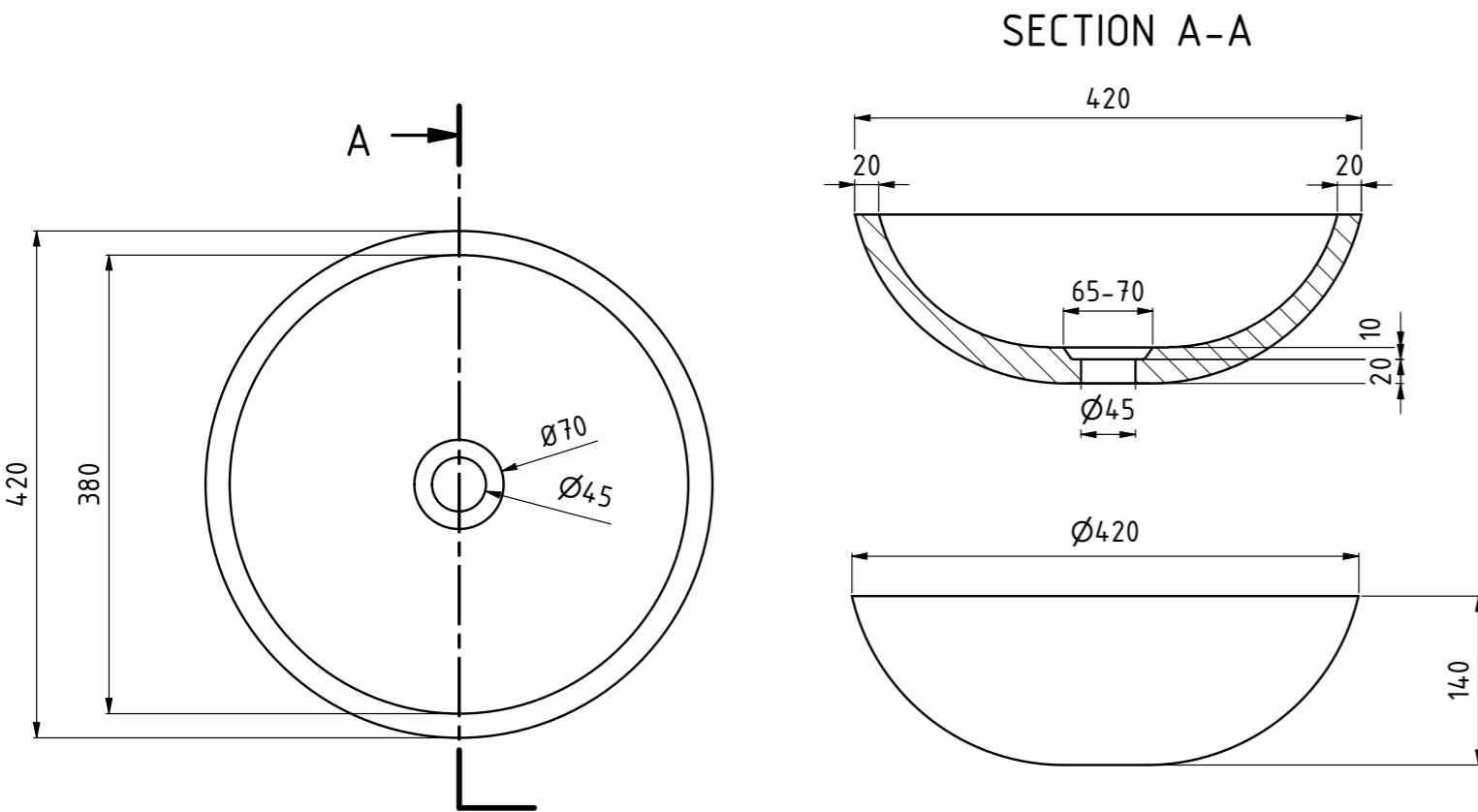


Note: This product must be installed by a licensed tradesperson.

This is a general installation guide - the basin illustrated in the guide may not be that same as your purchased product. There are many factors that are involved that can alter the installation method.



Note: Dimensions are nominal measurements only

SPECIFICATIONS

RECOMMENDED USE

Domestic

MATERIAL

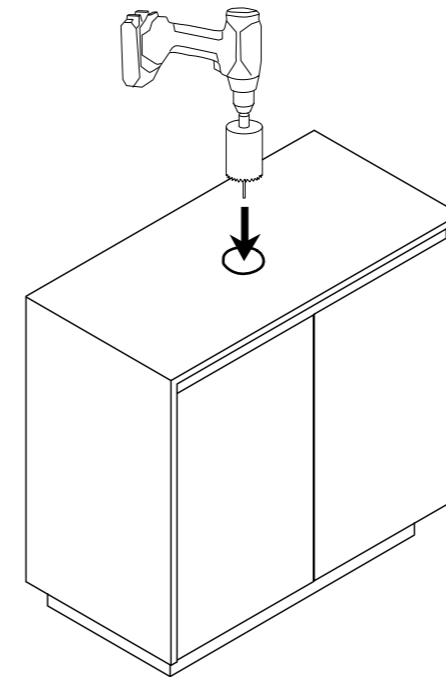
Natural Granite

INSTALLATION

Bench Mount

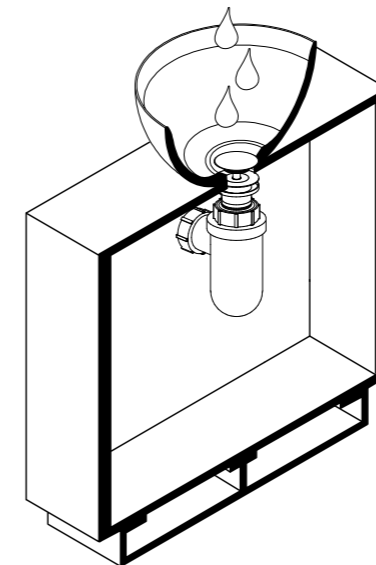
WARRANTY

Structure: 5 years | Finish: 5 years

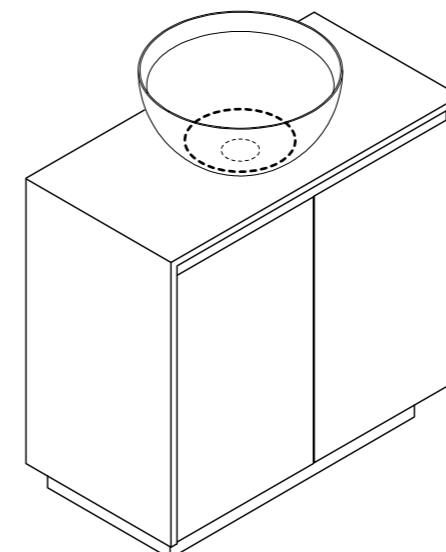


1 Mark out desired location of basin and drill hole for basin waste with a hole saw.

Note: If cutting a stone benchtop it will need to be cut in a controlled environment by a licensed tradesperson as per OH&S regulations.



2 Install pop up waste and attach to plumbing. Test by running water through the waste and pushing the plug down.



3 Silicone basin to vanity benchtop as required.