

**Note:** Dimensions are nominal measurements only

### SPECIFICATIONS

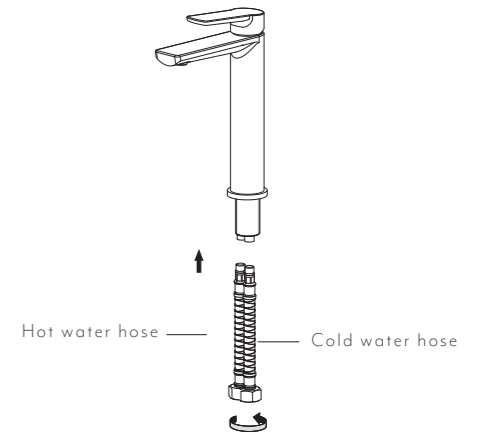
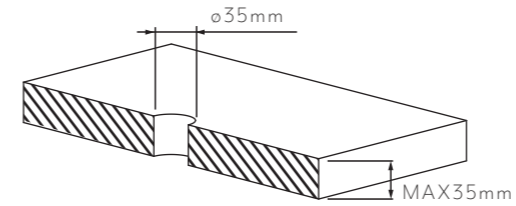
<b>RECOMMENDED USE</b>	Domestic
<b>MATERIAL</b>	Solid Brass
<b>PRESSURE RATING</b>	Maximum continuous operating pressure 1000kPa.W. For best performance and longer life we recommend 150-500kPa. Hot and cold water inlet pressure should be equal.
<b>TEMPERATURE RATING</b>	Maximum continuous working temperature 80°C
<b>SUITABLE HOT WATER UNITS</b>	Storage tank: Yes Continuous Flow: Yes Gravity Feed: Not suitable
<b>STANDARDS</b>	WELS 5Star, 6L/min, T25538 (V)

Disclaimer: Products in this manual must by law be installed by licensed and registered tradespeople in accordance with the relevant standards. ABI and the manufacturer/distributor reserve the right to vary specifications or delete models from their range without prior notification. Dimensions are nominal measurements only. The information listed is correct at the time of publication, however ABI and the manufacturer/distributor takes no responsibility for printing errors. Copyright © ABI Interiors 2021.

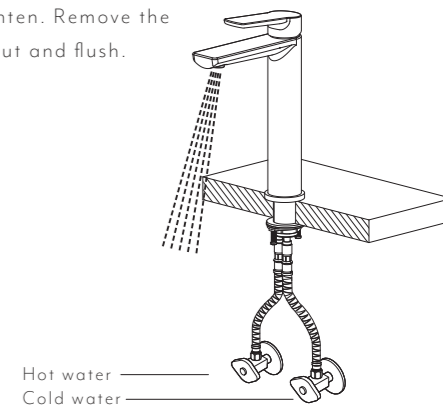
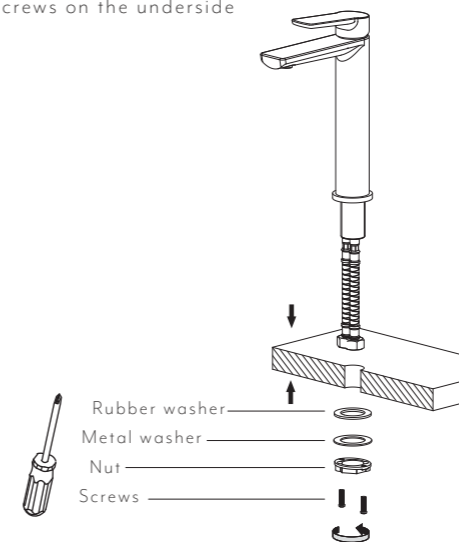
### INSTALLATION GUIDE

This product must be installed by a licensed plumber.  
This is a general installation guide - there are many factors that are involved that can alter the installation method.  
This product install must comply with AS/NZS 3500.

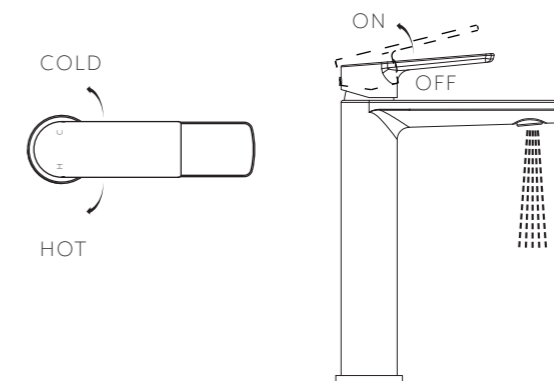
- 1 Mark hole in benchtop at desired position and drill a 35mm hole.
- 2 As shown in the figure, connect the H & C flexible hoses. ABI recommends applying appropriate lubricant to o-rings.



- 3 Install the basin mixer by fixing the washers, nut & screws on the underside of the benchtop.
- 4 Attach the two flexible hoses to water supply and hand tighten. Remove the aerator from the spout and flush. Re-install aerator.



### MIXER OPERATION



Regularly clean with mild liquid detergent or soap and water



DO NOT use cream cleaners or bleach. These substances are abrasive



DO NOT use cleaning pads with abrasive surfaces as this may scratch the material