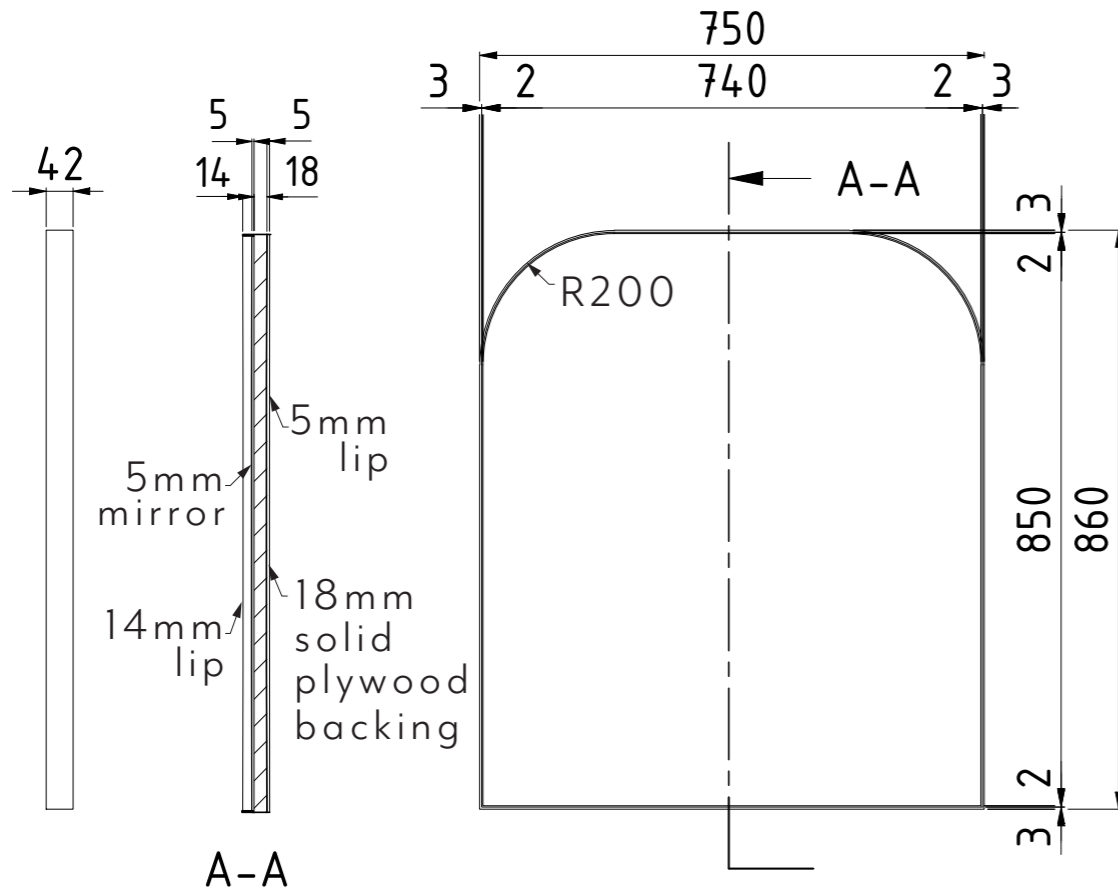


Note: This product must be installed by a licensed tradesperson. This is a general installation guide - there are many factors that are involved that can alter the installation method.



Please note: this product is designed to be mounted on the floor. If you wish to mount on the wall, additional brackets are required. Feel free to contact our sales staff for more information.

Note: Dimensions are nominal measurements only

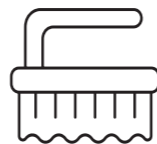
SPECIFICATIONS	
RECOMMENDED USE	Domestic
MATERIAL	Stainless Steel / Plywood
FINISH	Stainless Steel - Brushed Brass, Brushed Copper, Brushed Gunmetal, Brushed Stainless & Chrome Lacquer - Matte Black & White
WARRANTY	Structure: 5 years Finish: 2 years



Regularly clean with mild liquid detergent or soap and water

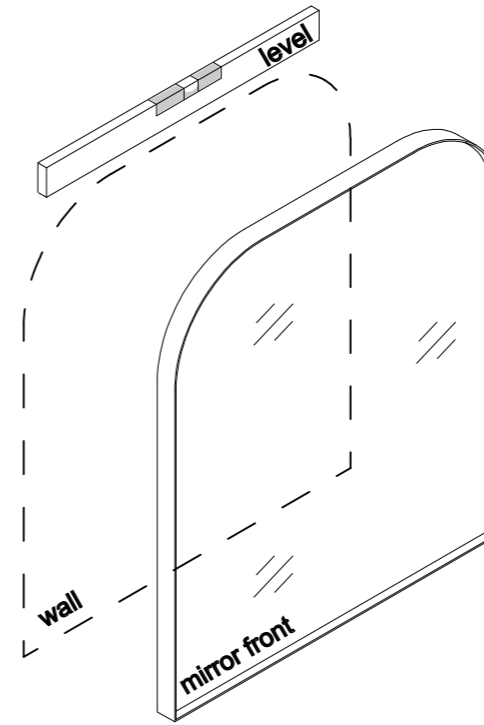


DO NOT use cream cleaners or bleach. These substances are abrasive

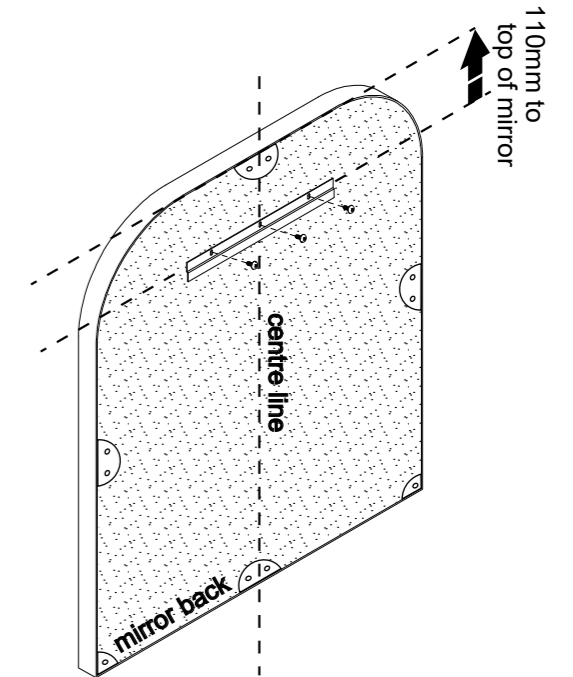


DO NOT use cleaning pads with abrasive surfaces as this may scratch the material

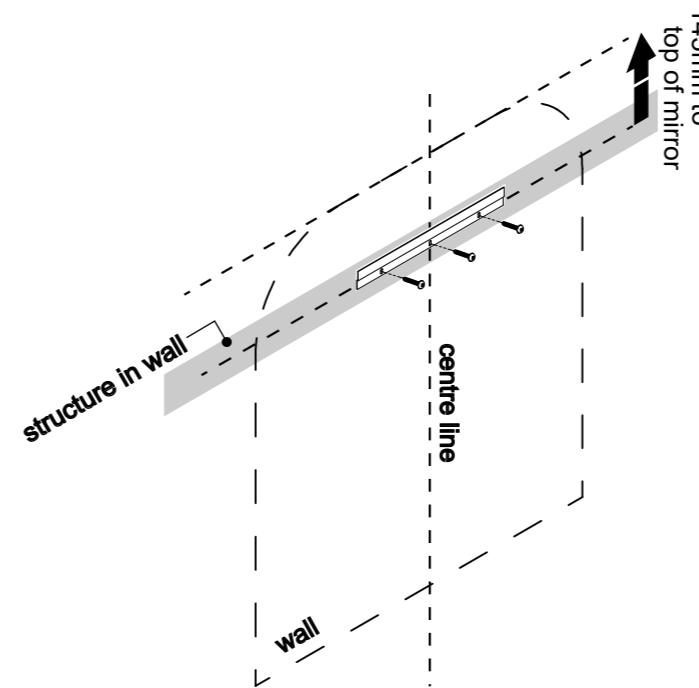
1 Check the correct height and position is suitable, level the top of the mirror & mark out desired position



2 Using the screws provided, fix bracket to back of mirror as per the position in the diagram below.
Note: To avoid puncturing mirror glass the bracket must be fixed to mirror with a maximum screw length of 19mm (including head of screw).



3 Position the wall fixing brackets with measurements taken from the mirror bracket positions. Using the screws provided fix wall brackets into structural support in wall.



4 Mount mirror to wall by lining up mirror with marked position on wall & lowering the mirror brackets into wall brackets.

