

**Note:** In-wall not included in handle kit

**Note:** Dimensions are nominal measurements only

## SPECIFICATIONS

### RECOMMENDED USE

Domestic

### MATERIAL

Stainless Steel 316

Disclaimer: Products in this manual must by law be installed by licensed and registered tradespeople in accordance with the relevant standards. ABI and the manufacturer/distributor reserve the right to vary specifications or delete models from their range without prior notification. Dimensions are nominal measurements only. The information listed is correct at the time of publication, however ABI and the manufacturer/distributor takes no responsibility for printing errors. Copyright © ABI Interiors Pty Ltd 2021.

## INSTALLATION GUIDE

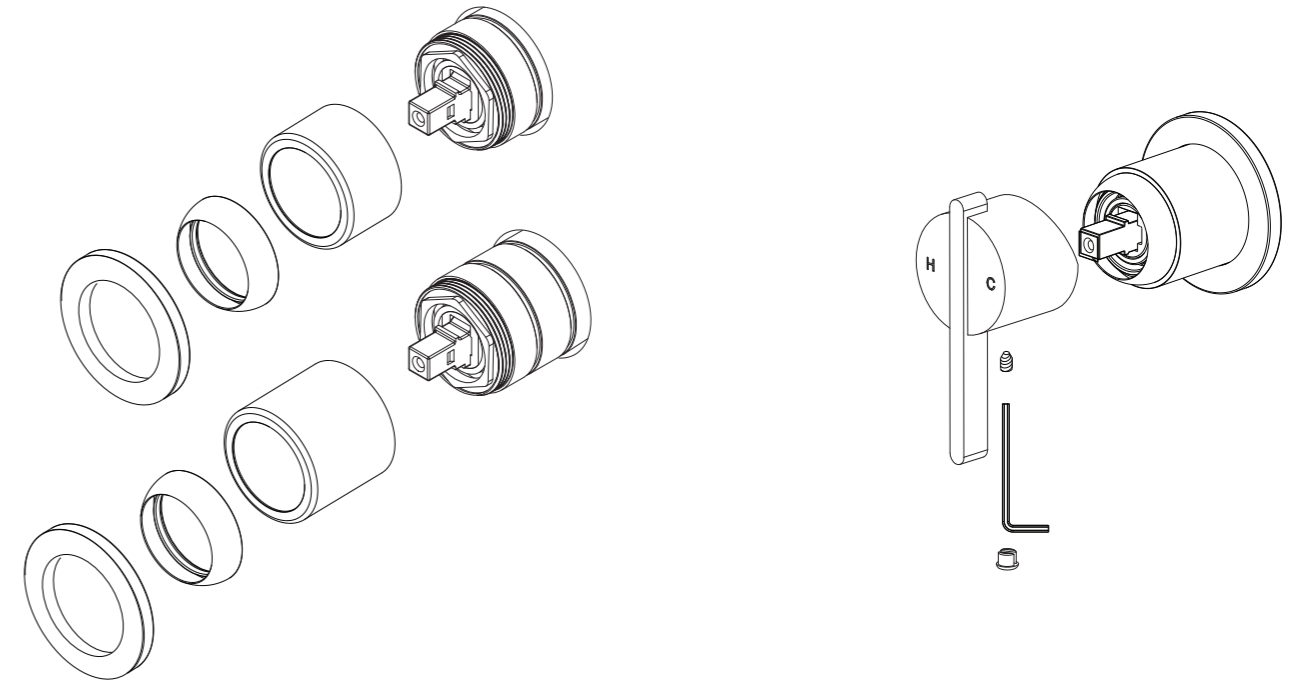
Note: This product must be installed by a licensed plumber. This is a general installation guide - there are many factors that are involved that can alter the installation method. This product install must comply with AS/NZS 3500 & AS1428.1:2021.

See 316 Stainless Steel In Wall Mixer Body install guide for Steps 1 - 3 (Rough In)

### FIT OFF

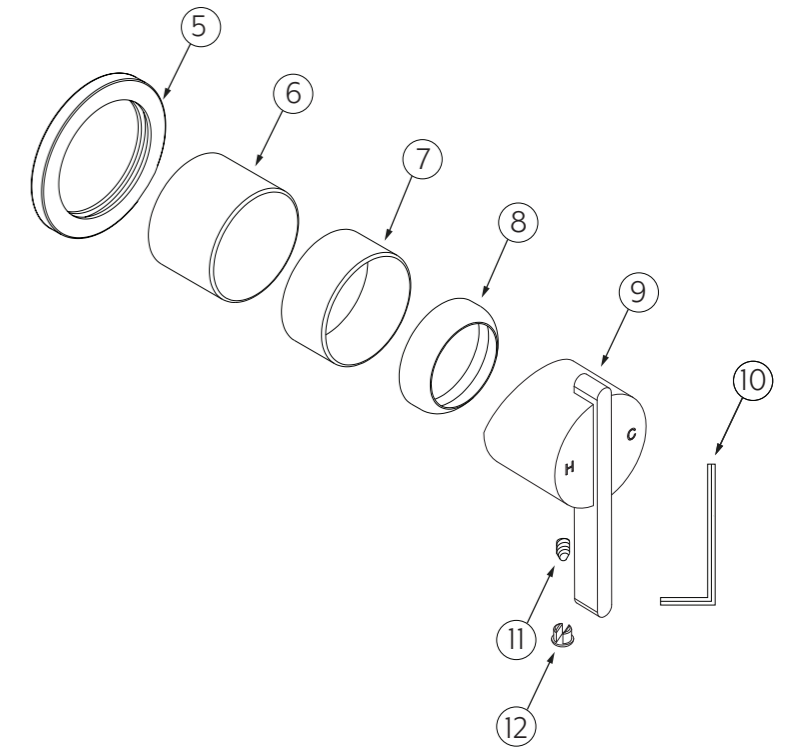
- 4 Push the sleeve over the body until it is as far back as possible and nut thread is exposed. Screw the dome onto the brass fitting and tighten. Select either short or long cover sleeve according to in wall set back established in Rough In (see 316 Stainless Steel In Wall Mixer Body install guide for more info).

- 5 Place the handle onto the fitting. Fasten the grub screw firmly with the allen key.



### IN THE BOX (HANDLEKIT)

5. Back plate
6. Long cover sleeve
7. Short cover sleeve
8. Dome
9. Mixer handle
10. Allen key
11. Grub screw
12. Grub screw cap



Regularly clean with mild liquid detergent or soap and water



DO NOT use cream cleaners or bleach. These substances are abrasive.



DO NOT use cleaning pads with abrasive surfaces as this may scratch the material.