

**Note:** Dimensions are nominal measurements only

## SPECIFICATIONS

### RECOMMENDED USE

Domestic

### MATERIAL

Pan: Glazed Porcelain  
 Seat: Soft close - Hardened Polypropylene (PP)

### INSTALLATION

Floor Mounted

### SET-IN

96 - 165mm \*see next page for details

### TEMPERATURE RATING

Maximum continuous working temperature 75°C  
 If the water temperature exceeds 75°C, an approved tempering valve must be fitted

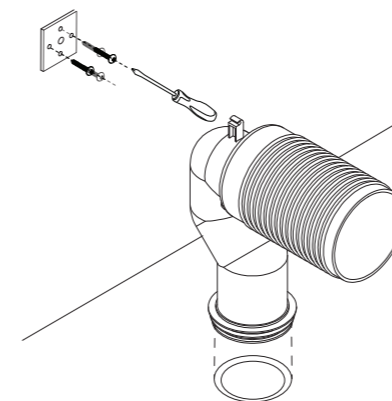
### STANDARDS

WELS: 4 star, Full Flush: 4.7L, Half Flush: 3.0L, Average Flush: 3.4L, L07269, WMK25988, AS 1172.2:2014

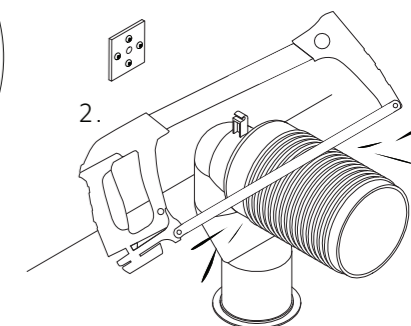
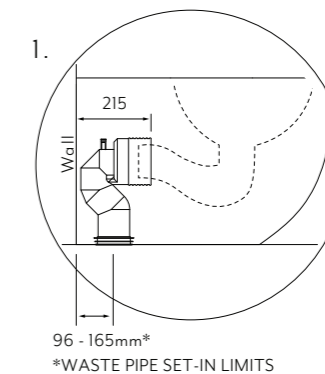
## INSTALLATION GUIDE

Note: This product must be installed by a licensed tradesperson. This is a general installation guide - there are many factors that are involved that can alter the installation method. The standards in your respective country must be adhered to by your licensed tradesperson

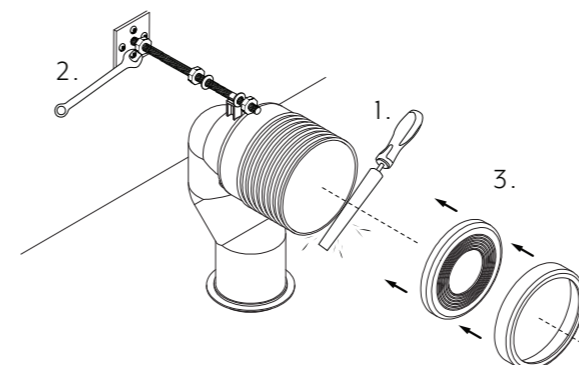
1. Align S trap adaptor and fix wall bracket  
**Note:** Use appropriate fixings according to wall finish.



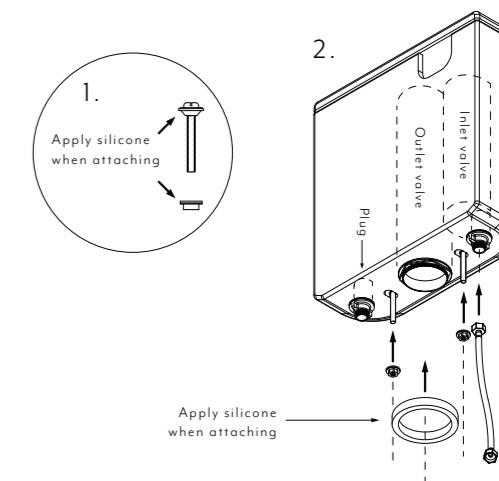
2. 1. Measure \*215±2mm from the wall to waste pipe end \*Please check this dimension yourself.  
 2. Use a saw to cut the pipe.



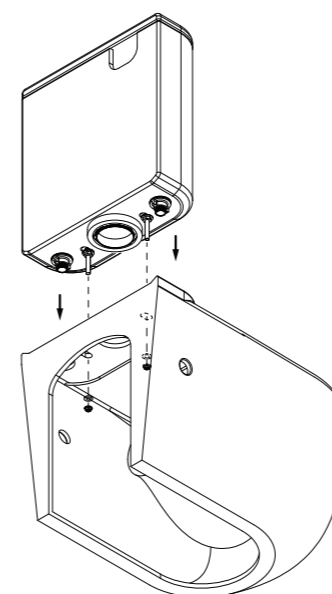
3. 1. File edges of S trap adapter.  
 2. Using a spanner fasten threaded rod to the wall plate and the S trap.  
 3. Place pan collar onto S trap adapter.



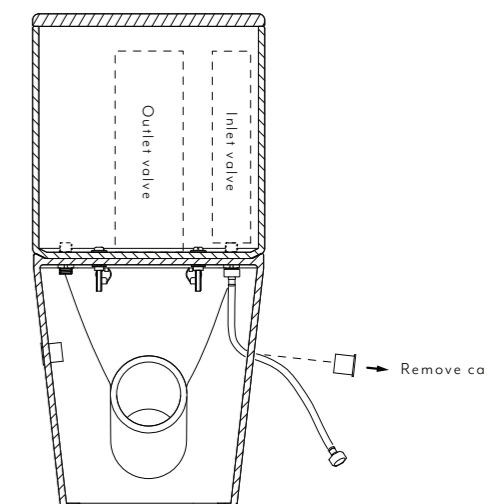
4. 1. Apply silicone to the bolts and washers.  
 2. Attach the bolts, rubber seal and flexi hose



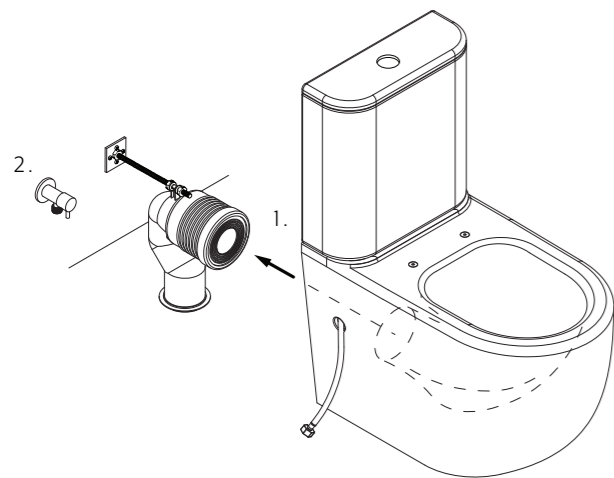
5. Align and bolt the cistern to the pan.



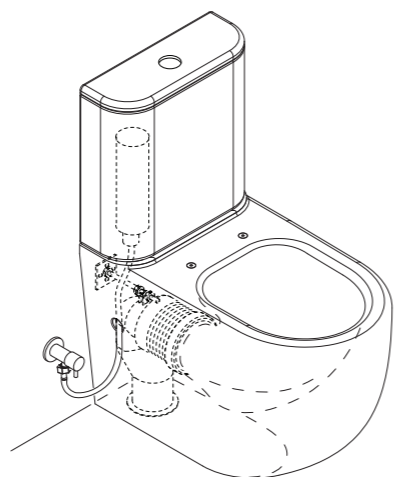
6. Remove cap and push flexi hose through the side of pan.



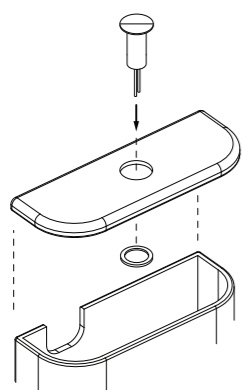
7 Push toilet back, ensure waste pipe aligns.



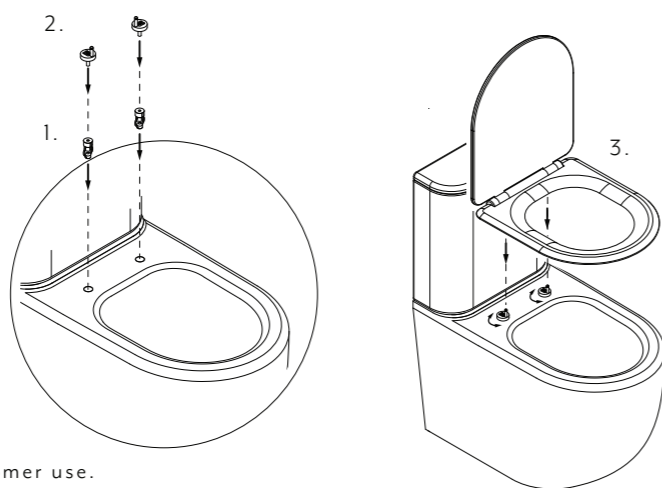
8 Connect flexi hose to wall outlet. Test and flush for leaks.



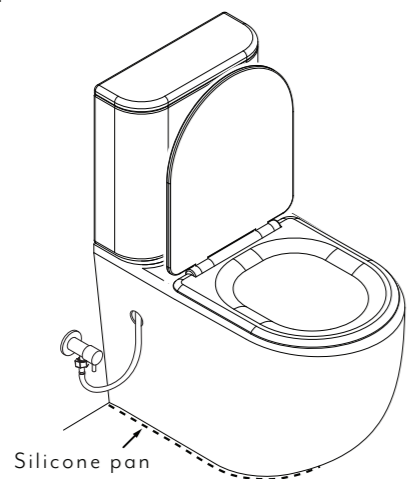
9 Attach flush button to cistern lid.



10 1. Push expansion plugs into pan holes.  
2. Use a screwdriver to attach hinges.  
3. Adjust hinges and push seat on



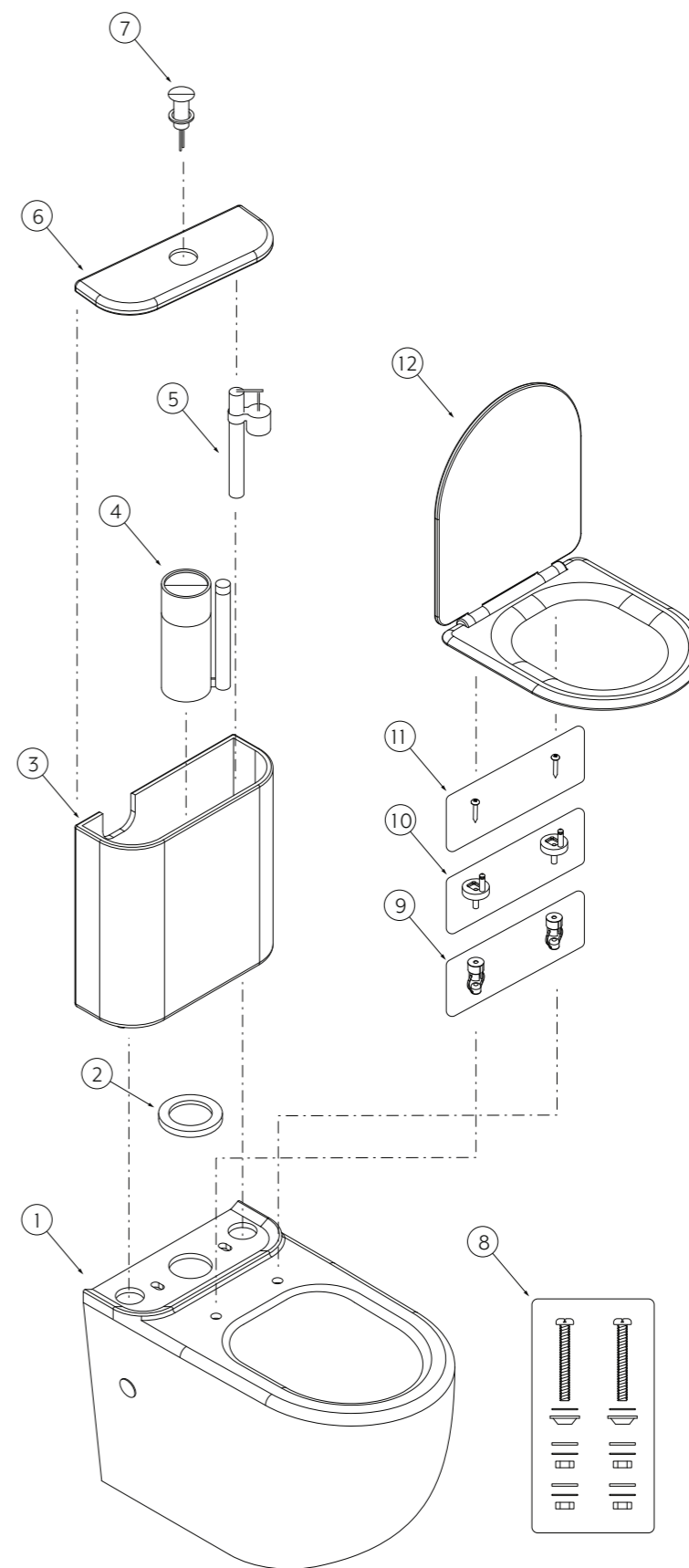
11 1. Always test and commission before customer use.  
2. Silicone pan.



Silicone pan

## Parts list

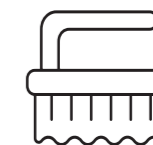
1. Pan
2. Foam washer
3. Cistern
4. Outlet valve
5. Inlet valve
6. Cistern lid
7. Flush buttons
8. Pan Bolt set [x2]
9. Expansion plug [x2]
10. Hinges [x2]
11. Screws [x2]
12. Seat [x2]



Regularly clean with mild liquid detergent or soap and water



DO NOT use cream cleaners or bleach. These substances are abrasive



DO NOT use cleaning pads with abrasive surfaces as this may scratch the material