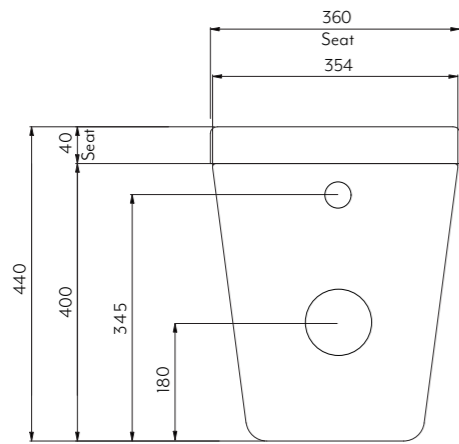
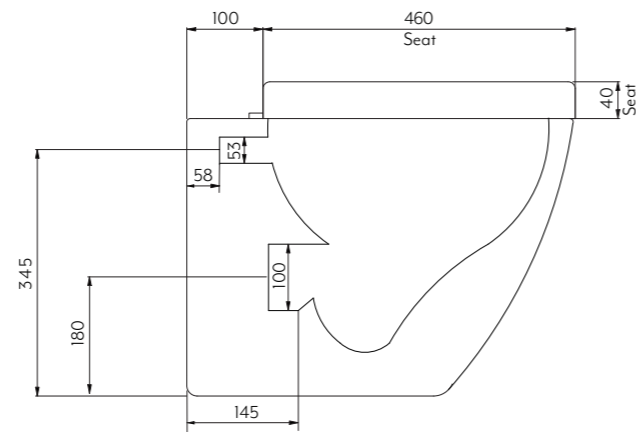


Top View



Back View



Front View

**Note:** Dimensions are nominal measurements only

### SPECIFICATIONS

#### RECOMMENDED USE

Domestic

#### MATERIAL

Pan: Glazed Porcelain  
Seat: Soft close - Hardened Polypropylene (PP)

#### INSTALLATION

Floor Mounted

#### WATERMARK

WMK25988

#### WARRANTY

Structure: 5 years | Finish: 5 years

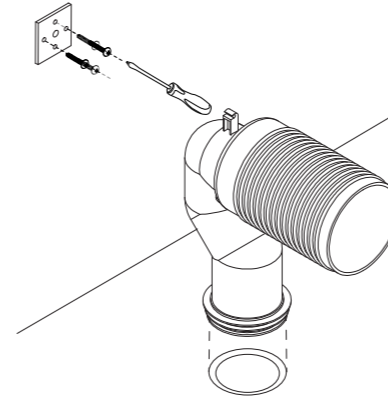
Disclaimer: Products in this specification manual must by regulation be installed by licensed and registered trade people. The manufacturer/distributor reserves the right to vary specifications or delete models from their range without prior notification. Dimensions are nominal measurements only. Dimensions and set-outs listed are correct at time of publication however the manufacturer/distributor takes no responsibility for printing errors. All ABI Products are designed in Australia. Copyright ABI Interiors Pty Ltd 2021.

### INSTALLATION GUIDE

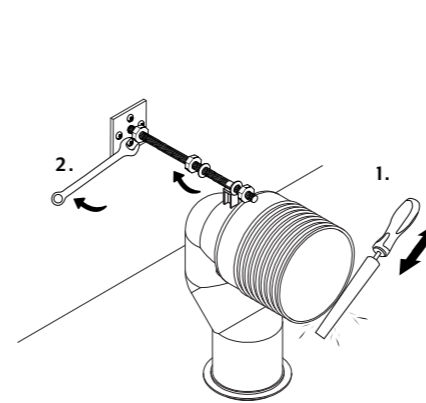
Note: This product must be installed by a licensed tradesperson. This is a general installation guide - there are many factors that are involved that can alter the installation method.

- Align S trap adaptor with pipe riser and fix wall bracket accordingly.

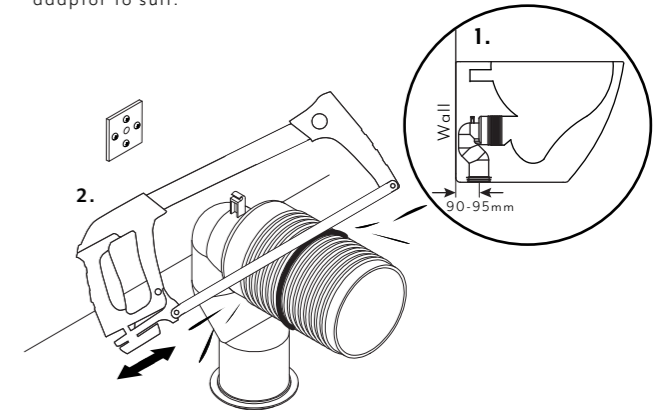
**Note:** Use appropriate fixings according to wall finish.



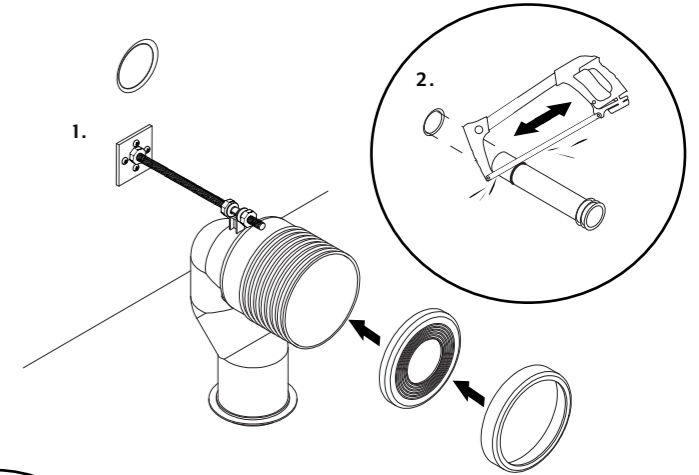
- File edges of S trap adaptor.
- Using a spanner, tighten nuts to fasten threaded rod to wall bracket and S trap adaptor.



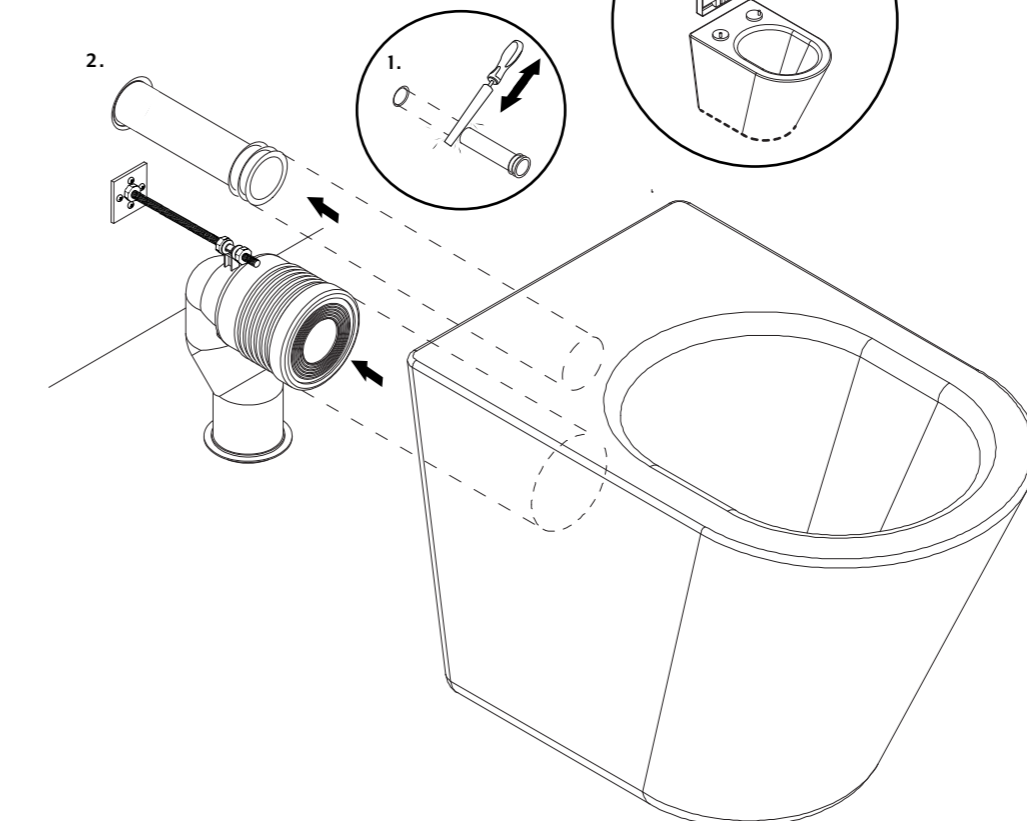
- Measure distance from wall to waste outlet. Must be 90-95mm off wall to centre of pipe.
- Measure distance from wall to pan outlet and cut S trap adaptor to suit.



- Place pan collar onto S trap adaptor outlet.
- Cut flush pipe to suit.



- File flush pipe and insert into o ring seal socket in wall.
- Push pan onto S trap adaptor and flush pipe.
- Silicone toilet to floor and mount toilet seat.



IN THE BOX	
1x Pan	1x S trap adaptor
2x Washers	1x Wall bracket
3x Nuts	1x Threaded rod
4x Screws	1x Toilet seat
1x Toilet seat	2x Toilet clips