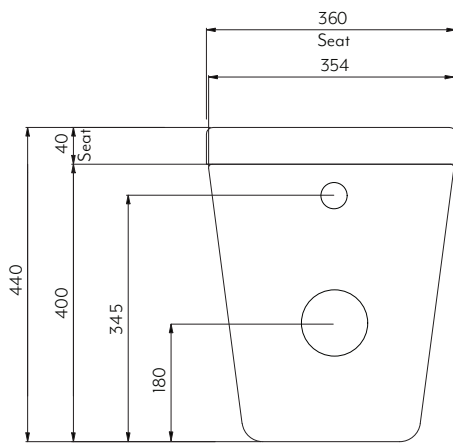
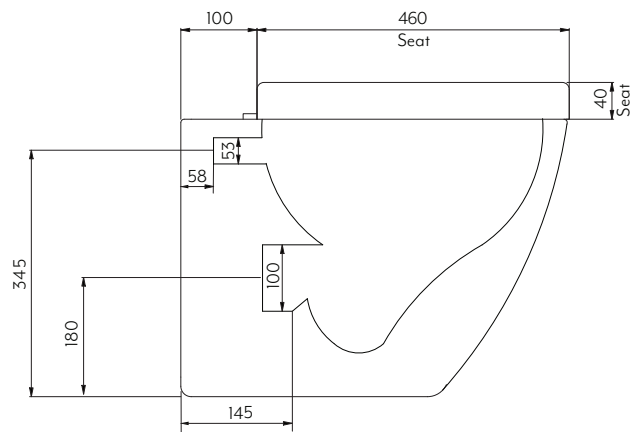


Top View



Back View



Front View

Note: Dimensions are nominal measurements only

SPECIFICATIONS

RECOMMENDED USE

Domestic

MATERIAL

Pan: Glazed Porcelain
Seat: Soft close - Hardened Polypropylene (PP)

INSTALLATION

Floor Mounted

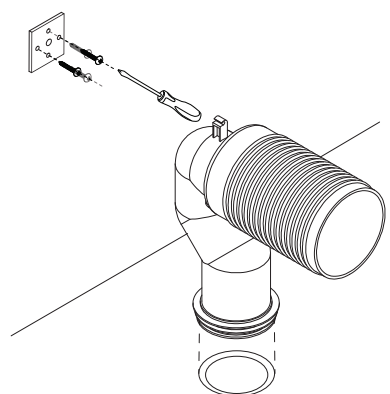
WATERMARK

WMK25988

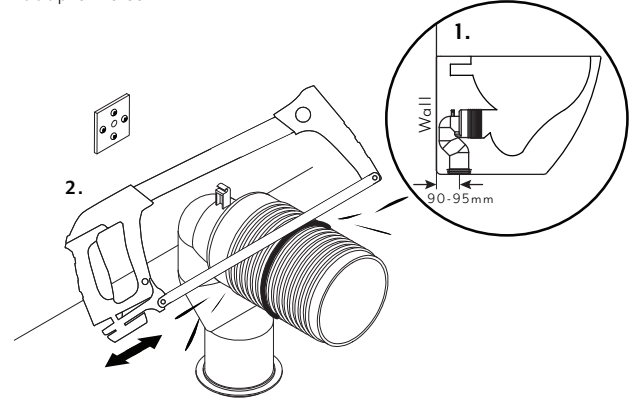
INSTALLATION GUIDE

Note: This product must be installed by a licensed tradesperson. This is a general installation guide - there are many factors that are involved that can alter the installation method.

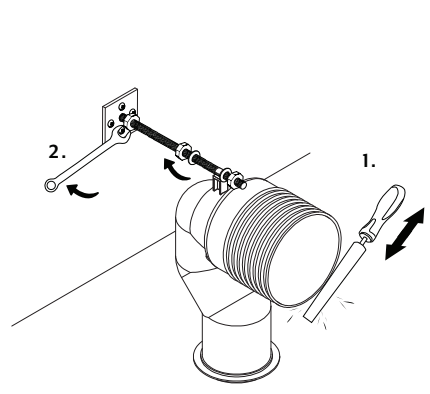
- Align S trap adaptor with pipe riser and fix wall bracket accordingly.
Note: Use appropriate fixings according to wall finish.



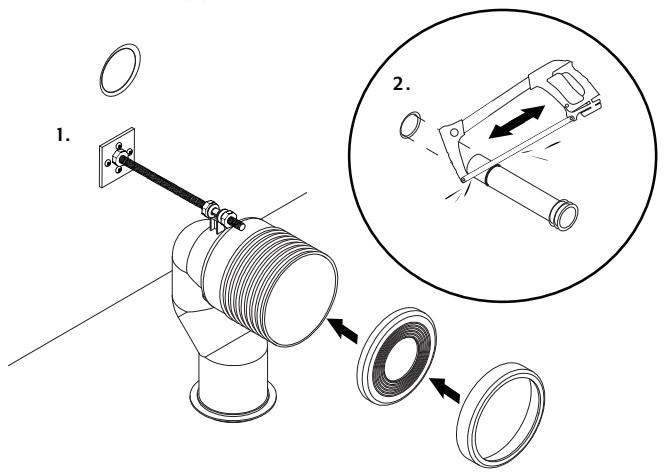
- Measure distance from wall to waste outlet. Must be 90-95mm off wall to centre of pipe.
 - Measure distance from wall to pan outlet and cut S trap adaptor to suit.



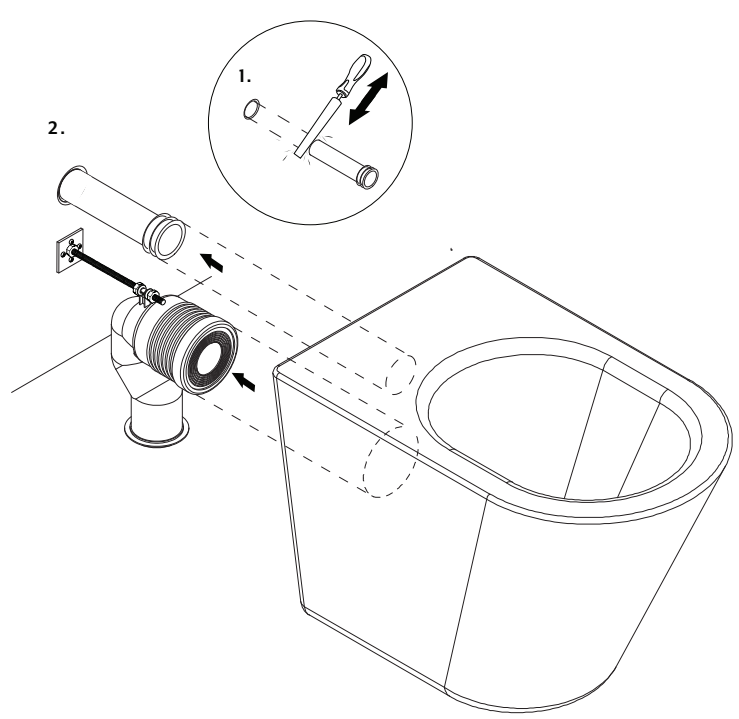
- File edges of S trap adaptor.
 - Using a spanner, tighten nuts to fasten threaded rod to wall bracket and S trap adaptor.



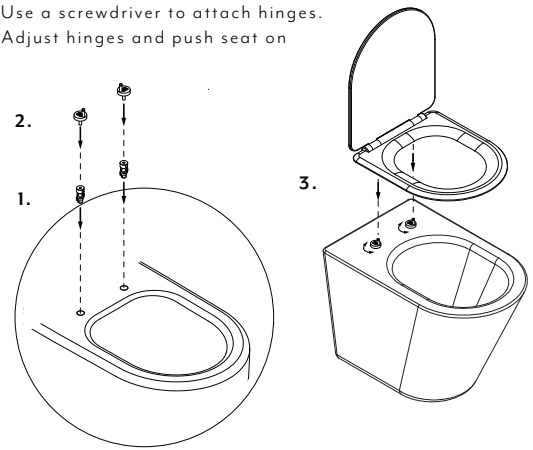
- Place pan collar onto S trap adaptor outlet.
 - Cut flush pipe to suit.



- File flush pipe and insert into o ring seal socket in wall.
 - Push pan onto S trap adaptor and flush pipe.



- Push expansion plugs into pan holes.
 - Use a screwdriver to attach hinges.
 - Adjust hinges and push seat on



IN THE BOX (BOX 1)		BOX 2
1x Pan	1x Toilet seat	1x S trap adaptor
2x Washers	2x Toilet clips	1x Wall bracket
3x Nuts	4x Screws	1x Threaded rod