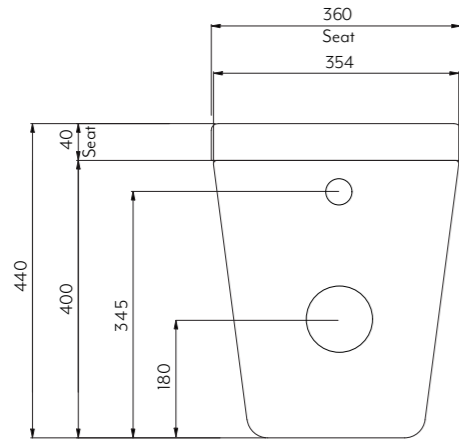
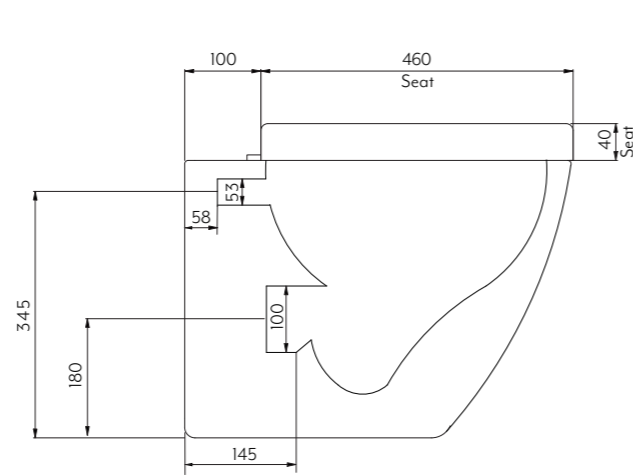


Top View



Back View



Front View

Note: Dimensions are nominal measurements only

SPECIFICATIONS

RECOMMENDED USE

Domestic

MATERIAL

Pan: Glazed Porcelain
Seat: Soft close - Hardened Polypropylene (PP)

INSTALLATION

Floor Mounted

TEMPERATURE RATING

Maximum continuous working temperature 75°C
If the water temperature exceeds 75°C, an approved tempering valve must be fitted

PRESSURE RATING

Recommended minimum working pressure 150kPa
Recommended maximum working pressure 500kPa
Hot and cold water inlet pressure should be equal

STANDARDS

Registration No. L07246 | WELS: 4 Star |
Flow Rate: Half Flush: 3L, Full Flush: 4.4L,
Average Flush: 3.3L, WMK25988

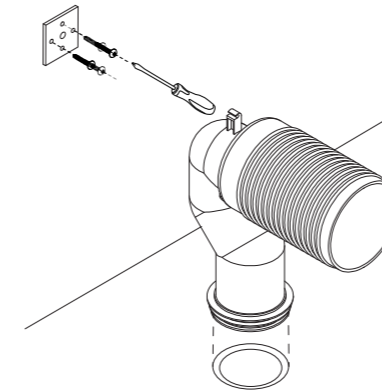
Disclaimer: Products in this specification manual must by regulation be installed by licensed and registered trade people. The manufacturer/distributor reserves the right to vary specifications or delete models from their range without prior notification. Dimensions are nominal measurements only. Dimensions and set-outs listed are correct at time of publication however the manufacturer/distributor takes no responsibility for printing errors. All ABI Products are designed in Australia. Copyright ABI Interiors Pty Ltd 2021.

INSTALLATION GUIDE

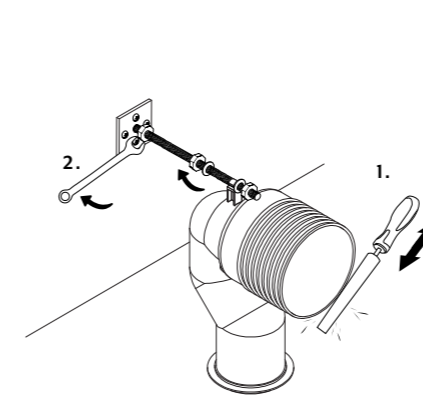
Note: This product must be installed by a licensed tradesperson. This is a general installation guide - there are many factors that are involved that can alter the installation method.

1. Align S trap adaptor with pipe riser and fix wall bracket accordingly.

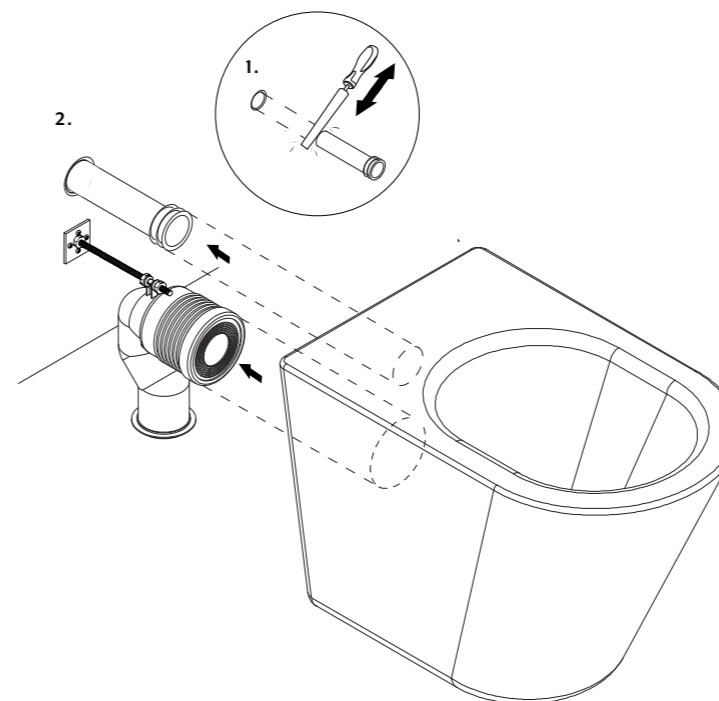
Note: Use appropriate fixings according to wall finish.



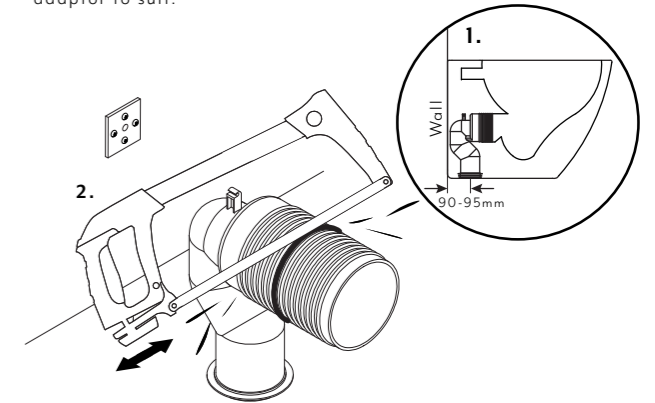
3. 1. File edges of S trap adaptor.
2. Using a spanner, tighten nuts to fasten threaded rod to wall bracket and S trap adaptor.



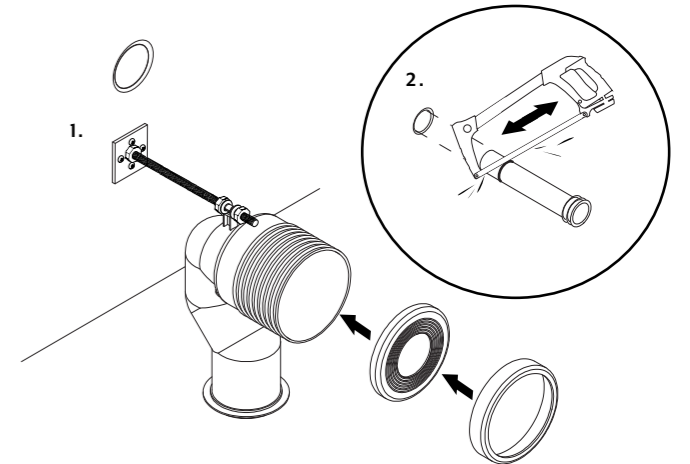
5. 1. File flush pipe and insert into o ring seal socket in wall.
2. Push pan onto S trap adaptor and flush pipe.



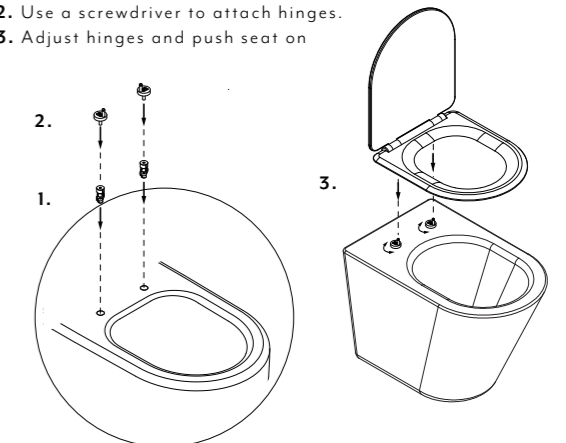
2. 1. Measure distance from wall to waste outlet. Must be 90-95mm off wall to centre of pipe.
2. Measure distance from wall to pan outlet and cut S trap adaptor to suit.



4. 1. Place pan collar onto S trap adaptor outlet.
2. Cut flush pipe to suit.



6. 1. Push expansion plugs into pan holes.
2. Use a screwdriver to attach hinges.
3. Adjust hinges and push seat on



IN THE BOX (BOX 1)		BOX 2
1x Pan	1x Toilet seat	1x S trap adaptor
2x Washers	2x Toilet clips	1x Wall bracket
3x Nuts	4x Screws	1x Threaded rod