

**Note:** Dimensions are nominal measurements only

## SPECIFICATIONS

### RECOMMENDED USE

Domestic

### CONSTRUCTION

Solid Brass

# INSTALLATION GUIDE

Note: This product must be installed by a licensed plumber.  
This is a general installation guide - there are many factors that are involved that can alter the installation method.

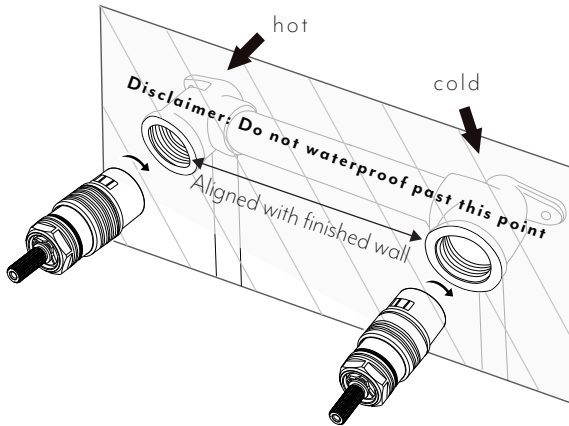


- 1** **New Build**  
Install breach in desired position.

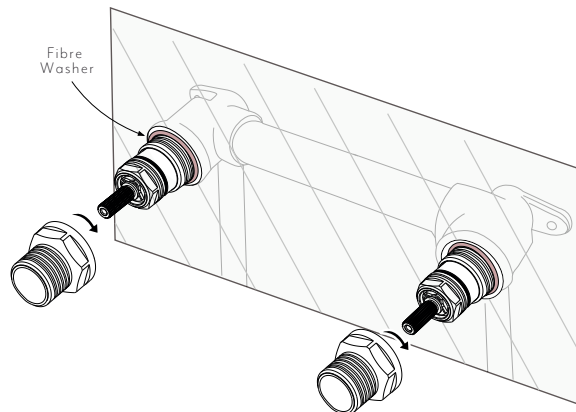
**Retrofitting Existing**

Remove existing tapware & reseal existing body seats until shiny & smooth.

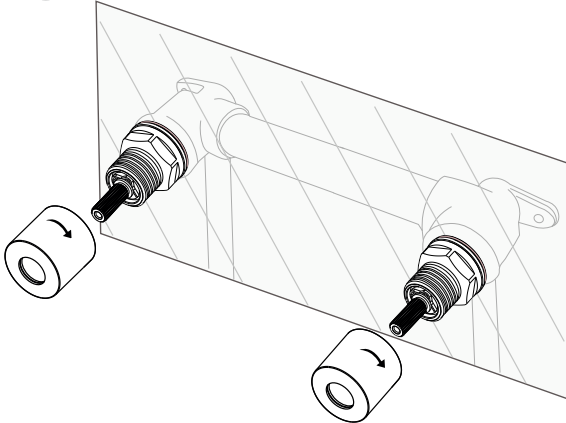
Screw spindle into breach and hand tighten until rear of spindle meets the body seat. **be sure not to overtighten.** If necessary apply more pressure lightly with spanner. (Note: Locking nut must be removed prior to installing this part of the spindle)



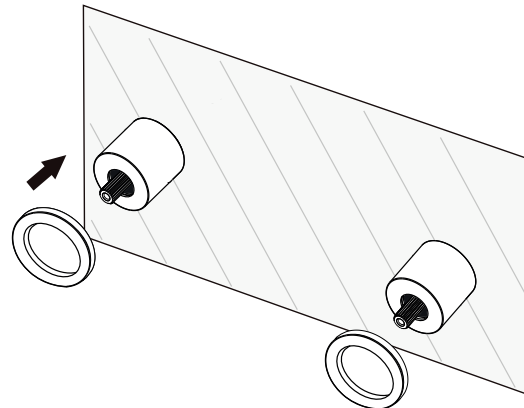
- 2** Fit the fibre washer over the spindle.  
Screw on the locking nut and tighten with spanner.  
**TEST AND CHECK FOR LEAKS**



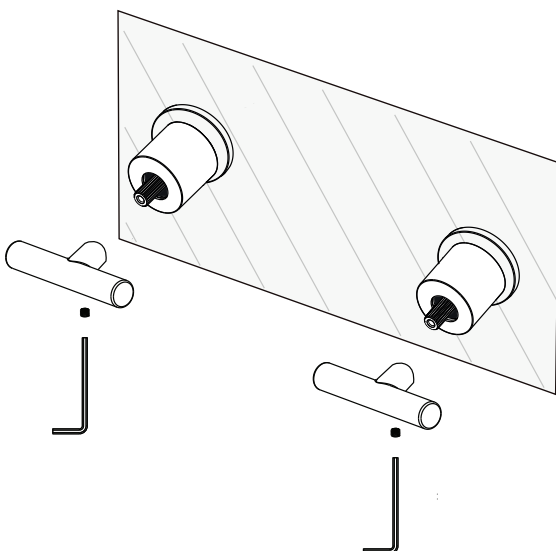
- 3** Install the sleeve onto the locking nut, twisting until tightened.



- 4** Slide the dress plate over the sleeve and press against wall.



- 5** Install handle by using the allen key provided and tighten grub screw.



IN THE BOX			
<b>BOX 1</b>			
2x Handles	2x Sleeves	2x Dress Plates	1x Allen Key
<b>BOX 2</b>			
2x Spindles	2x Locking Nuts	2x Fibre Washer	

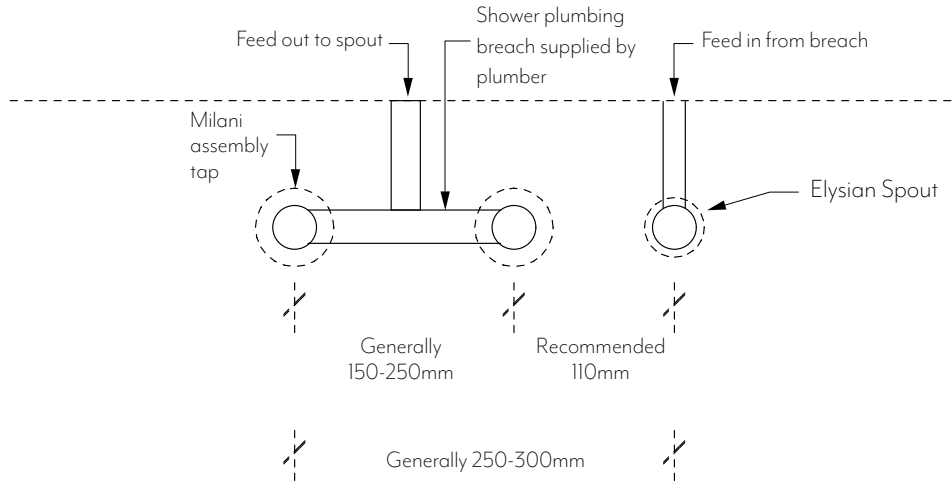
\*Extended spindle available on our website

# TYPICAL ASSEMBLY TAP EXAMPLES

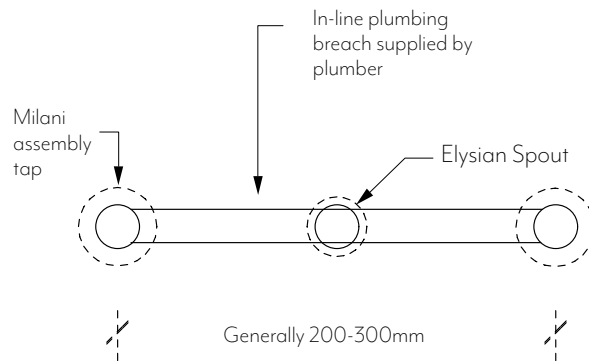
Note: This product must be installed by a licensed plumber.  
This is a general installation guide - there are many factors that are involved that can alter the installation method.



Example One:  
Offset basin mixer/bath spout setup



Example Two:  
Centred basin mixer/bath spout setup



Example Three:  
Shower Setup

