

Note: Dimensions are nominal measurements only

SPECIFICATIONS

RECOMMENDED USE

Domestic / Commercial

MATERIAL

304 Stainless Steel

GLASS

10-12mm (holes not required)

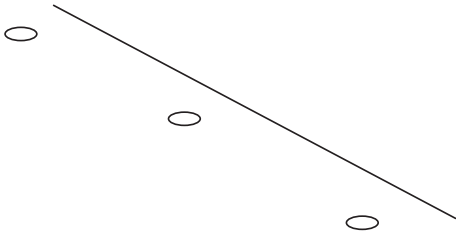
INSTALLATION

Deck Mount

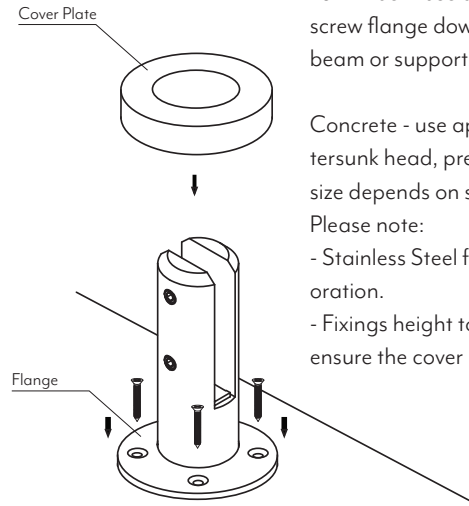
INSTALLATION GUIDE

Note: This product must be installed by a licensed trade
This is a general installation guide - there are many factors that are involved that can alter the installation method.

- 1** Mark out desired position for all spigots and make sure surface is level.
Generally there are two spigots per panel (up to 2m wide)
Please follow the general guide for spacing.



- 2** Fix spigot base using appropriate fixings.



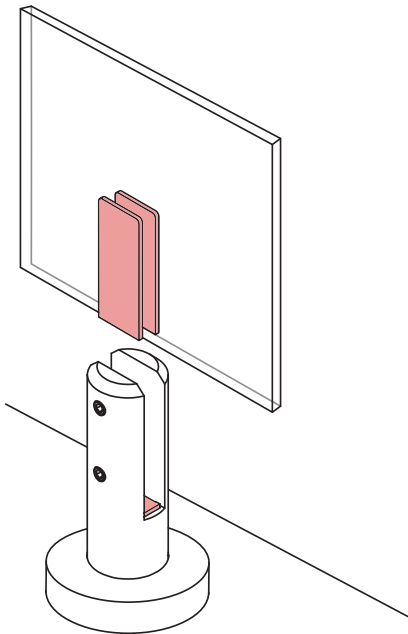
For timber - use appropriate fixing screws and screw flange down, make sure its going into a beam or supports.

Concrete - use appropriate fixings with countersunk head, pre drill holes in concrete (hole size depends on size of fixing).

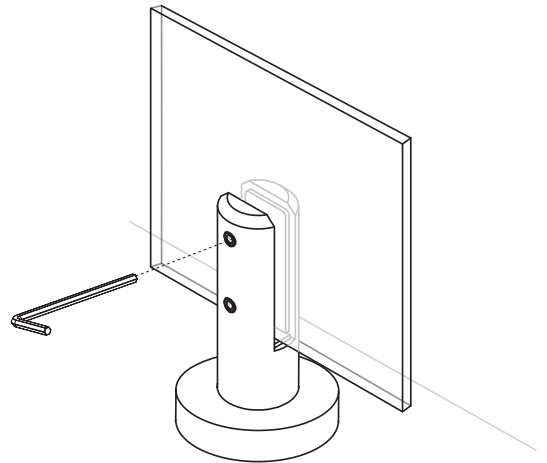
Please note:

- Stainless Steel fixings to avoid rusting/deterioration.
- Fixings height to be checked prior to install to ensure the cover plate will sit flush on the floor

- 3** Install glass. Make sure that the Rubber pads are in place on either side of the glass and at the base of the opening.



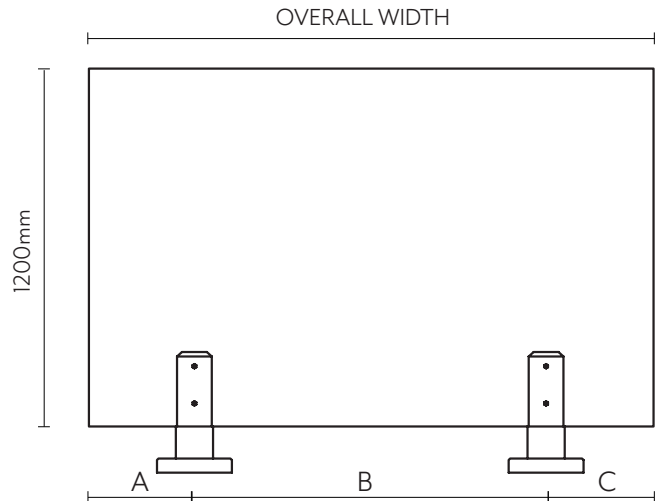
- 4** Tighten up grub screws using an allen key. This will clamp the glass to hold it in place.



GENERAL SPACING GUIDE

OVERALL WIDTH	A & C	B
200mm	50mm	100mm
300mm	100mm	100mm
400mm	100mm	200mm
450mm	100mm	250mm
500mm	100mm	300mm
550mm	100mm	350mm
600mm	100mm	400mm
650mm	100mm	450mm
700mm	100mm	500mm
750mm	150mm	450mm
800mm	150mm	500mm
900mm	150mm	600mm
950mm	150mm	650mm
1000mm	150mm	700mm
1050mm	150mm	750mm
1100mm	200mm	700mm
1150mm	200mm	750mm
1200mm	200mm	800mm
1250mm	200mm	850mm
1300mm	200mm	900mm
1350mm	200mm	950mm
1400mm	250mm	900mm
1450mm	250mm	950mm
1500mm +*	250mm	1000mm

* For 1500-2000mm special installation with 3 spigots may be required.



This is a general guide for 1200mm glass height.

Every situation can be slightly different so we recommend checking with Australian code to ensure you have the correct quantity.

This product must be installed by a licensed trade.

*For any application involving glazing outside the scope of the tables, charts or formulas provided in AS 1288, an engineering design is required to ensure compliance with the current standard. This means that all spigot and anchor fixings are outside the deemed-to-satisfy provisions of Section 7 of AS 1288 and require an engineering certification to confirm adherence to the NCC performance requirements.

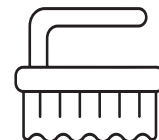
CLEANING & MAINTENANCE



Clean with mild liquid detergent or soap and water



DO NOT use cream cleaners or bleach. These substances are abrasive



DO NOT use cleaning pads with abrasive surfaces as this may scratch the material