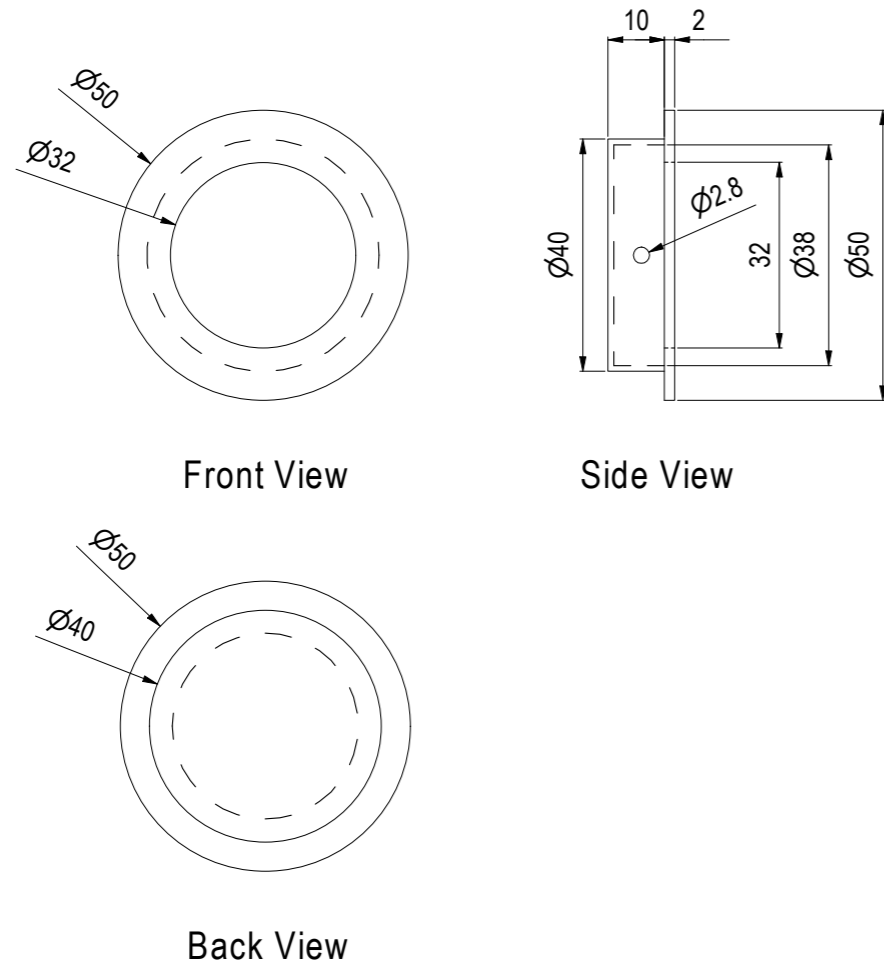


ATLEY ROUND FLUSH PULL



Front View

Side View

Back View

Note: Dimensions are nominal measurements only

SPECIFICATIONS

RECOMMENDED USE

Domestic / Commercial

MATERIAL

304 Stainless Steel

FUNCTION

Pull or Slide

DIMENSION

50mm Diameter | 12mm Depth

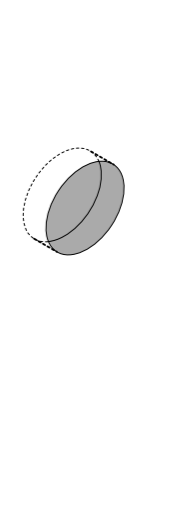
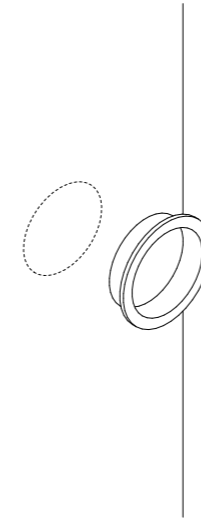
WARRANTY

Structure: 2 Years | Finish: 2 Years

INSTALLATION GUIDE

Note: This product must be installed by a licensed trade
This is a general installation guide - there are many factors that are involved that can alter the installation method.

- 1 Measure the desired height that you wish for the flush pull to sit at and mark a fixed point.
Mark the required circumference of the flush pull from its rear box (this is the back section of the flush pull).
- 2 Use a multi tool or preferred method to evenly remove material to the correct depth.
Apply the necessary amount of adhesive as required to the cut surface.



- 3 Press the flush pull into the cavity.

- 4 Use fixings provided to secure flush pull into position

