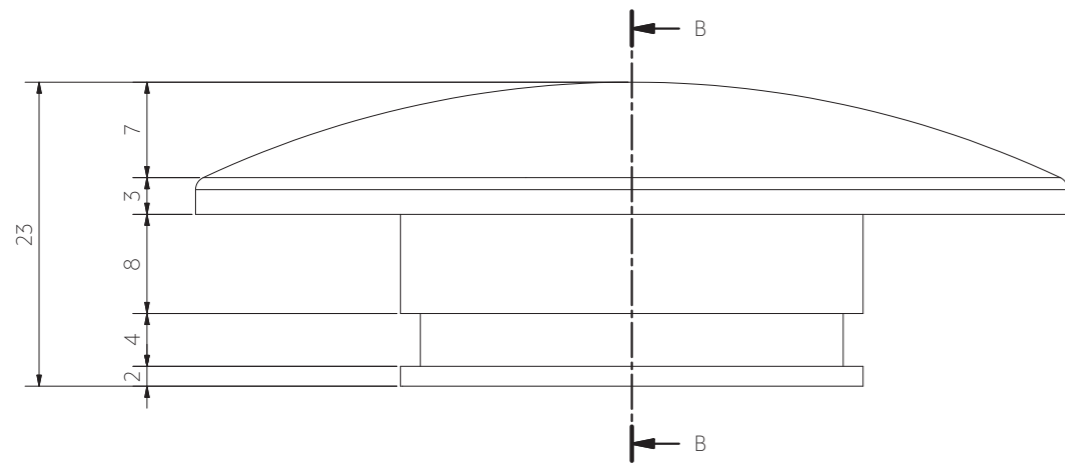
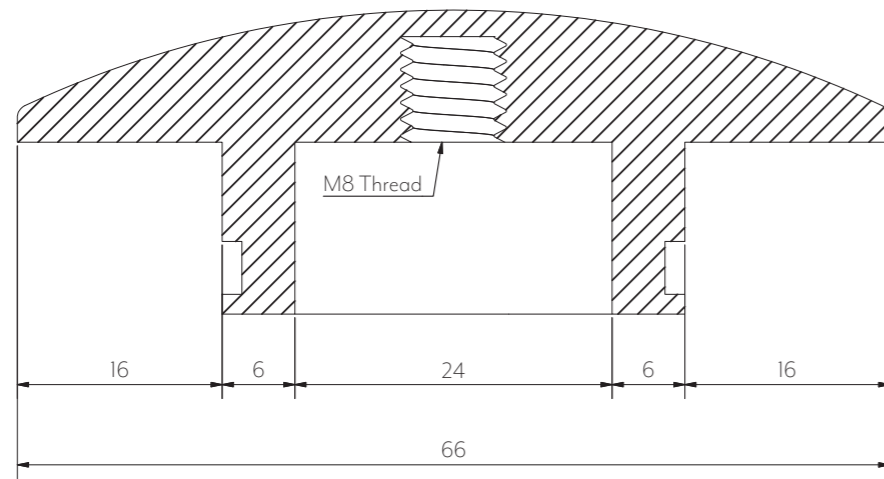


## INSTALLATION GUIDE

This product must be installed by a licensed plumber.  
 This is a general installation guide - there are many factors that are involved that can alter the installation method.  
 This product install must comply with AS/NZS 3500.  
 For installs outside Australia and New Zealand the standards in your respective country must be adhered to by your licensed tradesperson.



Front View



Section B-B

**Note:** Dimensions are nominal measurements only

### SPECIFICATIONS

#### RECOMMENDED USE

Domestic

#### MATERIAL

Solid Brass

#### INSTALLATION

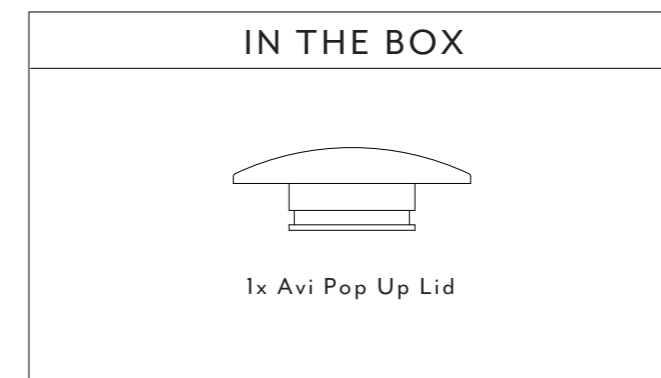
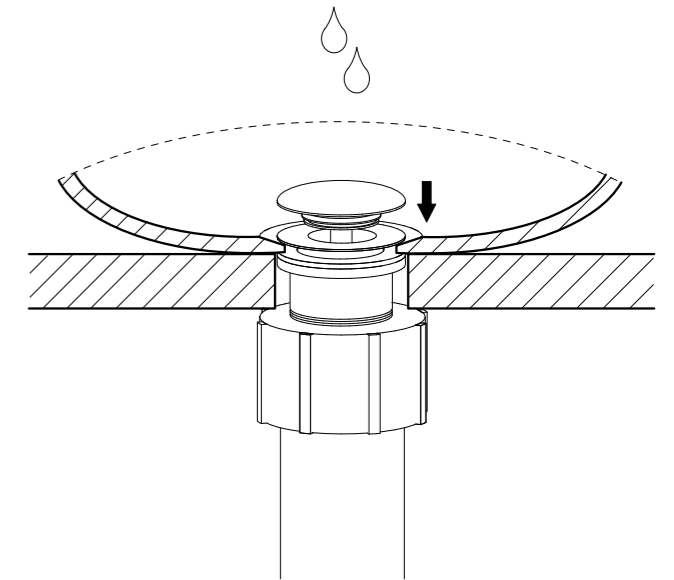
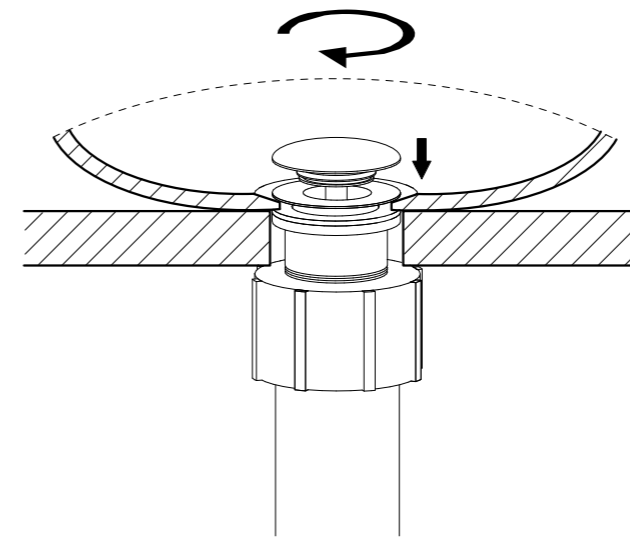
This product is suited to ABI Avi Pop Up Waste and must be purchased separately.

#### OVERFLOW

Compatible with overflow and non-overflow basins

① Hand tighten plug into top base.

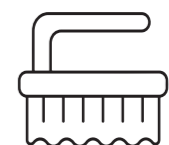
② Connect pipe work & test plug mechanism by pressing plug down with running water.



Regularly clean with mild liquid detergent or soap and water



DO NOT use cream cleaners or bleach. These substances are abrasive



DO NOT use cleaning pads with abrasive surfaces as this may scratch the material