

Note: Dimensions are nominal measurements only

SPECIFICATIONS

RECOMMENDED USE

Domestic

INSTALLATION

Suits 40mm Trap

OVERFLOW

Compatible with overflow and non-overflow basins

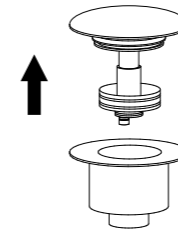
WARRANTY

Structure: 10 years | Finish: 5 years

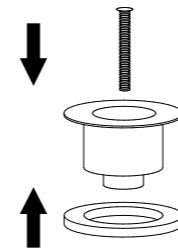
INSTALLATION GUIDE

Note: This product must be installed by a licensed tradesperson. This is a general installation guide - there are many factors that are involved that can alter the installation method. This product install must comply with AS/NZ 3500 and AS/NZS 3740, for installs outside Australia and New Zealand, the standards in your respective country must be adhered to by your licensed tradesperson.

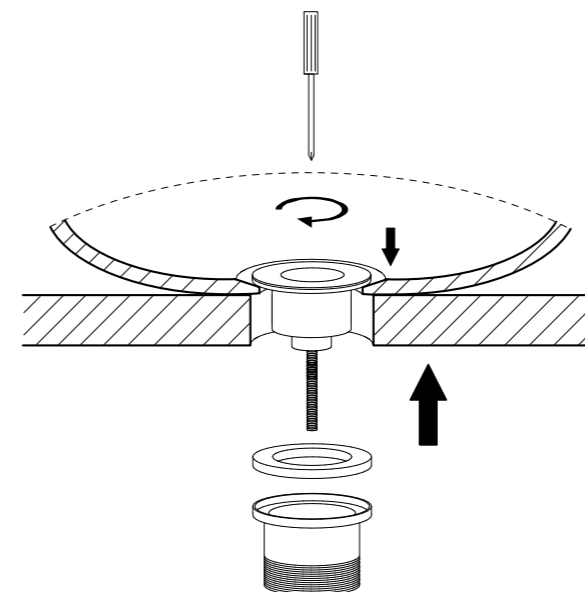
- 1 Remove plug & grate by holding top base & pulling plug upwards.



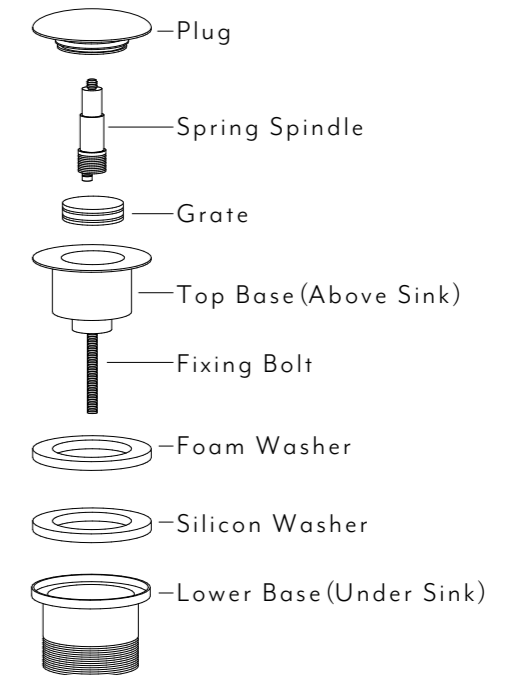
- 2 Fit foam washer to top base and drop fixing bolt into base.



- 3 Place the lower base with silicon washer underneath the basin & tighten fixing bolt with phillips head screw driver.



Disassembled pop-up waste components



- 4 Re-fit plug & grate into top base. Connect pipe work & test plug mechanism by pressing plug down with running water.

