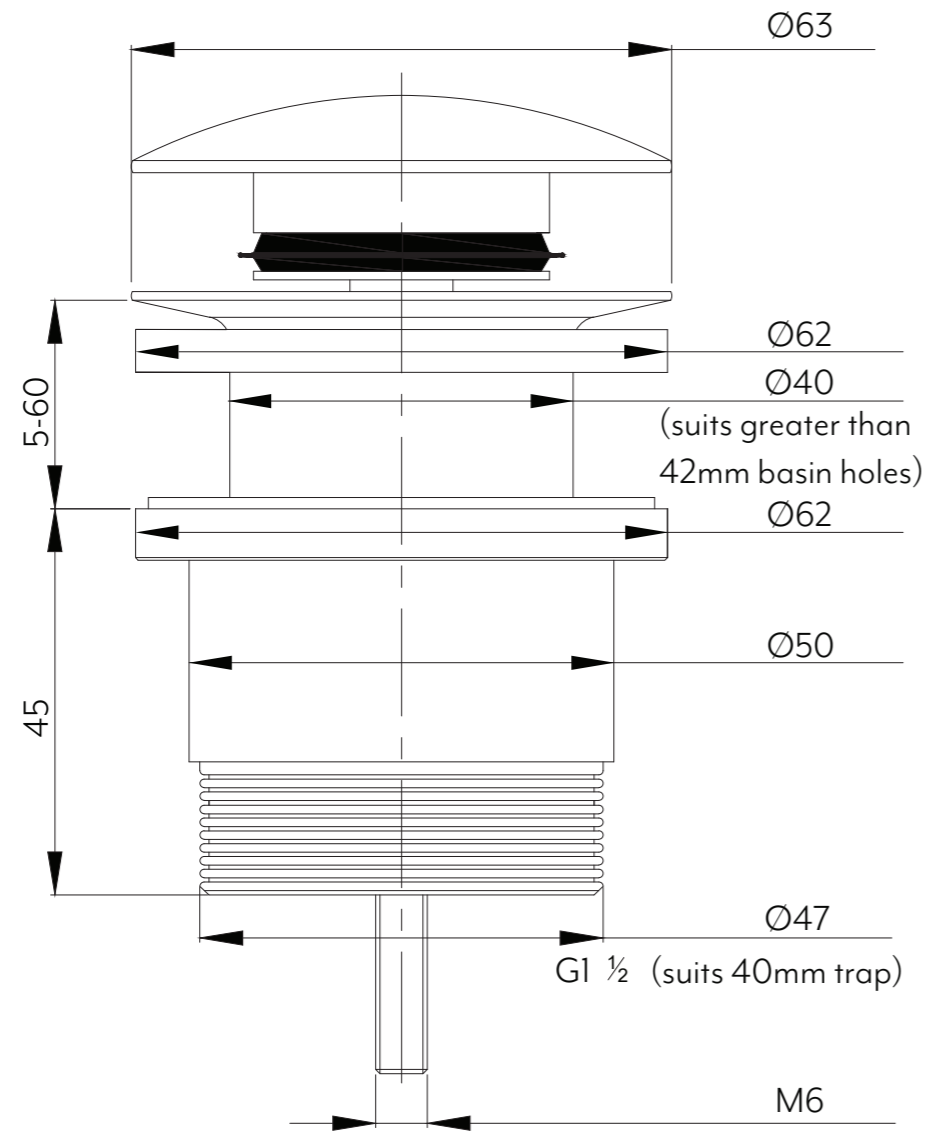


AVI POP UP WASTE



Note: Dimensions are nominal measurements only

SPECIFICATIONS

RECOMMENDED USE

Domestic

INSTALLATION

Suits 40mm Trap

OVERFLOW

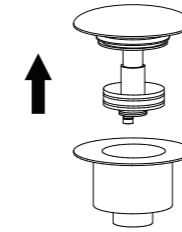
No

Disclaimer: Products in this specification manual must by regulation be installed by licensed and registered trade people. The manufacturer/distributor reserves the right to vary specifications or delete models from their range without prior notification. Dimensions are nominal measurements only. Dimensions and set-outs listed are correct at time of publication however the manufacturer/distributor takes no responsibility for printing errors. All ABI Products are designed in Australia. Copyright ABI Interiors 2019. WWW.ABIINTERIORS.COM.AU

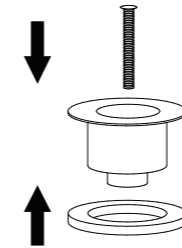
INSTALLATION GUIDE

Note: This product must be installed by a licensed trade
This is a general installation guide - there are many factors that are involved that can alter the installation method.

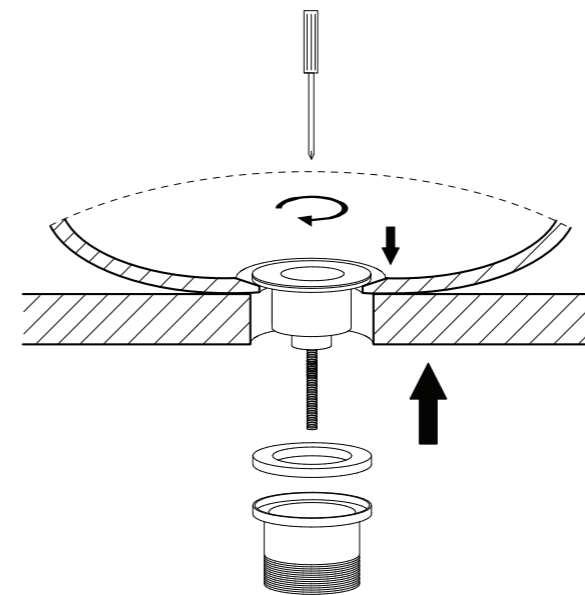
- 1 Remove plug & grate by holding top base & pulling plug upwards.



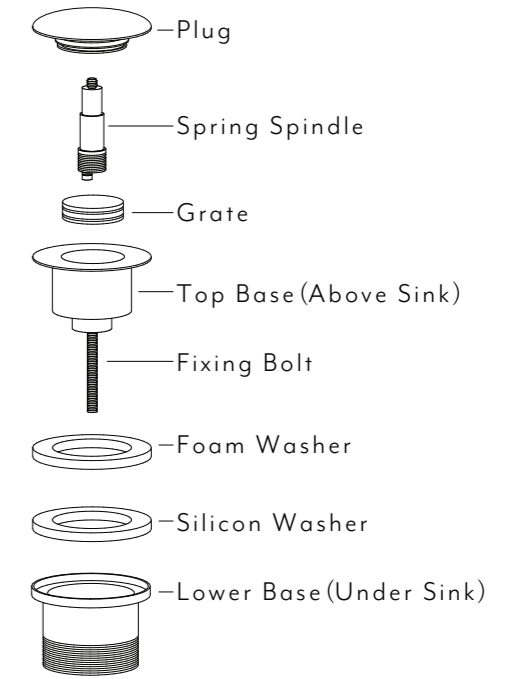
- 2 Fit foam washer to top base and drop fixing bolt into base.



- 3 Place the lower base with silicon washer underneath the basin & tighten fixing bolt with phillips head screw driver.



Disassembled pop-up waste components



- 4 Re-fit plug & grate into top base. Connect pipe work & test plug mechanism by pressing plug down with running water.

