

Note: Dimensions are nominal measurements only

SPECIFICATIONS	
RECOMMENDED USE	Domestic
MATERIAL	Solid Brass
PRESSURE RATING	Recommended minimum working pressure 150kPa Recommended maximum working pressure 500kPa Hot and cold water inlet pressure should be equal
TEMPERATURE RATING	Maximum continuous working temperature 75°C If the water temperature exceeds 75°C, an approved tempering valve must be fitted
SUITABLE HOT WATER UNITS	Storage tank: Yes Continuous Flow: Yes Gravity Feed: Not suitable

Disclaimer: Products in this specification manual must by regulation be installed by licensed and registered trade people. The manufacturer/distributor reserves the right to vary specifications or delete models from their range without prior notification. Dimensions are nominal measurements only. Dimensions and set-outs listed are correct at time of publication however the manufacturer/distributor takes no responsibility for printing errors. All ABI Products are designed in Australia. Copyright ABI Interiors Pty Ltd 2021.

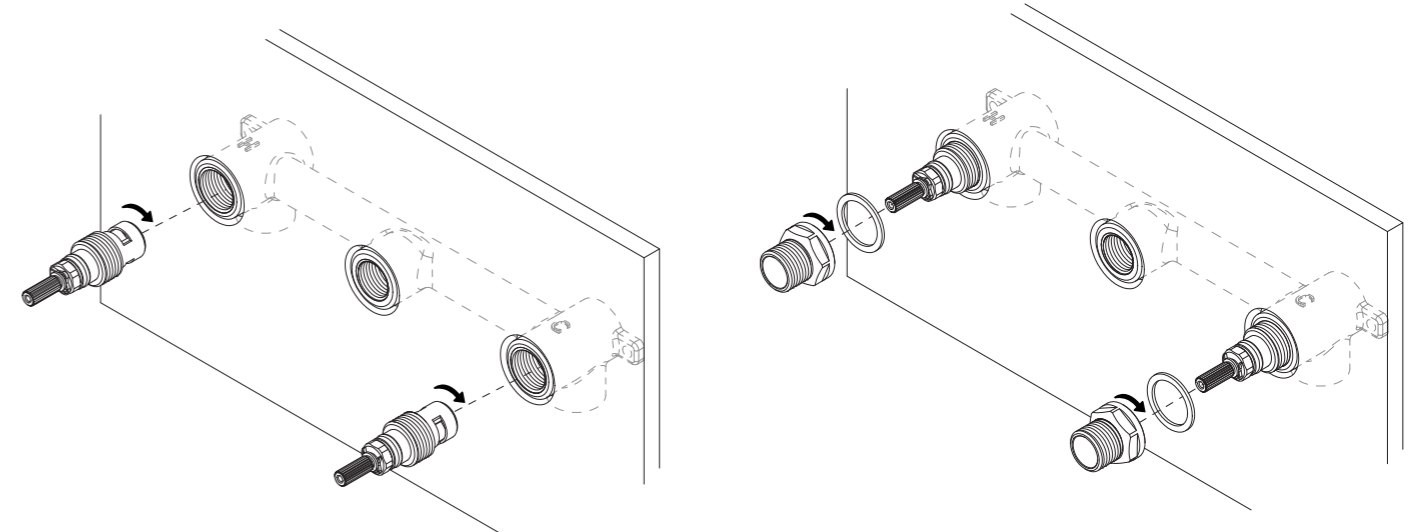
INSTALLATION GUIDE

Note: This product must be installed by a licensed plumber.

This is a general installation guide - there are many factors that are involved that can alter the installation method. This product install must comply with AS/NZS 3500.

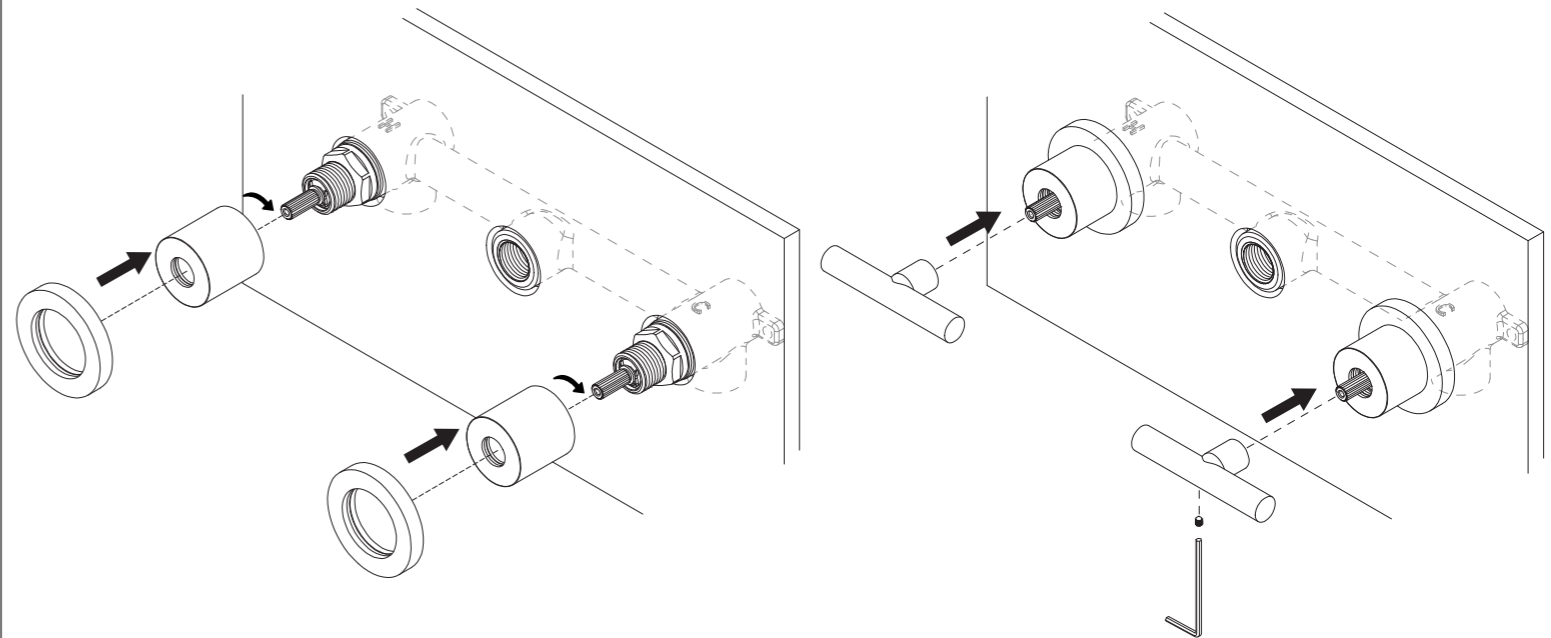
New Build - Install breach in desired position (please refer to additional install information regarding breach set backs).

Retrofitting Existing - Remove existing tapware & reseal body seats until shiny and smooth.



1 Remove locking nut from spindle. Screw spindle into breach and hand tighten until rear of spindle meets the body seat, be sure not to over tighten. If necessary apply more pressure lightly with spanner.

2 Fit the fibre washer over the spindle. Screw on the locking nut and tighten with spanner. **TEST AND CHECK FOR LEAKS.**



3 Install the handle body onto the locking nut, twisting by hand until tightened. Slide back plate over handle body until firmly pressed against finished wall surface.

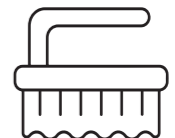
4 Install tap handle onto spindle and tighten in place using grub screw and allen key.



Regularly clean with mild liquid detergent or soap and water



DO NOT use cream cleaners or bleach. These substances are abrasive

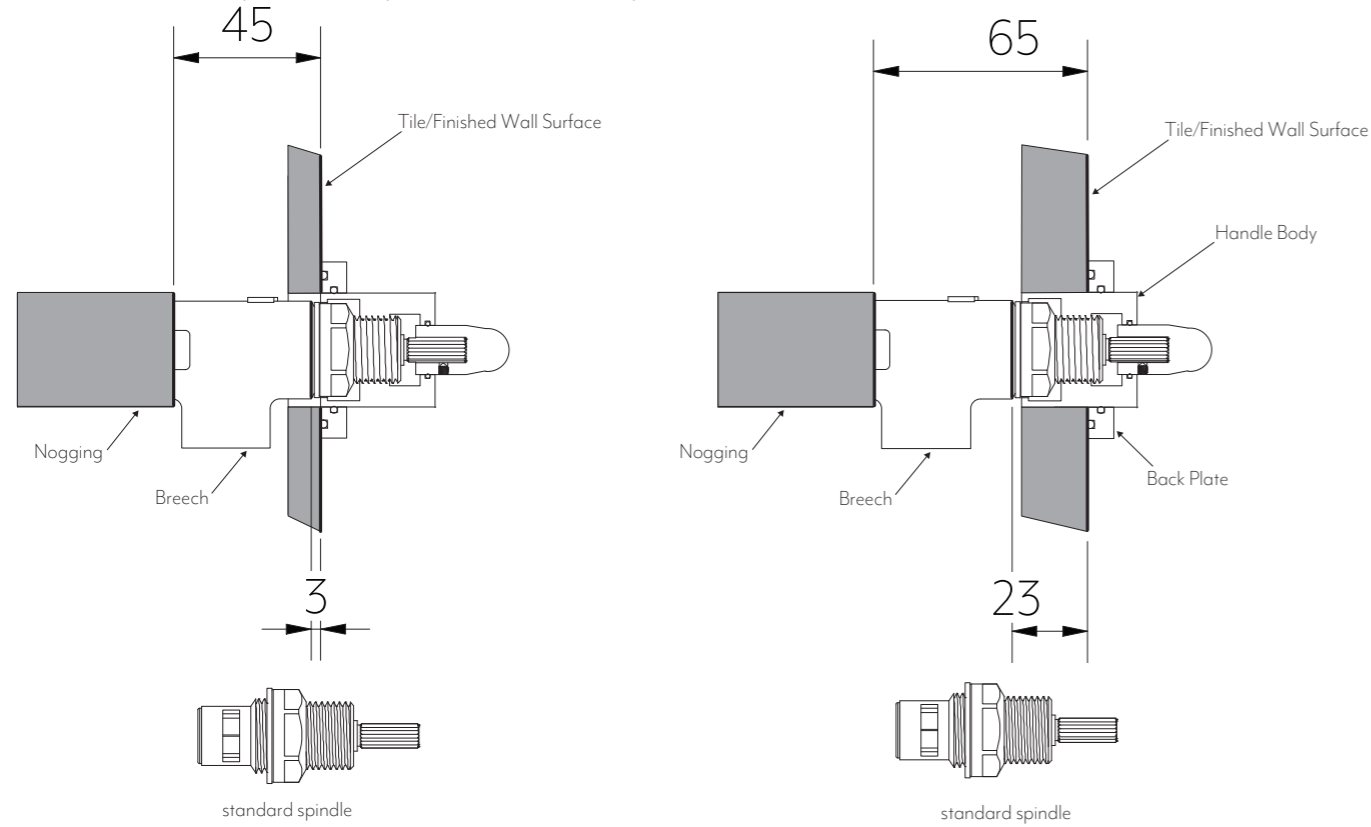


DO NOT use cleaning pads with abrasive surfaces as this may scratch the material

SET BACK GUIDE

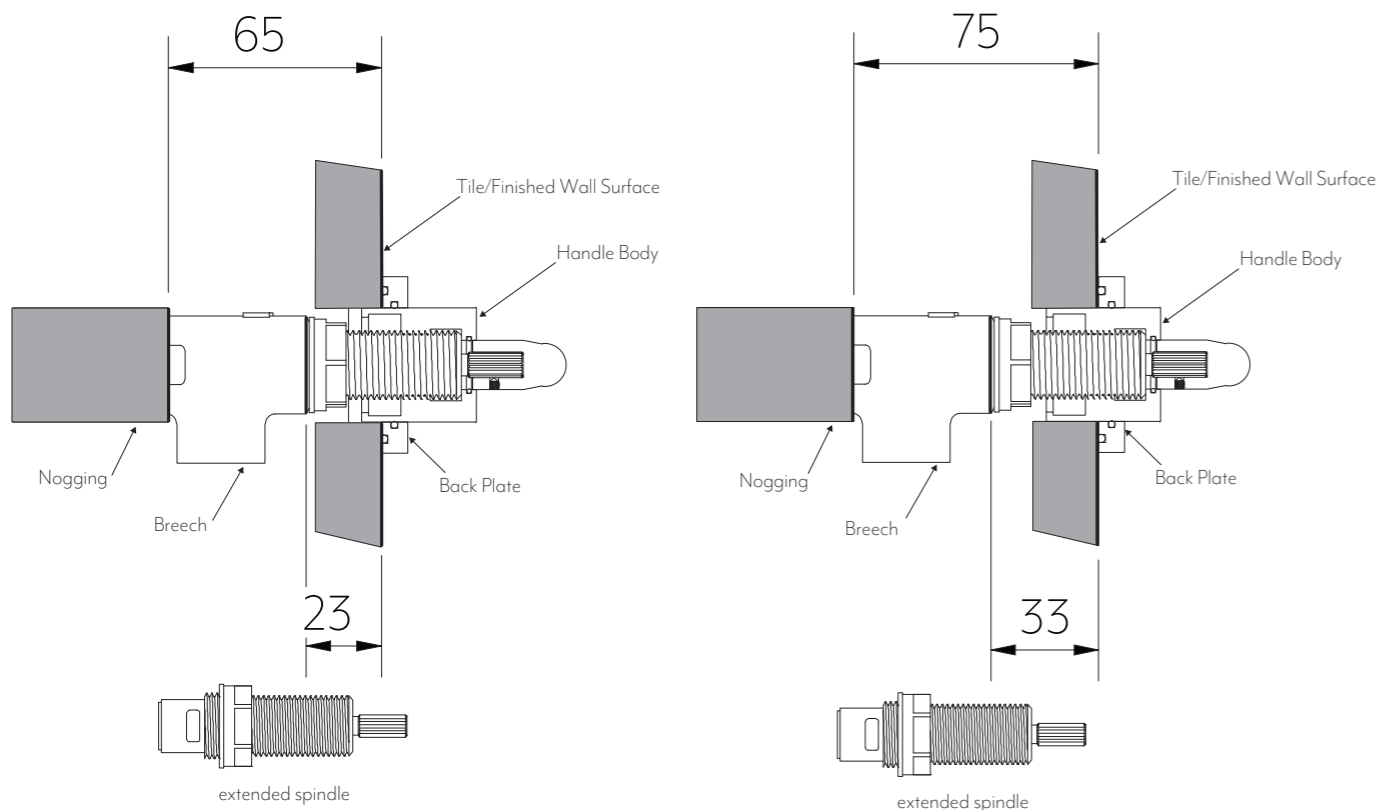
Note: This product must be installed by a licensed plumber.

The set back of the wall breach and distance of the nogging to tile or finished wall surface will dictate the necessary extension parts that will be required for install.



Minimum distance between nogging and finished wall surface is 45mm (or 3mm from in-wall breach to finished wall surface).

In the instance of a thicker finished wall surface, to achieve a distance of 45mm to 65mm from nogging to finished wall surface a standard spindle can continue to be used, however spacing from handle body to back plate will be decreased.



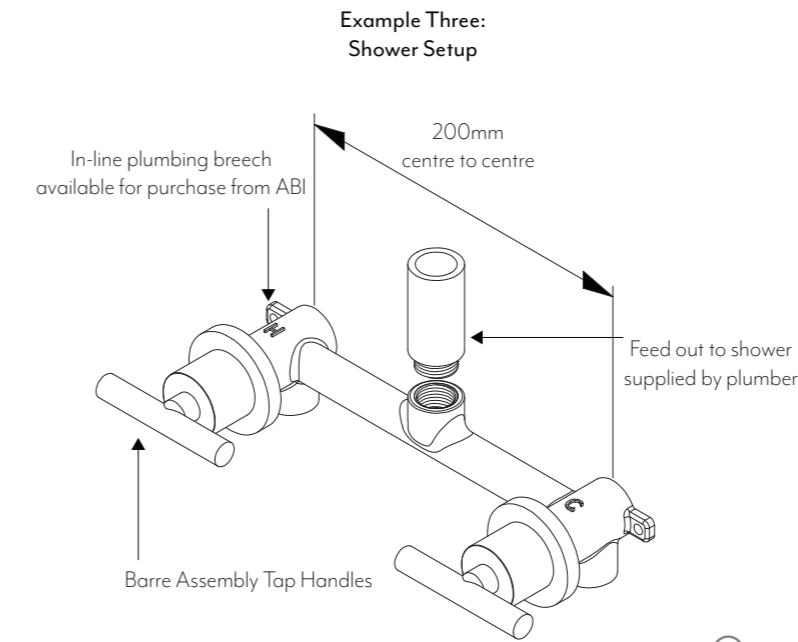
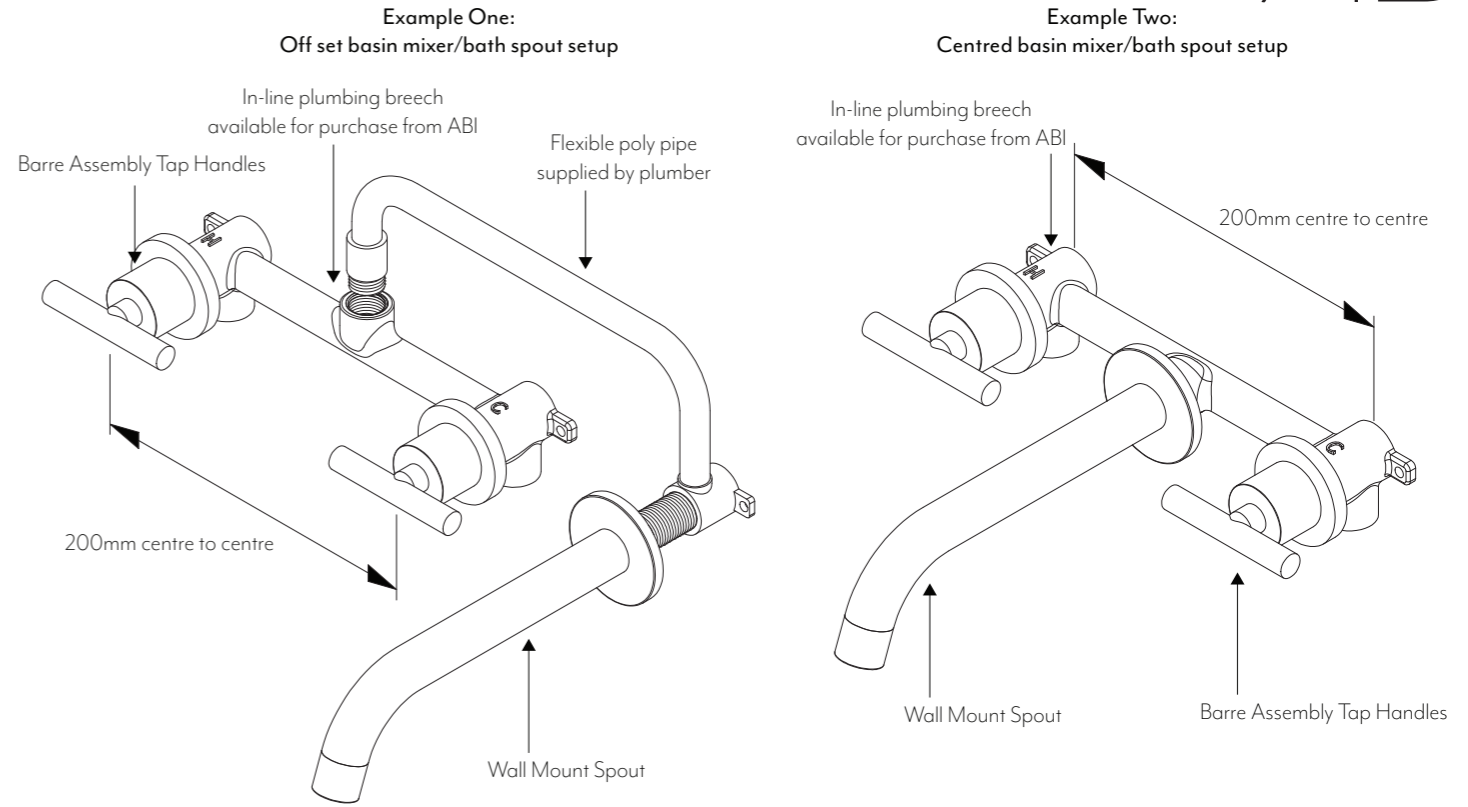
For installations when distance between nogging and finished wall surface is 65mm, and a larger set back from handle body to back plate is preferred, an extended spindle can be used (available for additional purchase).

For distances 65mm up to 75mm between nogging and finished wall surface, an extended spindle is required. Set back from handle body to backplate will be decreased as wall cavity increases.

ASSEMBLY SETUP GUIDE

Note: This product must be installed by a licensed plumber.

This is a general installation guide - there are many factors that are involved that can alter the installation method. This product install must comply with AS/NZS 3500.



WHAT'S IN THE BOX

1. Spindle x 2
2. Spindle Locking Nut x 2
3. Back plate x 2
4. Handle Body x 2
5. Handle x 2
6. Grub Screw x 2
7. Allen Key x 1

