

DISCLAIMER: IF WANTING TO PAINT OR STAIN, PULL WILL REQUIRE SEALING.

Note: Dimensions are nominal measurements only

| SPECIFICATIONS | |
|----------------------------|--------------------------|
| RECOMMENDED USE | Domestic |
| CONSTRUCTION | Ash wood |
| MOUNTING HARDWARE INCLUDED | Yes |
| SCREW / BOLT TYPE | M4*25mm |
| HOLE DISTANCE | 50 mm (centre to centre) |

CABINETY HANDLE INSTALLATION GUIDE

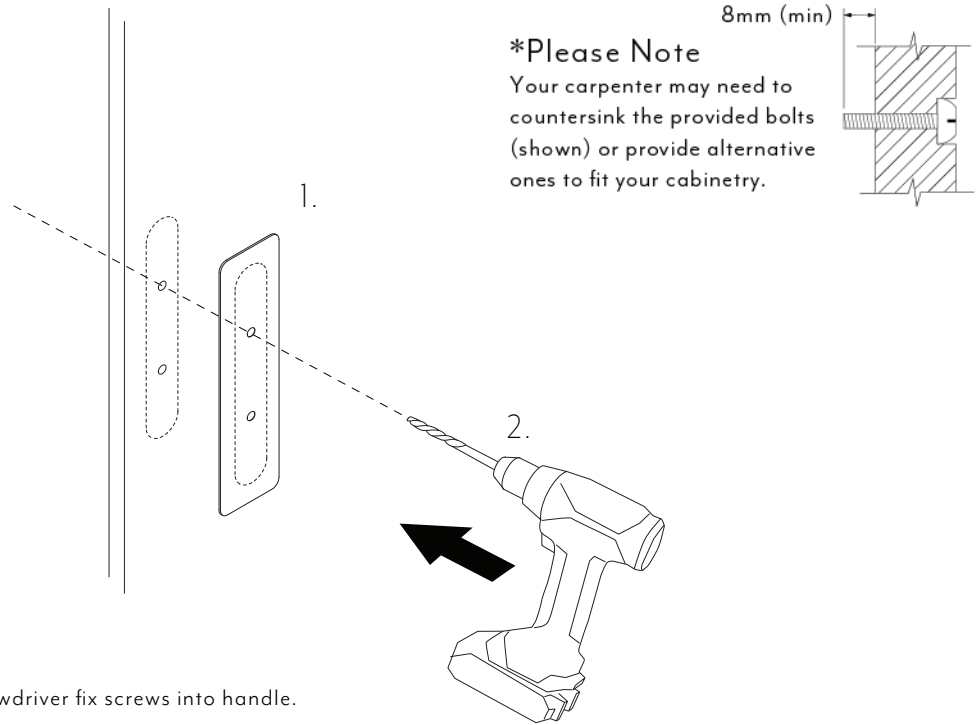


Note: This product must be installed by a licensed tradesperson.

This is a general installation guide - there are many factors that are involved that can alter the installation method.

1. Using the template provided mark out the desired position for handle on both sides of door/drawer panel.
2. Drill prescribed holes through door/drawer panel for handle fixings.

Note: Gauge drill bit using hole sizes in template.



2. Using a Phillips head screwdriver fix screws into handle.

