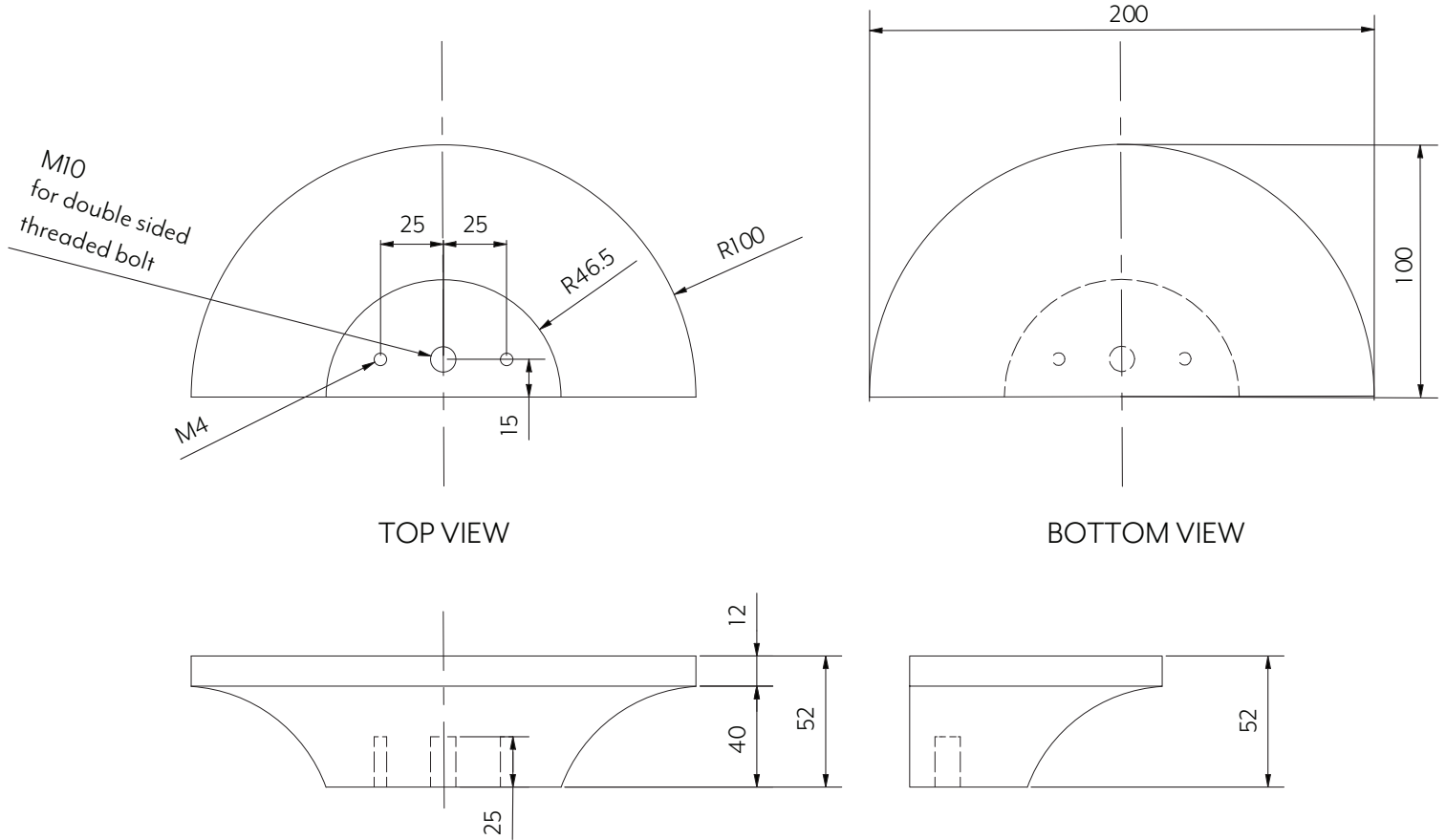




# HEGMAN HALF MOON PULL 200MM



**DISCLAIMER: HANDLES SOLD SEPARATELY. TWO HANDLES WILL NEED TO BE PURCHASED TO BE USED ON BOTH SIDES OF DOOR. IF WANTING TO PAINT OR STAIN, PULL WILL REQUIRE SEALING.**

**Note:** Dimensions are nominal measurements only

## SPECIFICATIONS

RECOMMENDED USE

Domestic

CONSTRUCTION

Ash wood

MOUNTING HARDWARE INCLUDED

Yes

SCREW / BOLT TYPE

M4\*25mm & M10\*80mm

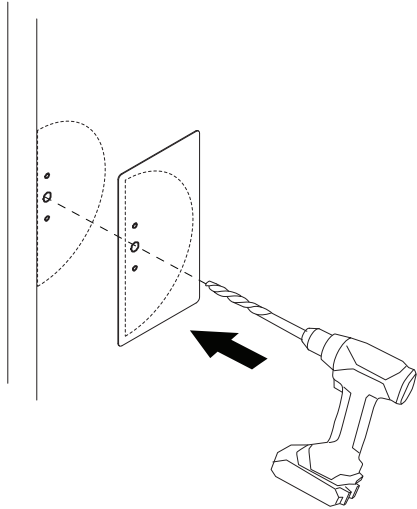
# DOOR HANDLE INSTALLATION GUIDE



**Note:** This product must be installed by a licensed tradesperson.  
This is a general installation guide - there are many factors that are involved that can alter the installation method.

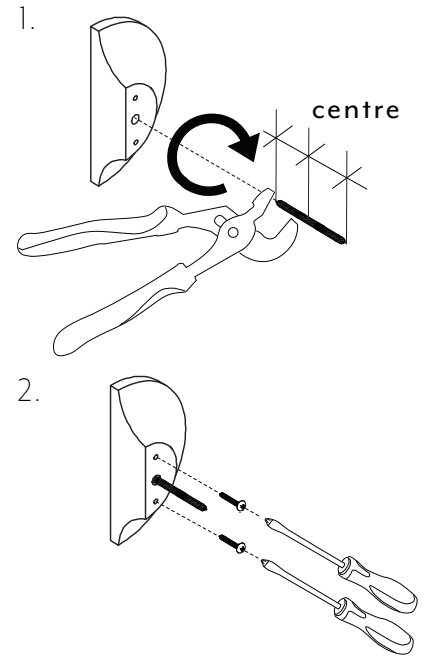
1. Using the template provided mark out the desired position for handle on both sides of door.

2. Drill prescribed holes through door for handle fixings  
**Note:** Gauge drill bit using hole sizes in template.

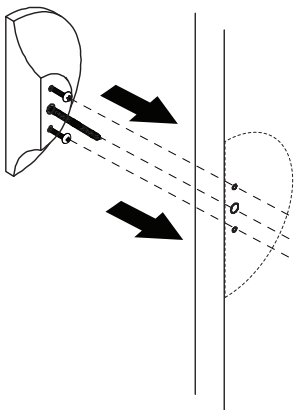


2. Using multi grips fasten threaded bolt into handle.  
**Note:** Fasten at centre of threaded bolt to ensure thread ends won't damage.

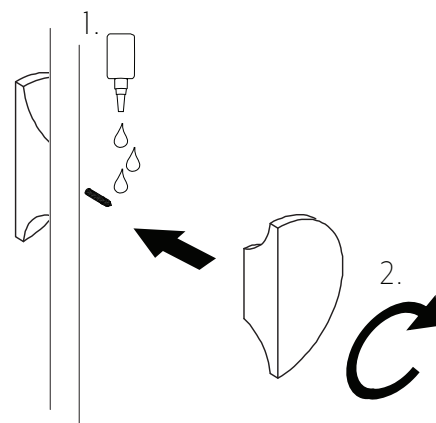
2. Using a Phillips head screwdriver fix screws into handle.


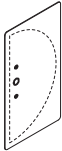




3. Mount handle by inserting bolt and screws through drilled holes.



4. 1. Apply thread lock adhesive glue to threaded rod end.  
2. Screw remaining handle onto bolt until handle is flat and firm against door.



IN THE BOX			
	4x Screws		
		1x Template	2x Handles
	1x Threaded Bolt		

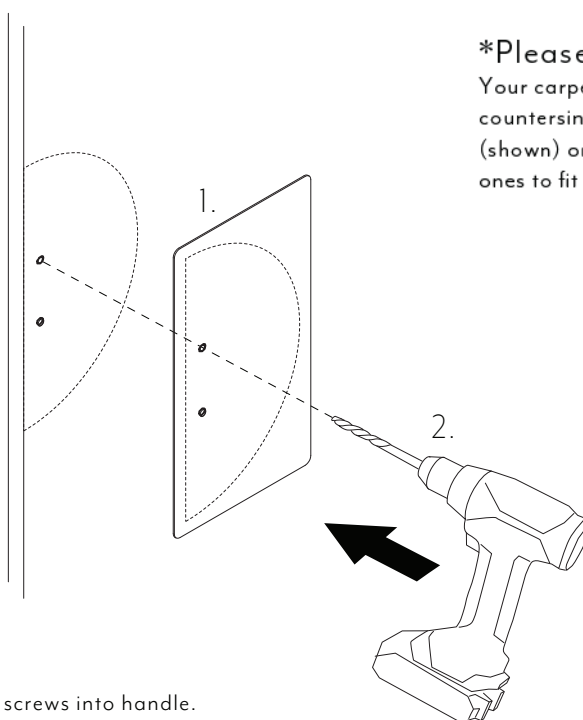
# CABINETY HANDLE INSTALLATION GUIDE



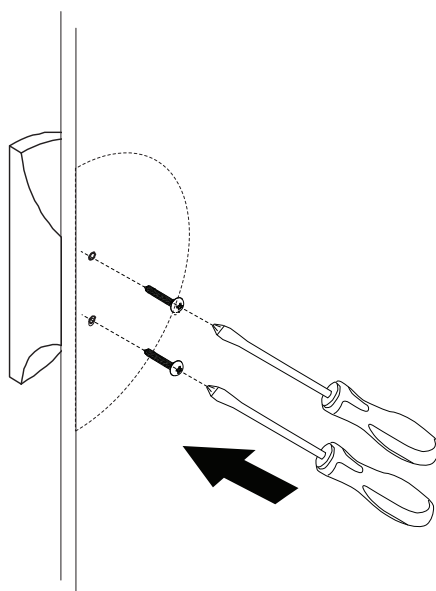
**Note:** This product must be installed by a licensed tradesperson.  
This is a general installation guide - there are many factors that are involved that can alter the installation method.


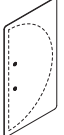


1. Using the template provided mark out the desired position for handle on both sides of door/drawer panel.
2. Drill prescribed holes through door/drawer panel for handle fixings.

**Note:** Gauge drill bit using hole sizes in template.



2. Using a Phillips head screwdriver fix screws into handle.



IN THE BOX			
	4x Screws	1x Template	2x Handles
			
	1x Threaded Bolt		