

DISCLAIMER: HANDLES SOLD SEPARATELY. TWO HANDLES WILL NEED TO BE PURCHASED TO BE USED ON BOTH SIDES OF DOOR. IF WANTING TO PAINT OR STAIN, PULL WILL REQUIRE SEALING.

Note: Dimensions are nominal measurements only

SPECIFICATIONS

RECOMMENDED USE

Domestic

CONSTRUCTION

Ash wood

MOUNTING HARDWARE INCLUDED

Yes

SCREW / BOLT TYPE

M4*25mm & M10*80mm

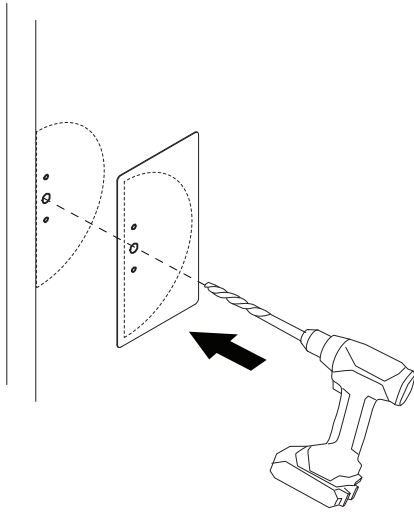
DOOR HANDLE INSTALLATION GUIDE



Note: This product must be installed by a licensed tradesperson.
This is a general installation guide - there are many factors that are involved that can alter the installation method.

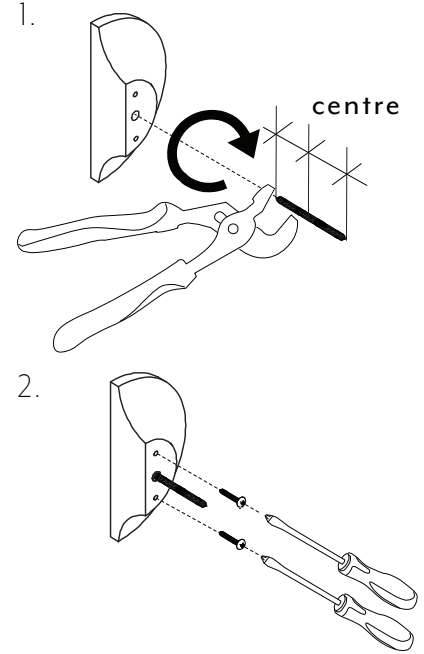
1. Using the template provided mark out the desired position for handle on both sides of door.

2. Drill prescribed holes through door for handle fixings
Note: Gauge drill bit using hole sizes in template.

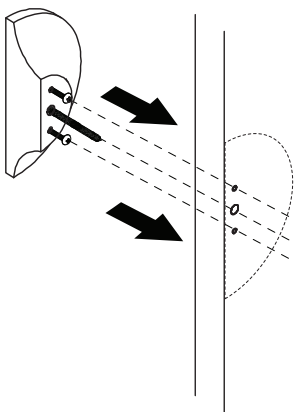


2. Using multi grips fasten threaded bolt into handle.
Note: Fasten at centre of threaded bolt to ensure thread ends won't damage.

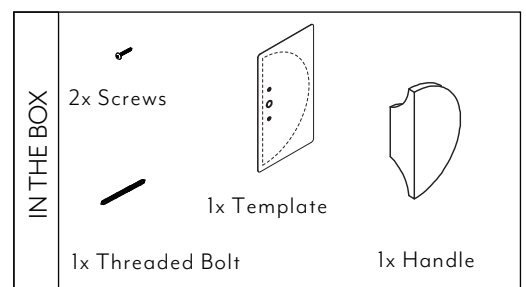
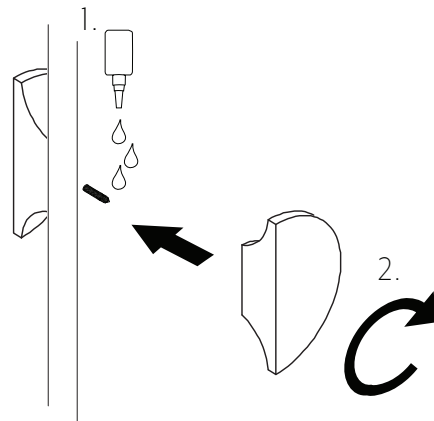
2. Using a Phillips head screwdriver fix screws into handle.



3. Mount handle by inserting bolt and screws through drilled holes.



4. 1. Apply thread lock adhesive glue to threaded rod end.
2. Screw remaining handle onto bolt until handle is flat and firm against door.

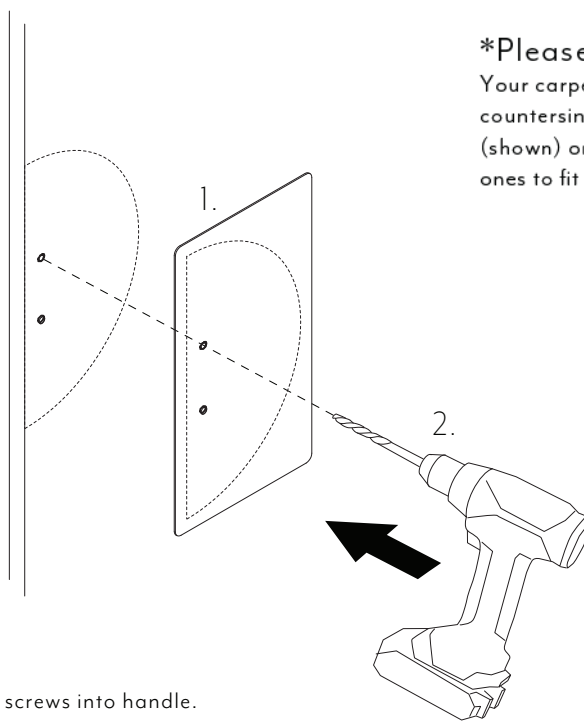


CABINETY HANDLE INSTALLATION GUIDE



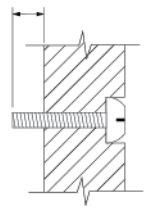
Note: This product must be installed by a licensed tradesperson.
This is a general installation guide - there are many factors that are involved that can alter the installation method.

1. Using the template provided mark out the desired position for handle on both sides of door/drawer panel.
2. Drill prescribed holes through door/drawer panel for handle fixings.
- Note:** Gauge drill bit using hole sizes in template.

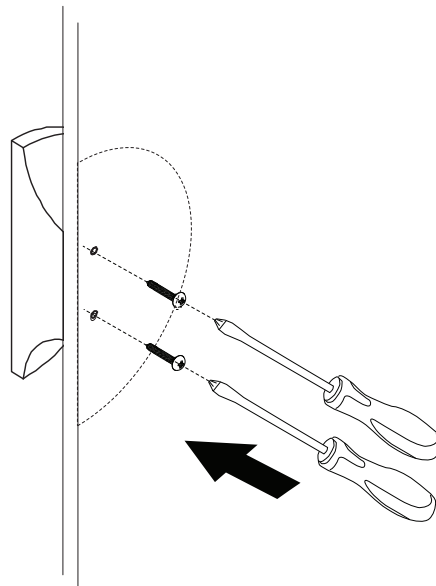






*Please Note

Your carpenter may need to countersink the provided bolts (shown) or provide alternative ones to fit your cabinetry.



2. Using a Phillips head screwdriver fix screws into handle.



IN THE BOX			
	2x Screws	1x Template	
		1x Threaded Bolt	1x Handle