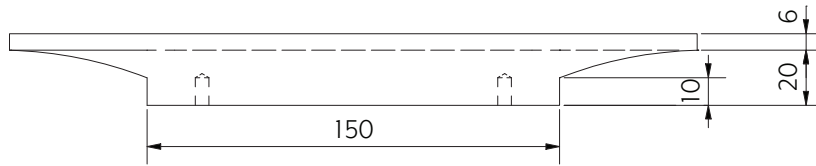
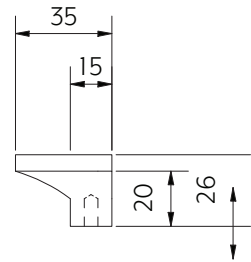


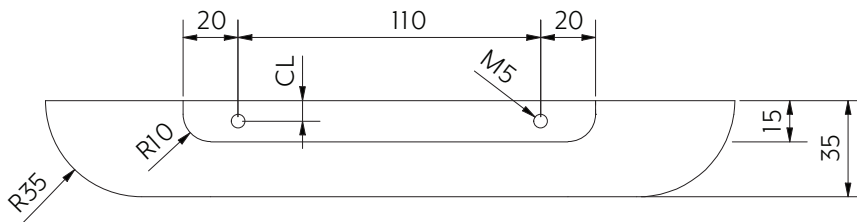
TOP VIEW



SIDE VIEW



SIDE VIEW



BOTTOM VIEW

DISCLAIMER: IF WANTING TO PAINT OR STAIN, PULL WILL REQUIRE SEALING.

Note: Dimensions are nominal measurements only

SPECIFICATIONS

RECOMMENDED USE

Domestic

CONSTRUCTION

Ash wood

MOUNTING HARDWARE INCLUDED

Yes

SCREW / BOLT TYPE

M4*25mm

HOLE DISTANCE

154 mm (centre to centre)

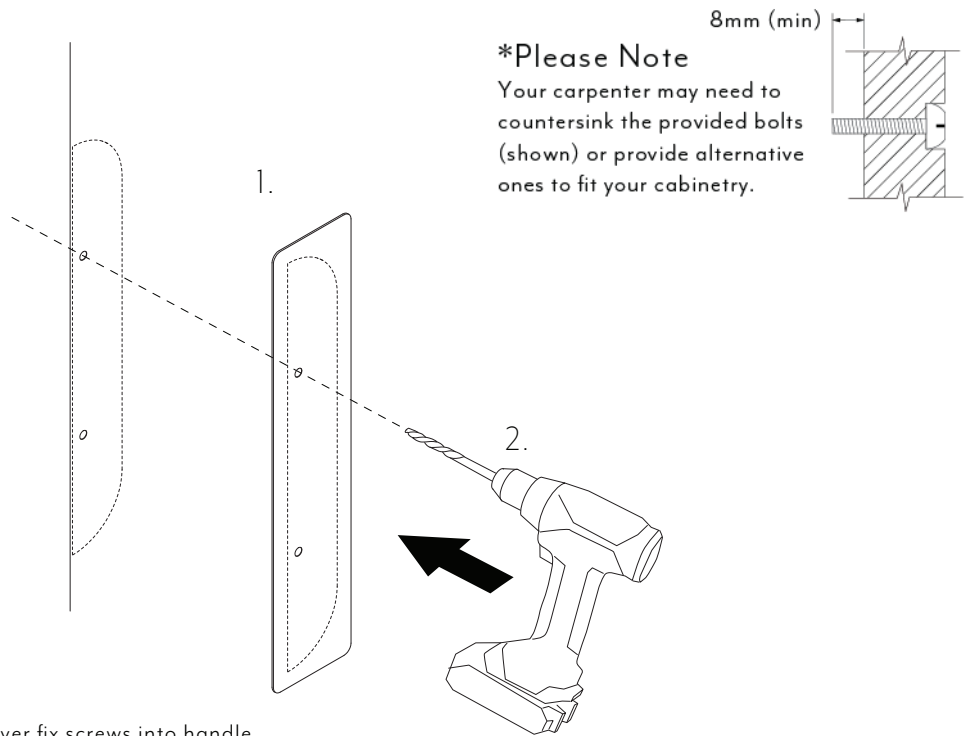
CABINETY HANDLE INSTALLATION GUIDE



Note: This product must be installed by a licensed tradesperson.
This is a general installation guide - there are many factors that are involved that can alter the installation method.

1. Using the template provided mark out the desired position for handle on both sides of door/drawer panel.
2. Drill prescribed holes through door/drawer panel for handle fixings.

Note: Gauge drill bit using hole sizes in template.



2. Using a Phillips head screwdriver fix screws into handle.

