

**DISCLAIMER: HANDLES SOLD SEPARATELY. TWO HANDLES WILL NEED TO BE PURCHASED TO BE USED ON BOTH SIDES OF DOOR. IF WANTING TO PAINT OR STAIN, PULL WILL REQUIRE SEALING.**

**Note:** Dimensions are nominal measurements only

### SPECIFICATIONS

#### RECOMMENDED USE

Domestic

#### CONSTRUCTION

Ash wood

#### MOUNTING HARDWARE INCLUDED

Yes

#### SCREW / BOLT TYPE

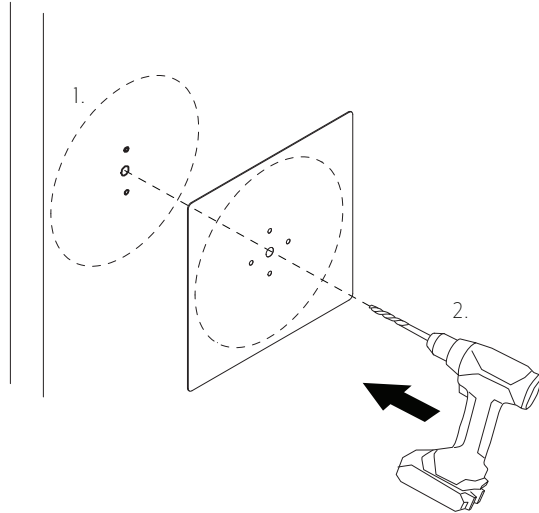
M4\*25mm & M10\*80mm

# DOOR HANDLE INSTALLATION GUIDE

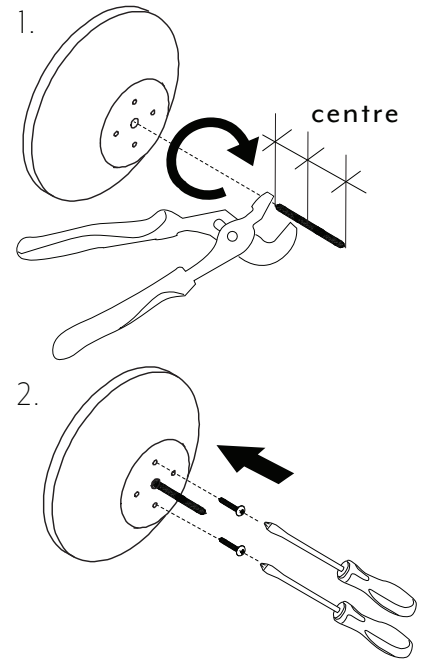


**Note:** This product must be installed by a licensed tradesperson.  
This is a general installation guide - there are many factors that are involved that can alter the installation method.

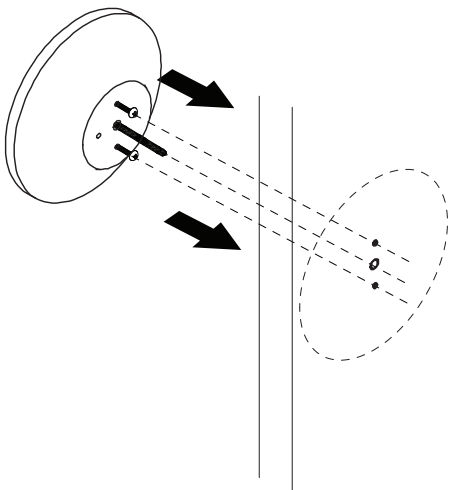
- 1**
1. Using the template provided mark out the desired position for handle on both sides of door.
  2. Drill prescribed holes through door for handle fixings
- Note:** Gauge drill bit using hole sizes in template.



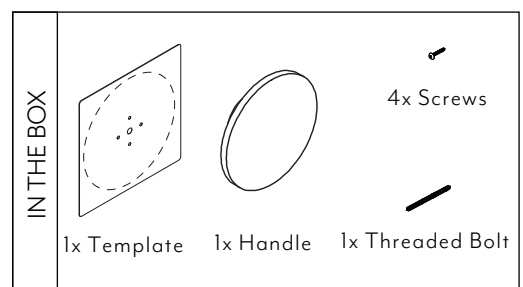
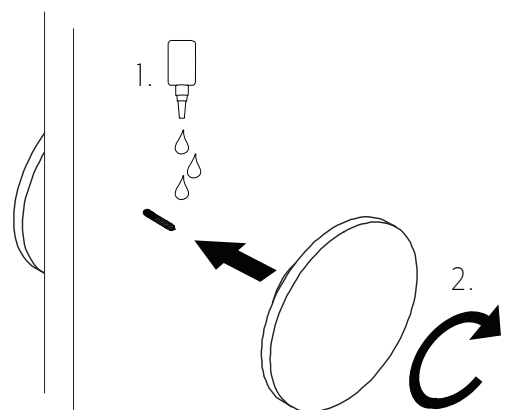
- 2**
1. Using multi grips fasten threaded bolt into handle.  
**Note: Fasten at centre of threaded bolt to ensure thread ends won't damage.**
  2. Using a Phillips head screwdriver fix screws into handle.



- 3**
1. Mount handle by inserting bolt and screws through drilled holes.



- 4**
1. Apply thread lock adhesive glue to threaded rod end.
  2. Screw remaining handle onto bolt until handle is flat and firm against door.



# CABINETY HANDLE INSTALLATION GUIDE

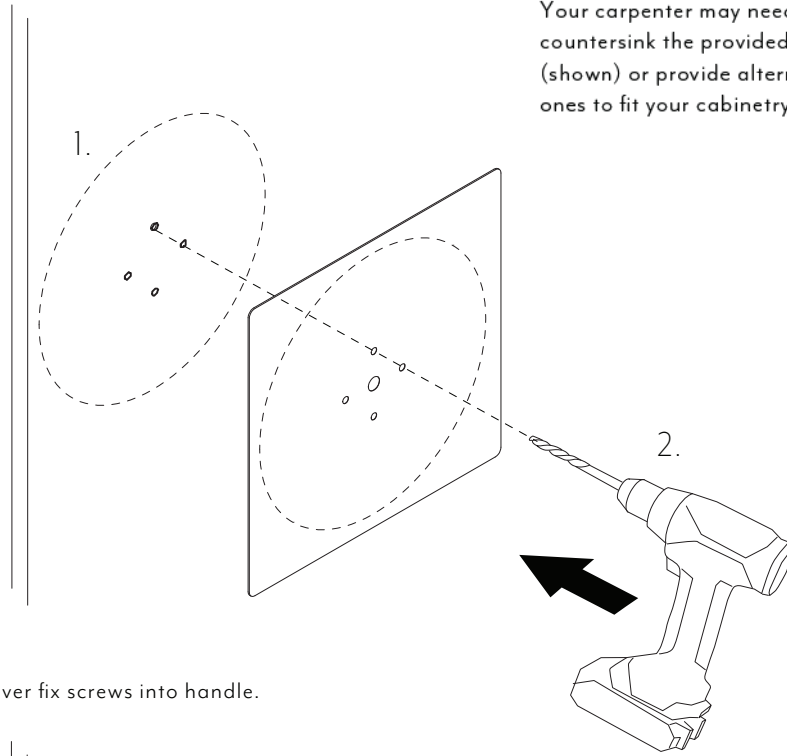
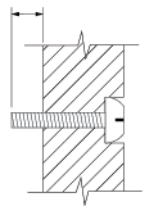


**Note:** This product must be installed by a licensed tradesperson.  
This is a general installation guide - there are many factors that are involved that can alter the installation method.

1. Using the template provided mark out the desired position for handle on both sides of door/drawer panel.
2. Drill prescribed holes through door/drawer panel for handle fixings.

**Note:** Gauge drill bit using hole sizes in template.

**\*Please Note**  
Your carpenter may need to countersink the provided bolts (shown) or provide alternative ones to fit your cabinetry.



2. Using a Phillips head screwdriver fix screws into handle.

