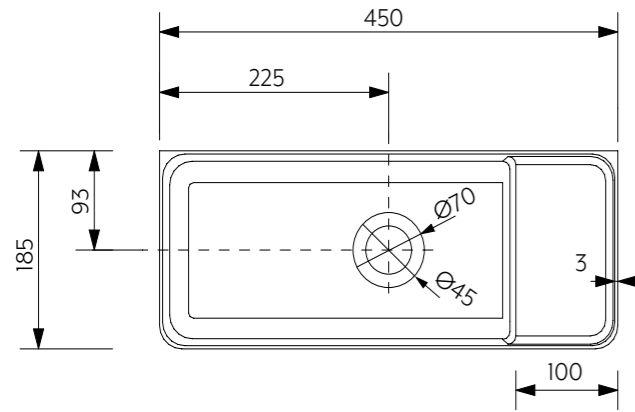
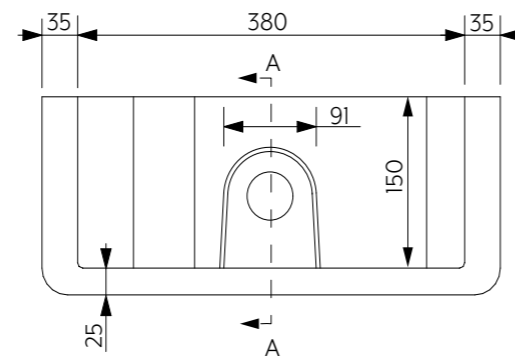


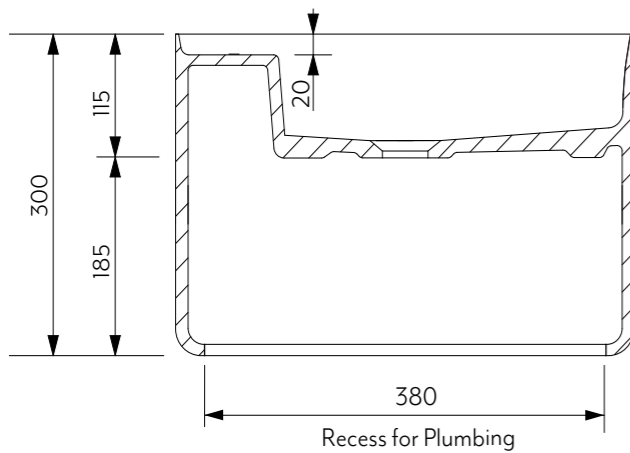
This product must be installed by a licensed tradesperson
This is a general installation guide - there are many factors that are involved that can alter the installation method.



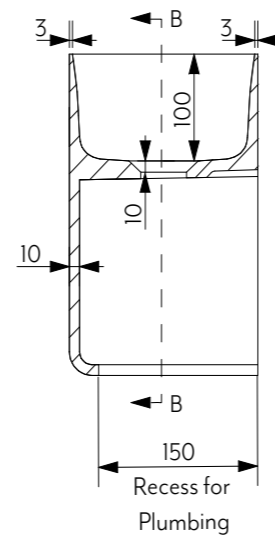
Top View



Bottom View



Recess for Plumbing



Recess for Plumbing

Note: Dimensions are nominal measurements only

SPECIFICATIONS

RECOMMENDED USE

Domestic

COLOUR AVAILABILITY

Matte White

MATERIAL

Solid Surface

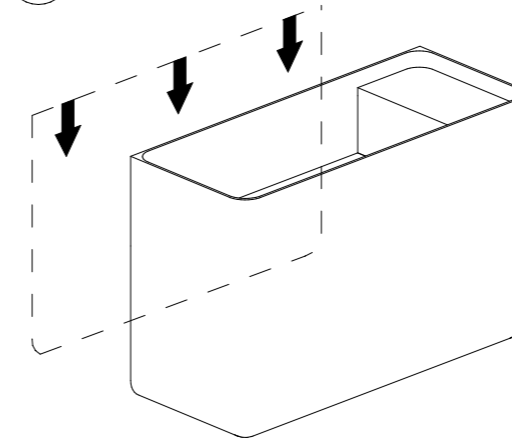
INSTALLATION

Wall Mounted
*To be used with a bench mounted mixer or a spout with reach less than 100mm

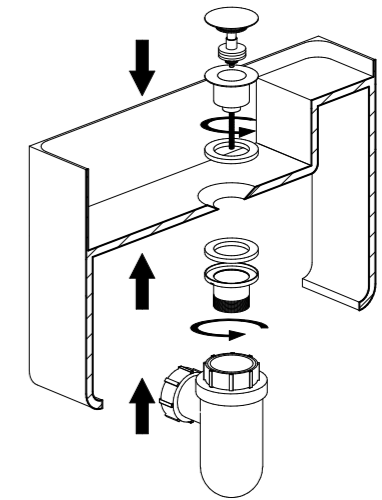
OVERFLOW

N/A

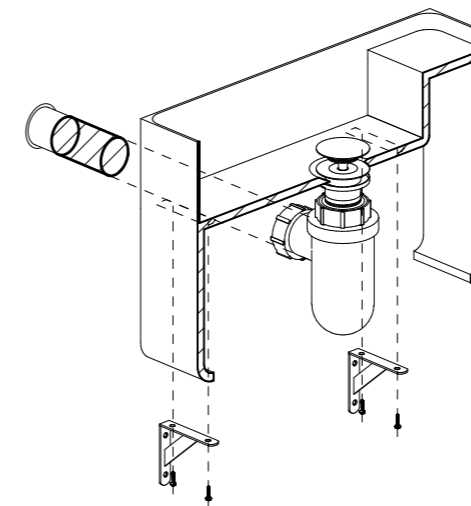
1 Check the desired height of basin from floor.



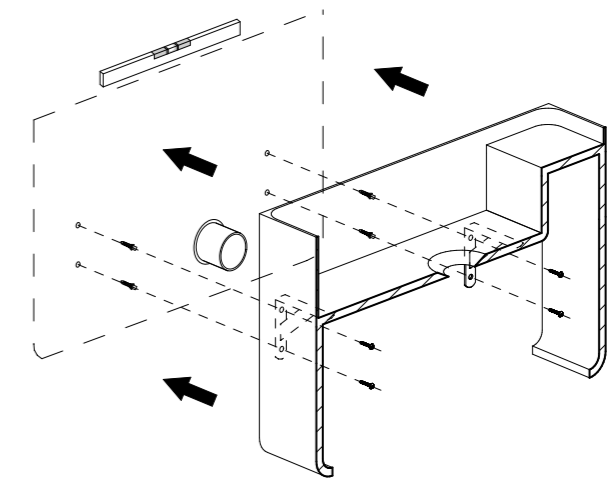
2 Fit pop up waste and trap to basin.



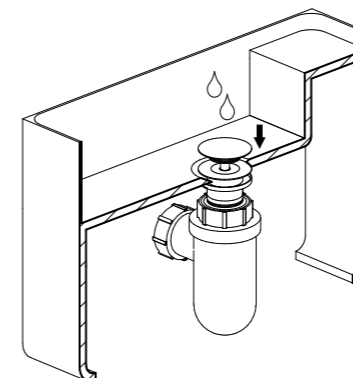
3 Fit brackets to underside of basin using fixings provided.
Hold basin against wall aligning outlet of trap with waste pipe & cut waste to suit trap.



4 If correct height and position is suitable, level the top of the basin & mark out desired position.
Drill bracket holes and insert wall plugs. Fix basin wall through brackets with fixings provided.



5 Secure plumbing to basin and wall. Test by running water through the waste and pushing plug down.



6 Silicone top and sides of basin if necessary.

