

Note: Dimensions are nominal measurements only

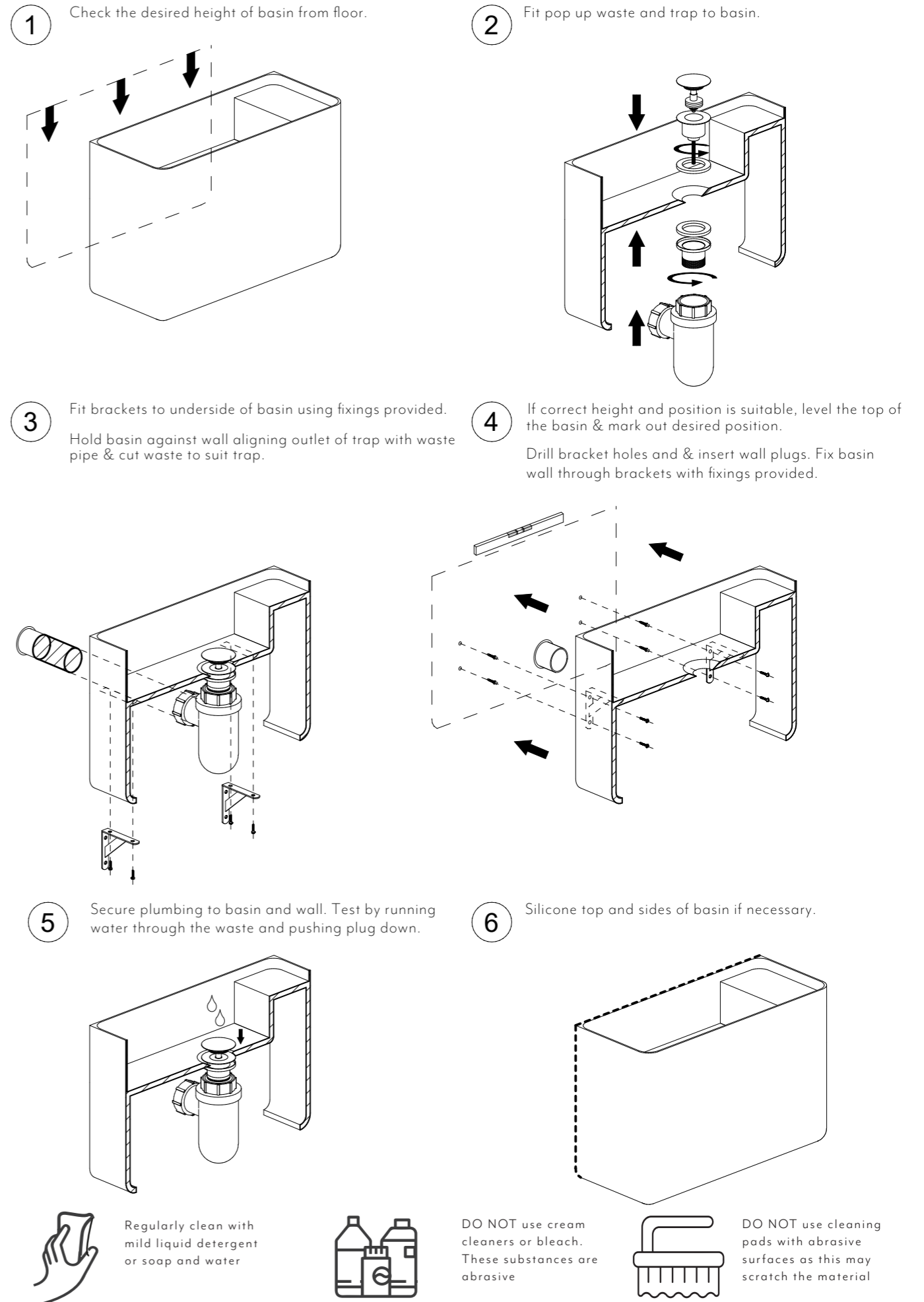
SPECIFICATIONS

RECOMMENDED USE	Domestic
MATERIAL	Solid Surface
INSTALLATION	Wall Mount
OVERFLOW	No
CAPACITY	5.8L
RIM THICKNESS	3mm
COMPATIBLE WITH	Recommended to be used with a bench mounted mixer or a spout with reach of 110mm or less.

Disclaimer: Products in this manual must by law be installed by licensed and registered tradespeople in accordance with the relevant standards. ABI and the manufacturer/distributor reserve the right to vary specifications or delete models from their range without prior notification. Dimensions are nominal measurements only. The information listed is correct at the time of publication, however ABI and the manufacturer/distributor takes no responsibility for printing errors. Copyright © ABI Interiors 2021

INSTALLATION GUIDE

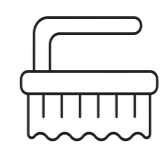
Note: This product must be installed by a licensed plumber. This is a general installation guide - there are many factors that are involved that can alter the installation method. This product install must comply with AS/NZS 3500.



Regularly clean with mild liquid detergent or soap and water



DO NOT use cream cleaners or bleach. These substances are abrasive



DO NOT use cleaning pads with abrasive surfaces as this may scratch the material