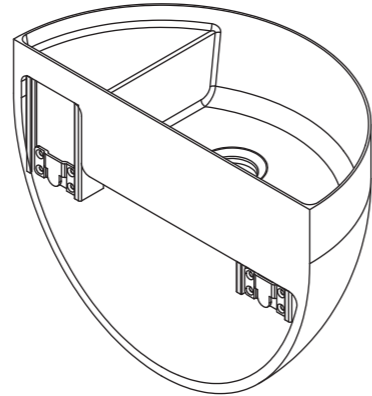
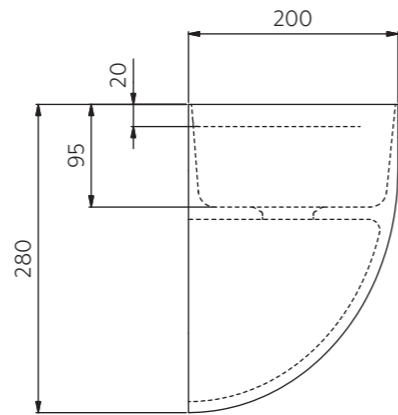
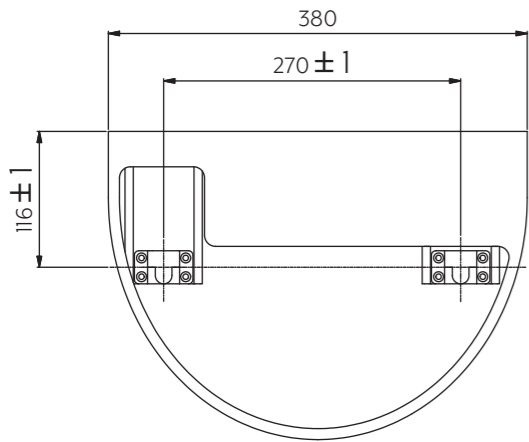


TOP VIEW



ISOMETRIC VIEW



Note: Dimensions are nominal measurements only

SPECIFICATIONS

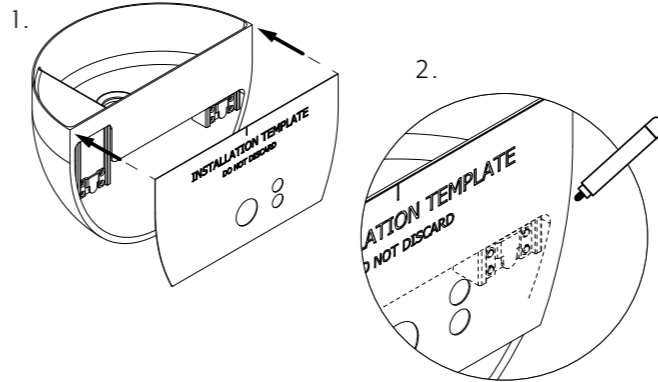
RECOMMENDED USE	Domestic
COLOUR AVAILABILITY	Matte White
MATERIAL	Solid Surface
INSTALLATION	Wall Mounted *To be used with a bench mounted mixer or a spout
OVERFLOW	N/A
WASTE	Concealed Waste

Disclaimer: Products in this specification manual must by regulation be installed by licensed and registered trade people. The manufacturer/distributor reserves the right to vary specifications or delete models from their range without prior notification. Dimensions are nominal measurements only. Dimensions and set-outs listed are correct at time of publication however the manufacturer/distributor takes no responsibility for printing errors. All ABI Products are designed in Australia. Copyright ABI Interiors Pty Ltd 2021.

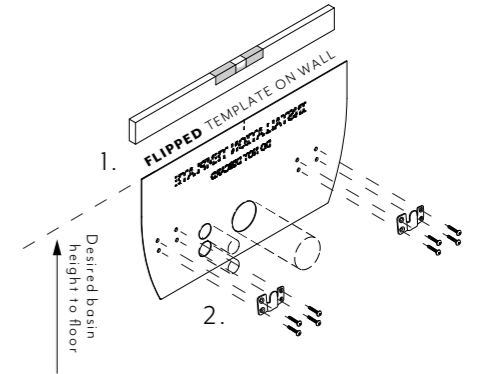
INSTALLATION GUIDE

This product must be installed by a licensed tradesperson
This is a general installation guide - there are many factors that are involved that can alter the installation method.

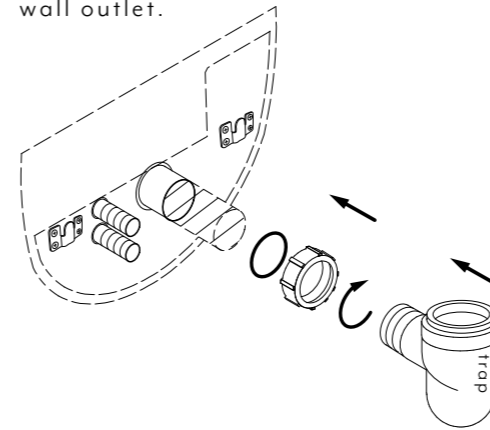
1. Mark your template.
1. Align template over the basin (as shown). Ensure tops edges are level.
2. Mark the bracket screw centres



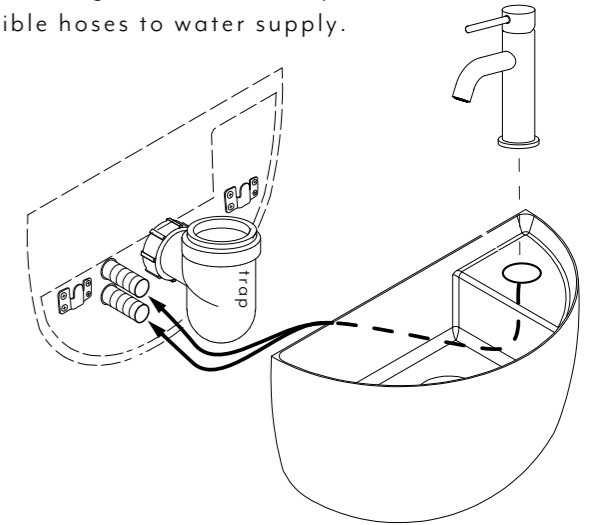
2. FLIP and place the template in the desired location on the wall. Use a level to aid, mark the hole centres.
2. Remove template and attach the brackets using the appropriate fixing screws.



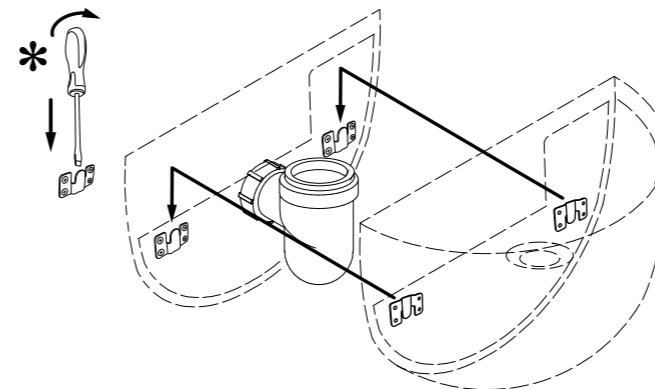
3. Allow 45mm pipe projection from finished wall material. Secure micro trap provided to wall outlet.



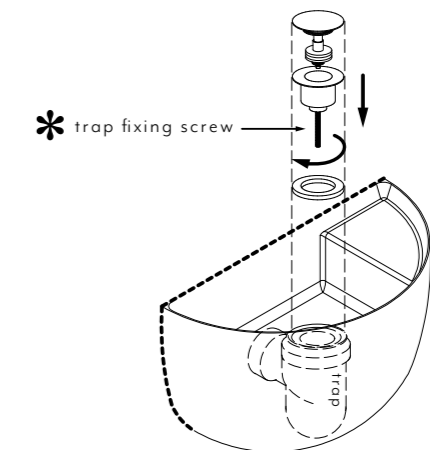
4. If mounting basin mixer or spout attach flexible hoses to water supply.



4. Push and lower basin into mounted position.
***Note:** If brackets are not locking into place, open bracket by flexing the tongue with a screwdriver.

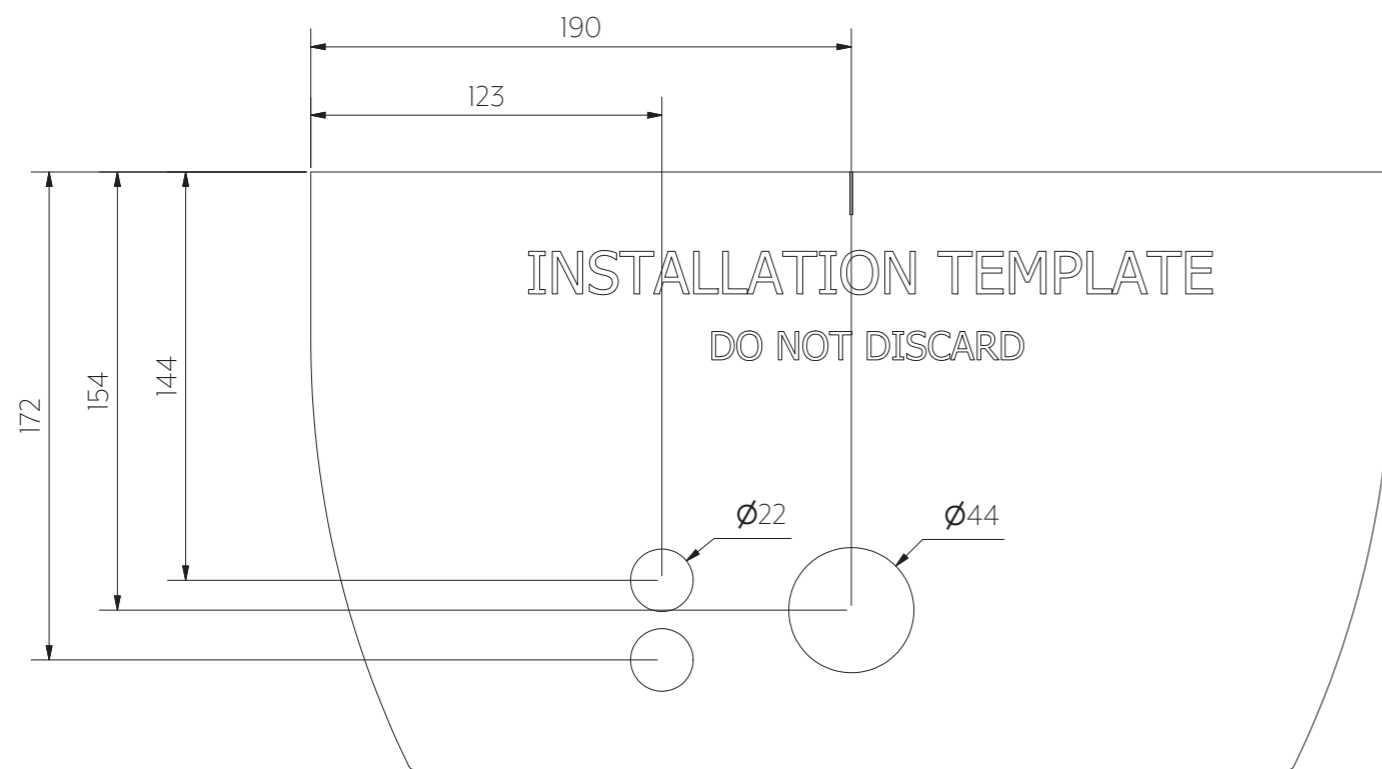


5. Fit top section of pop up waste to trap of basin waste.
***Note:** Use trap fixing screw for pop up waste installation. Test by running water through the waste and pushing plug down.



***To access trap.** Remove trap fixing screw, lift basin off brackets.

IN THE BOX	
	1 x basin
	1 x template
	1 x trap
	2 x brackets
	8 x screws



Front View (1 : 2)

*Pipe locations are recommendations,
the locations may differ

Note: Dimensions are nominal measurements only