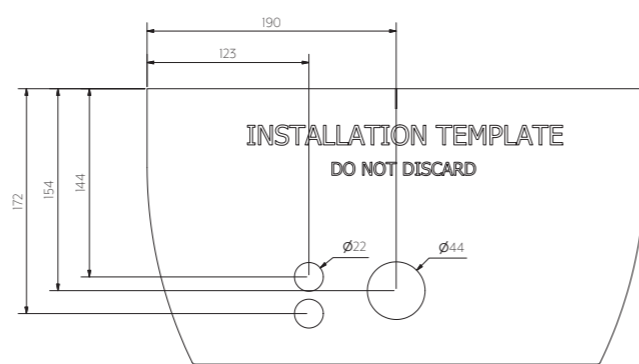
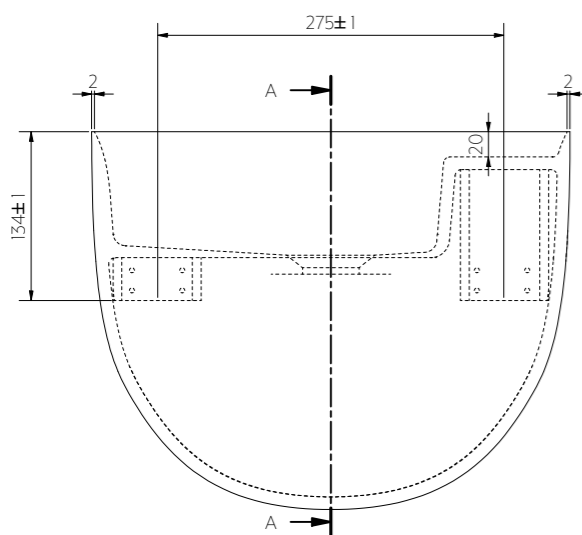


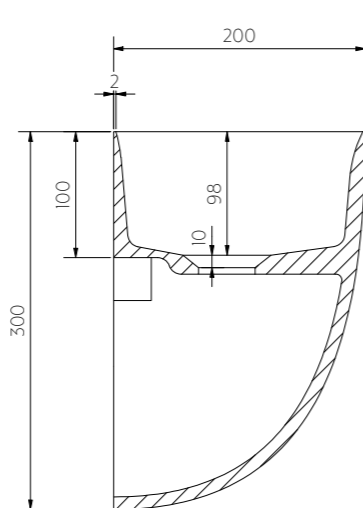
Top View



*Pipe locations are recommendations, the locations may differ.



Front View



A-A

Note: Dimensions are nominal measurements only

SPECIFICATIONS

RECOMMENDED USE

Domestic

MATERIAL

Solid Surface

INSTALLATION

Wall Mount

OVERFLOW

No

CAPACITY

4.2L

RIM THICKNESS

2mm

COMPATIBLE WITH

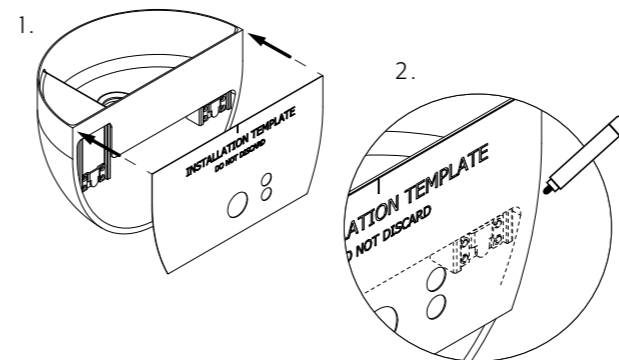
Recommended to be used with a bench mounted mixer or a spout with reach of 110mm or less.

Disclaimer: Products in this manual must by law be installed by licensed and registered tradespeople in accordance with the relevant standards. ABI and the manufacturer/distributor reserve the right to vary specifications or delete models from their range without prior notification. Dimensions are nominal measurements only. The information listed is correct at the time of publication, however ABI and the manufacturer/distributor takes no responsibility for printing errors. Copyright © ABI Interiors 2021

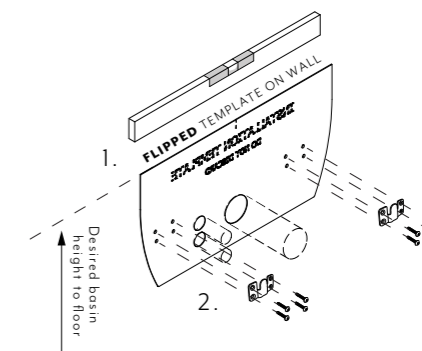
INSTALLATION GUIDE

Note: This product must be installed by a licensed plumber. This is a general installation guide - there are many factors that are involved that can alter the installation method. This product install must comply with AS/NZS 3500.

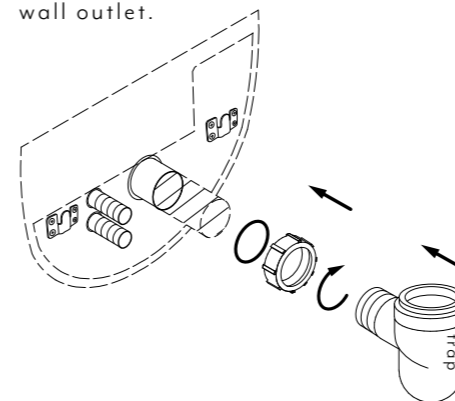
1. Mark your template.
 1. Align template over the basin (as shown). Ensure tops edges are level.
 2. Mark the bracket screw centres



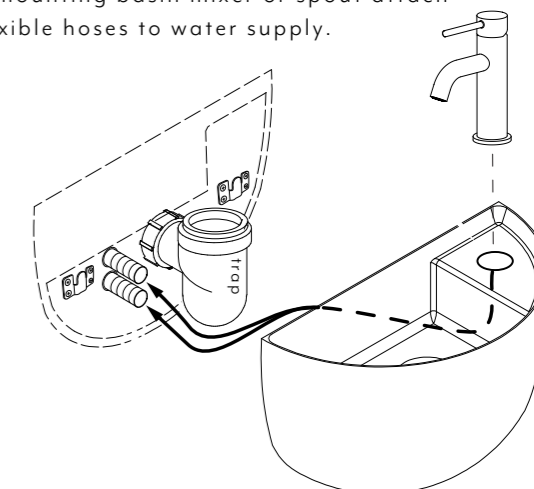
2. FLIP and place the template in the desired location on the wall. Use a level to aid, mark the hole centres.
 2. Remove template and attach the brackets using the appropriate fixing screws.



3. Allow 45mm pipe projection from finished wall material. Secure micro trap provided to wall outlet.

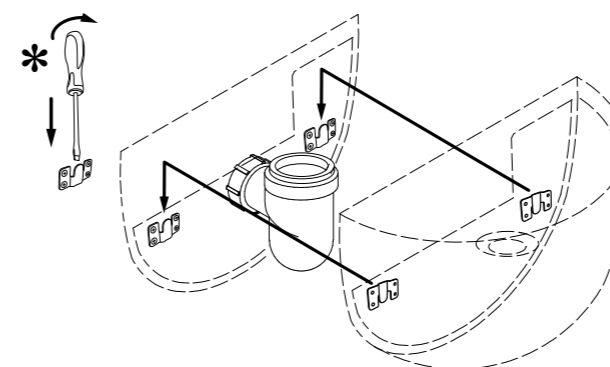


4. If mounting basin mixer or spout attach flexible hoses to water supply.



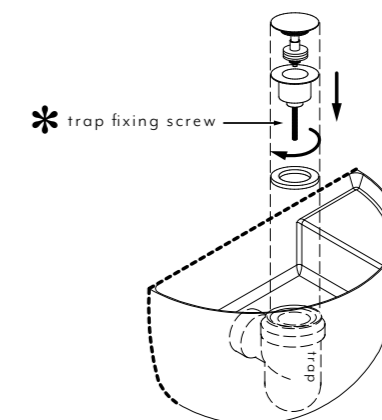
4. Push and lower basin into mounted position.

*** Note:** If brackets are not locking into place, open bracket by flexing the tongue with a screwdriver.



5. Fit top section of pop up waste to trap of basin.

*** Note:** Use trap fixing screw for pop up waste installation. Test by running water through the waste and pushing plug down. Silicon inner perimeter of basin.



IN THE BOX	
	1 x basin
	1 x template
	1 x trap
	2 x brackets
	8 x screws



Regularly clean with mild liquid detergent or soap and water



DO NOT use cream cleaners or bleach. These substances are abrasive



DO NOT use cleaning pads with abrasive surfaces as this may scratch the material