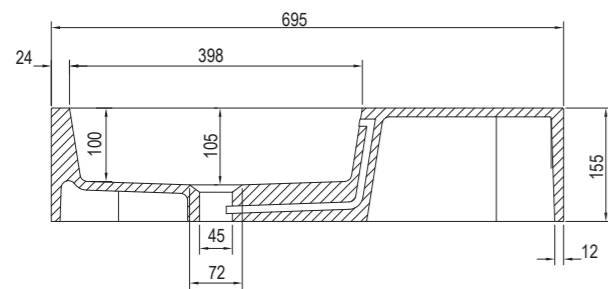
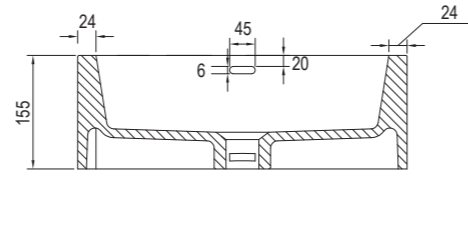


Top View



Section A:A



Section B:B

Note: Dimensions are nominal measurements only

SPECIFICATIONS

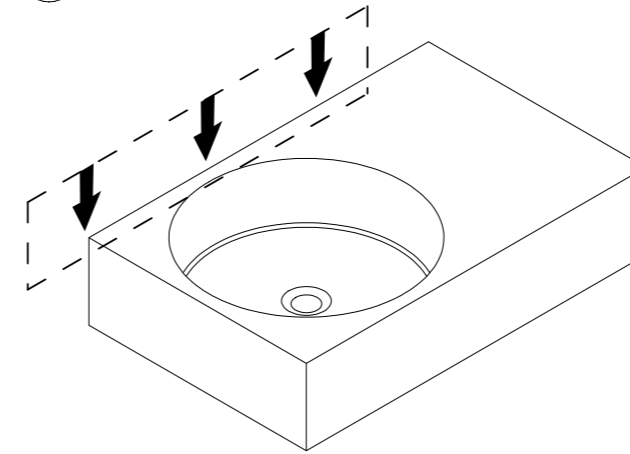
RECOMMENDED USE	Domestic
MATERIAL	Solid Surface
INSTALLATION	Wall Mount
OVERFLOW	Overflow built in - no overflow connectors required.
CAPACITY	8.5L
RIM THICKNESS	24mm
COMPATIBLE WITH	Wall or Bench Mount Spout/Mixer Hole for bench mount to be drilled on site. Note: Water tap hoses are not able to be concealed under basin.

Disclaimer: Products in this manual must by law be installed by licensed and registered tradespeople in accordance with the relevant standards. ABI and the manufacturer/distributor reserve the right to vary specifications or delete models from their range without prior notification. Dimensions are nominal measurements only. The information listed is correct at the time of publication, however ABI and the manufacturer/distributor takes no responsibility for printing errors. Copyright © ABI Interiors 2021

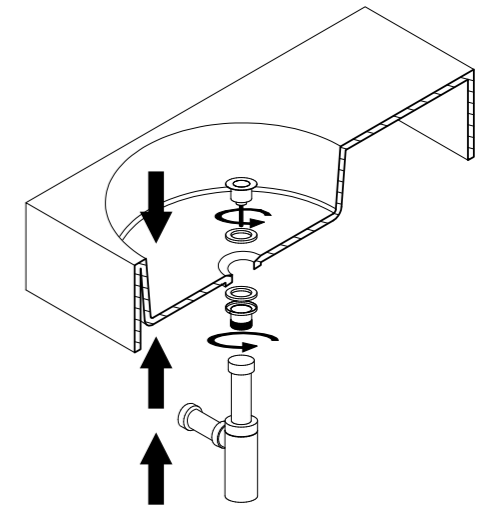
INSTALLATION GUIDE

Note: This product must be installed by a licensed plumber. This is a general installation guide - there are many factors that are involved that can alter the installation method. This product install must comply with AS/NZS 3500.

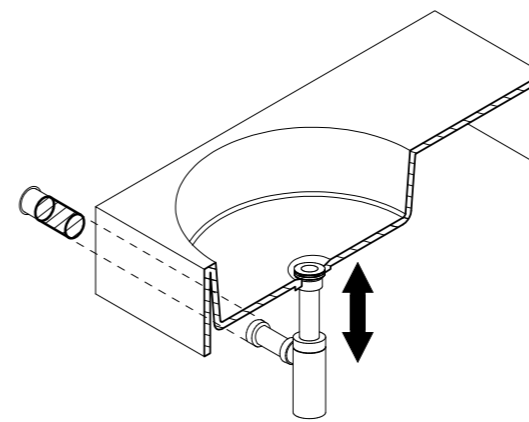
1 Check the desired height of basin from floor.



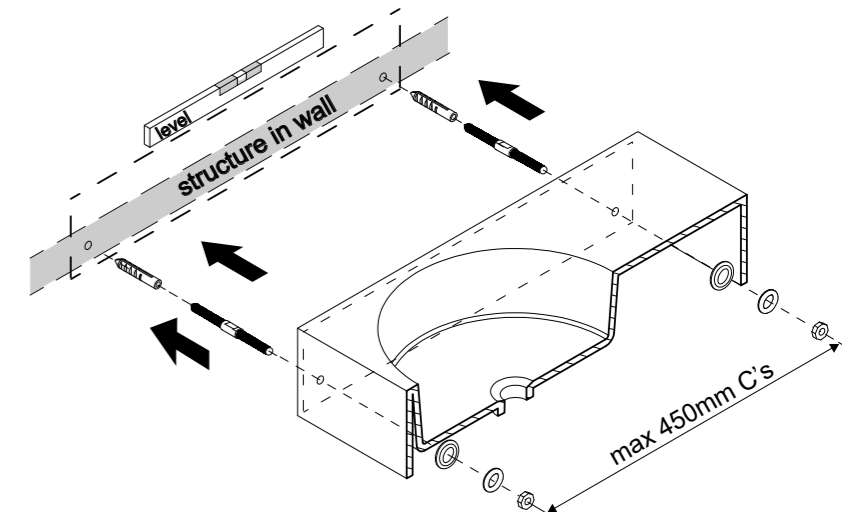
2 Fit waste and trap to basin.



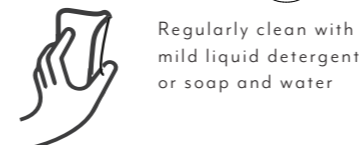
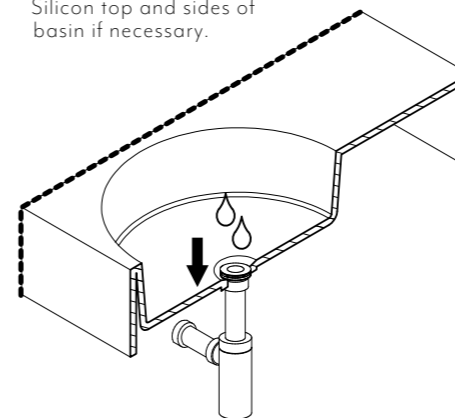
3 Hold basin against wall aligning outlet of trap with waste pipe. Extend telescopic trap up or down to find desired height & cut waste to suit trap.



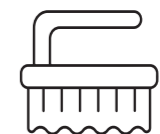
4 If correct height and position is suitable, level the top of the basin & mark out desired position. Drill holes through the back of basin into structure within wall with a wood drill bit at maximum 450mm centres. Fix basin into structural support in wall.



5 Secure plumbing to basin and wall outlet. Test by running water through the waste. Place the cover plate over drain. Silicon top and sides of basin if necessary.



DO NOT use cream cleaners or bleach. These substances are abrasive



DO NOT use cleaning pads with abrasive surfaces as this may scratch the material

IN THE BOX	2 x Wall plug	1 x Basin
	2 x Hanger bolt	2 x Metal washer
	2 x Plastic washer	2 x Nut