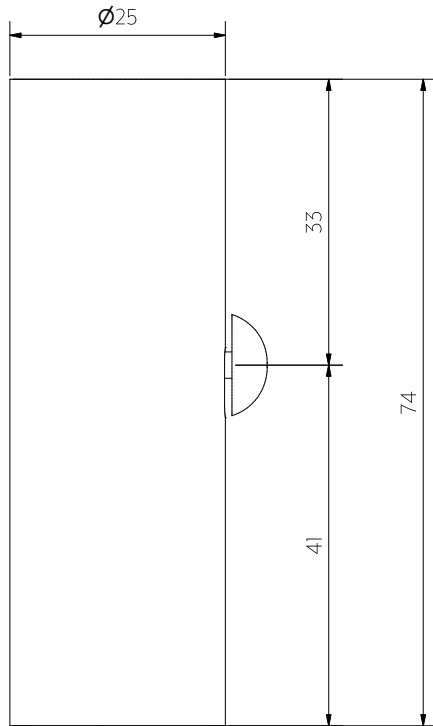
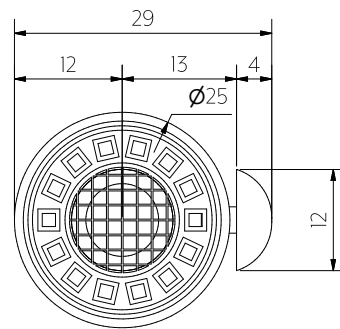




COMMERCIAL PULL OUT SPRAY ATTACHMENT



Front View



Bottom View



Note: Dimensions are nominal measurements only

SPECIFICATIONS

RECOMMENDED USE

Domestic

MATERIAL

304 Stainless Steel

STANDARDS

WELs 5 Star Rating
Registration No, T39815 WM-022852
AS/NZS 3718:2005

TEMPERATURE RATINGS

Maximum continuous working temperature 75°C
If the water exceeds 75°C, an approved tempering valve must be fitted

PRESSURE RATINGS

Recommended minimum working pressure 150kPa
Recommended maximum working pressure 500kPa
Hot and cold water inlet pressure should be equal

SUITABLE FOR HOT WATER UNITS

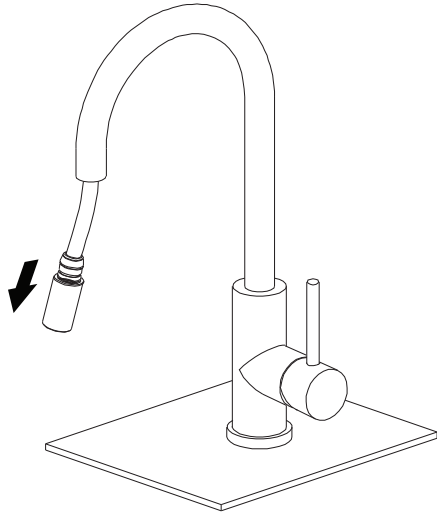
Storage tank: Yes
Continuous flow: Yes
Gravity fed system: Not suitable

INSTALLATION GUIDE

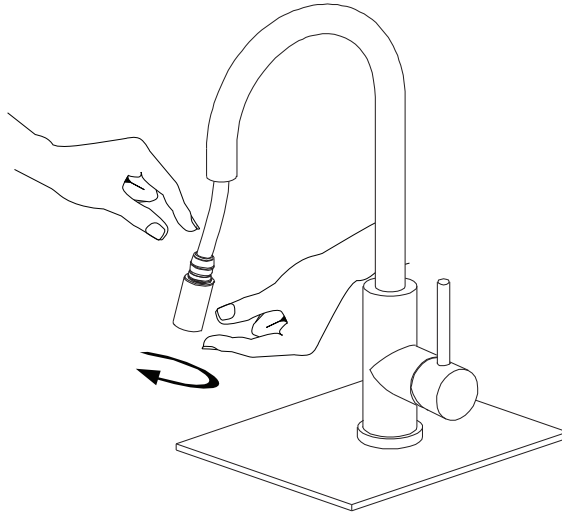
Note: This product must be installed by a licensed plumber.
This is a general installation guide - there are many factors that are involved that can alter the installation method.
This product install must comply with AS/NZS 3500.



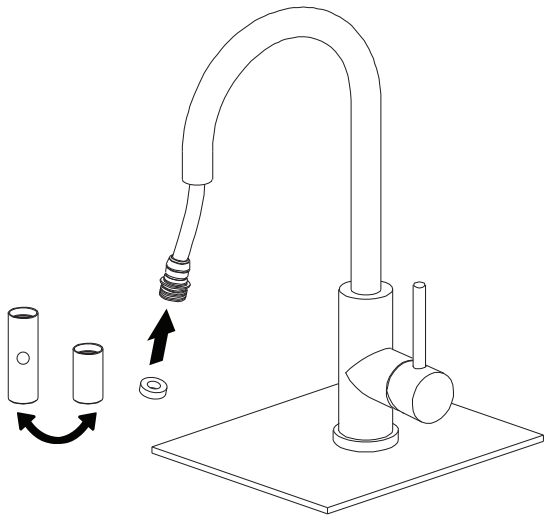
1 Pull nozzle out from mixer.



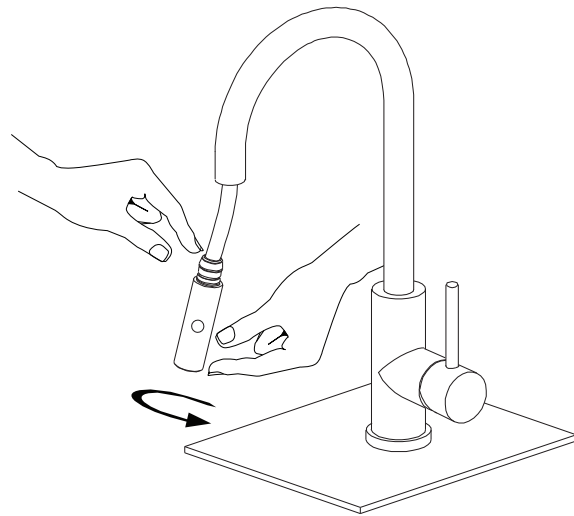
2 Secure hose and unscrew pull-out nozzle to remove. Obtain the O-ring from between the hose and nozzle.



3 1. Insert O-ring into hose.
2. Replace pull out nozzle with spray attachment.



4 Tighten spray attachment onto pull-out hose. O-ring should be in between nozzle and hose.



Regularly clean with mild liquid detergent or soap and water.



DO NOT use cream cleaners or bleach. These substances are abrasive.



DO NOT use cleaning pads with abrasive surfaces as this may scratch the material.

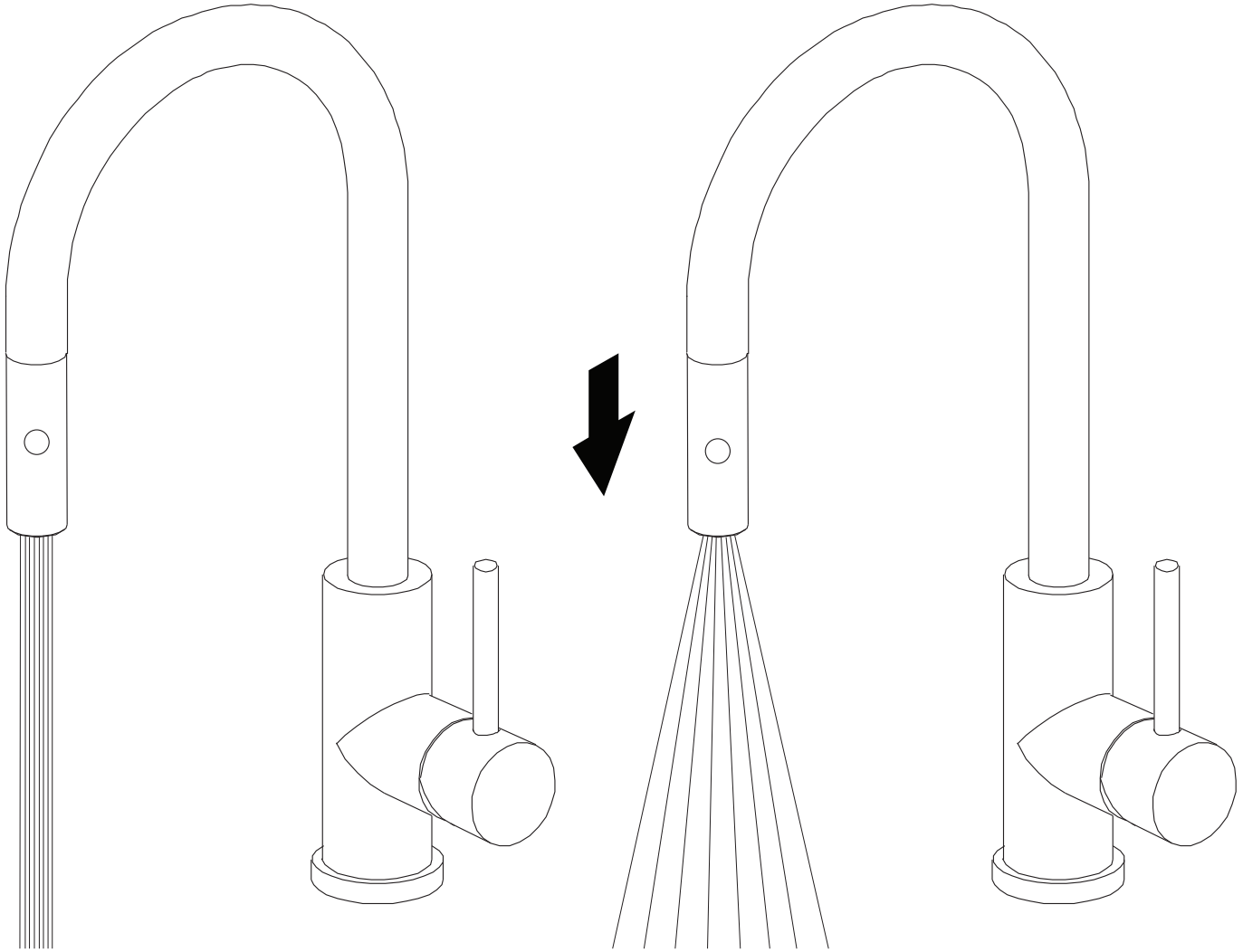
INSTALLATION GUIDE

Note: This product must be installed by a licensed plumber.
This is a general installation guide - there are many factors that are involved that can alter the installation method.
This product install must comply with AS/NZS 3500.



USER GUIDE

* During low pressure use, the switch will automatically shift to neutral position



Neutral Position

Down Position



Regularly clean with mild liquid detergent or soap and water.



DO NOT use cream cleaners or bleach. These substances are abrasive.



DO NOT use cleaning pads with abrasive surfaces as this may scratch the material.