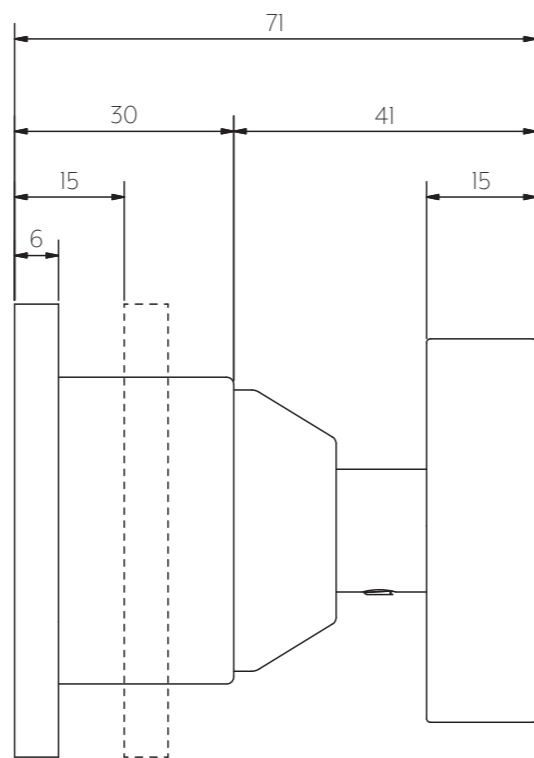
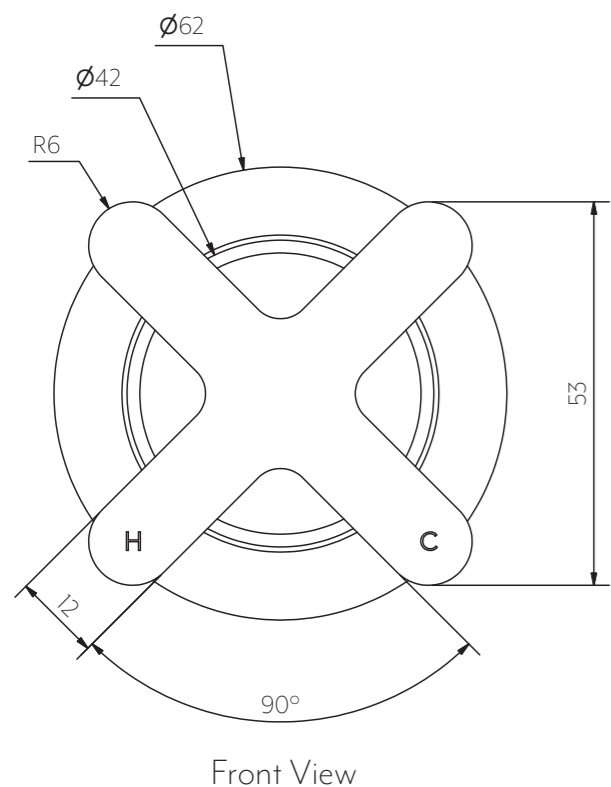




# CROSS PROGRESSIVE HANDLE KIT



**Note:** In-wall not included in handle kit

**Note:** Dimensions are nominal measurements only

## SPECIFICATIONS

### RECOMMENDED USE

Domestic

### CONSTRUCTION

Solid Brass

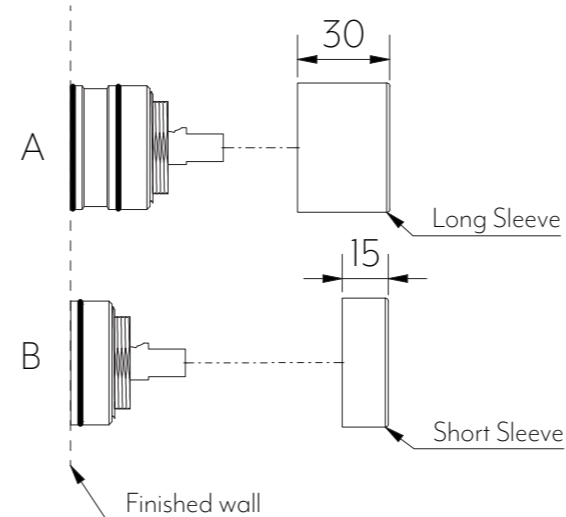
Disclaimer: Products in this manual must by law be installed by licensed and registered tradespeople in accordance with the relevant standards. ABI and the manufacturer/distributor reserve the right to vary specifications or delete models from their range without prior notification. Dimensions are nominal measurements only. The information listed is correct at the time of publication, however ABI and the manufacturer/distributor takes no responsibility for printing errors. Copyright © ABI Interiors Pty Ltd 2021.

## INSTALLATION GUIDE

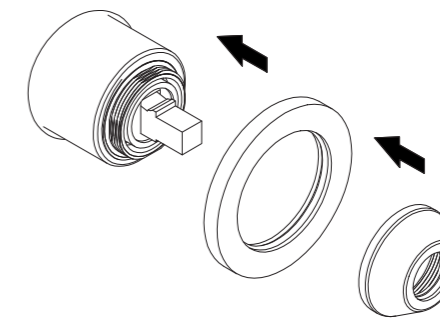
This product must be installed by a licensed plumber. This is a general installation guide - there are many factors that are involved that can alter the installation method. This product install must comply with AS/NZS 3500.

**NOTE:** See Progressive Mixer Body installation guide for In-Wall set out.

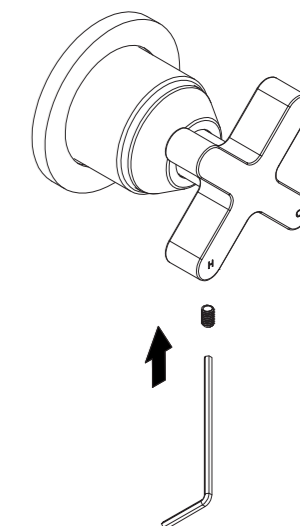
① Choose sleeve based on how far your In-wall protrudes from finish wall and slide on.



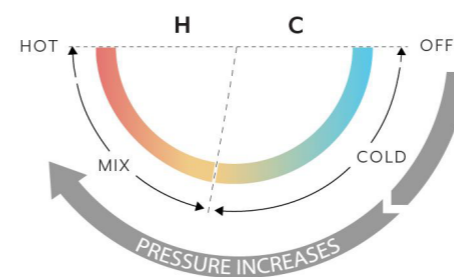
② Slide back plate on. Screw dome on.



③ Tighten grub screw with allen key. Replace grub screw cap.

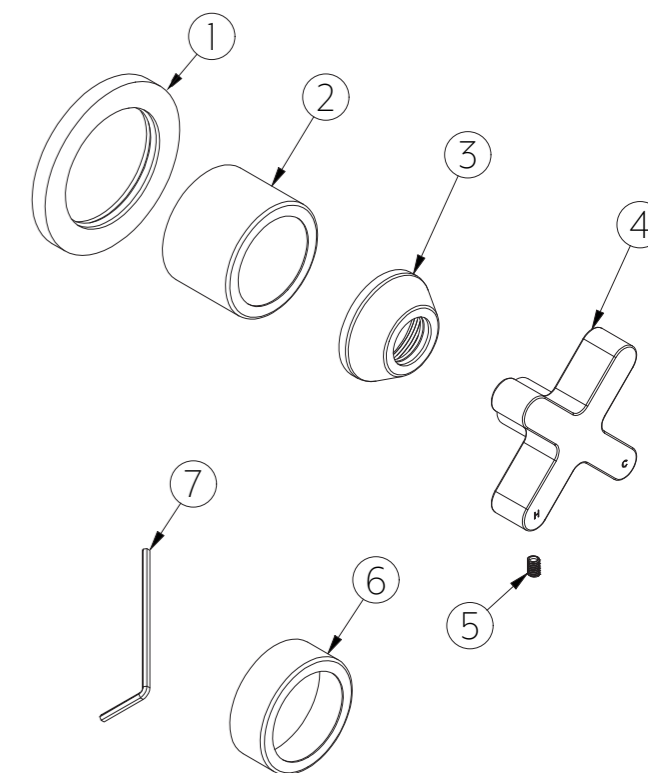


## MIXER OPERATION



## WHAT'S IN THE BOX

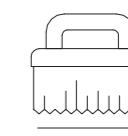
1. Back plate
2. Long sleeve
3. Dome
4. Handle
5. Grub screw
6. Short sleeve
7. Allen key



Regularly clean with mild liquid detergent or soap and water



DO NOT use cream cleaners or bleach. These substances are abrasive



DO NOT use cleaning pads with abrasive surfaces as this may scratch the material