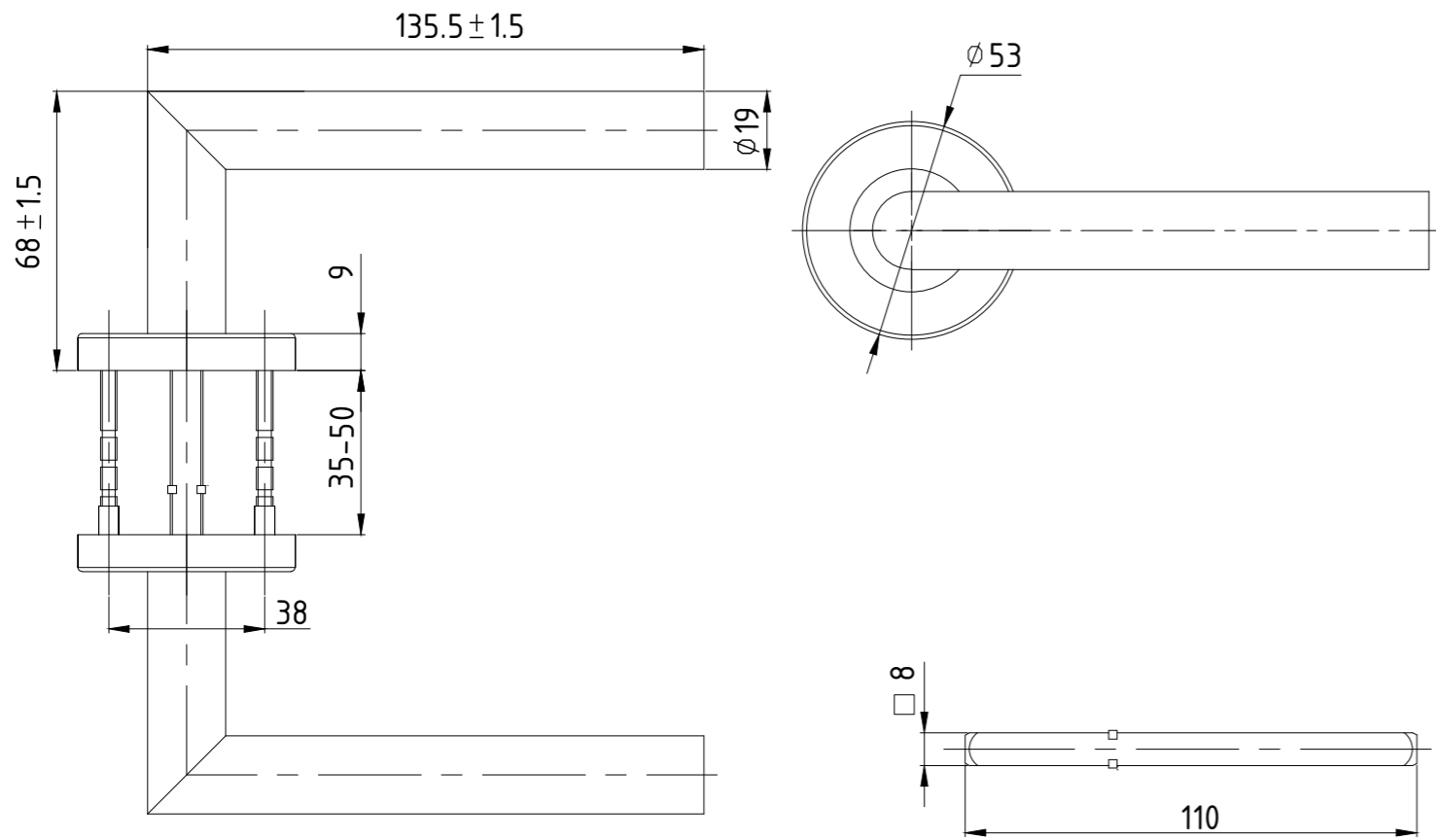




DAVIS INTERNAL DOOR HANDLE



Please **do not** cut door until you receive product. Variations in cutting guide apply between finishes and batches.

Note: Dimensions are nominal measurements only

SPECIFICATIONS

RECOMMENDED USE

Domestic

CONSTRUCTION

Stainless Steel

MOUNTING HARDWARE INCLUDED

Yes

MOUNTS FROM

Front

Disclaimer: Products in this specification manual must by regulation be installed by licensed and registered trade people. The manufacturer/distributor reserves the right to vary specifications or delete models from their range without prior notification. Dimensions are nominal measurements only. Dimensions and set-outs listed are correct at time of publication however the manufacturer/distributor takes no responsibility for printing errors. All ABI Products are designed in Australia. Copyright ABI Interiors Pty Ltd 2021.



DAVIS INTERNAL DOOR HANDLE

DOOR CUTTING GUIDE

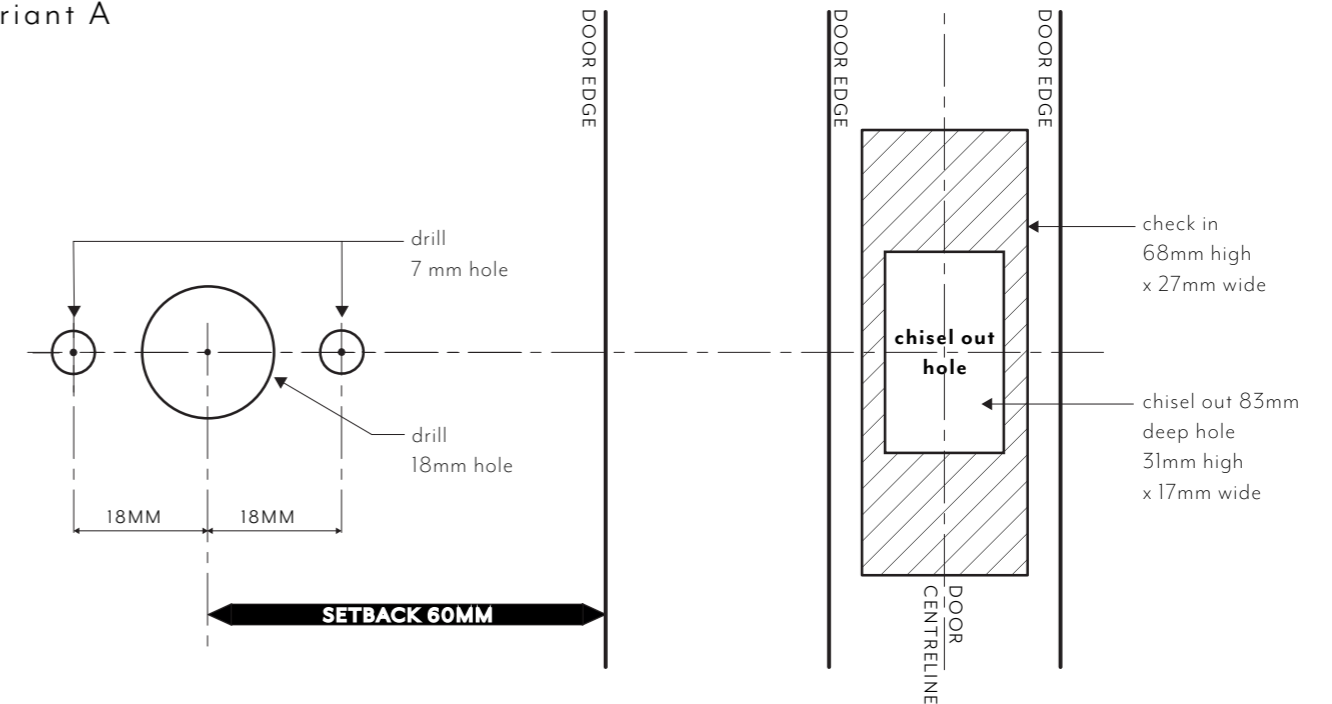
Please **do not** cut door until you receive stock.

Use strike plate dimensions to select door cutting guide.

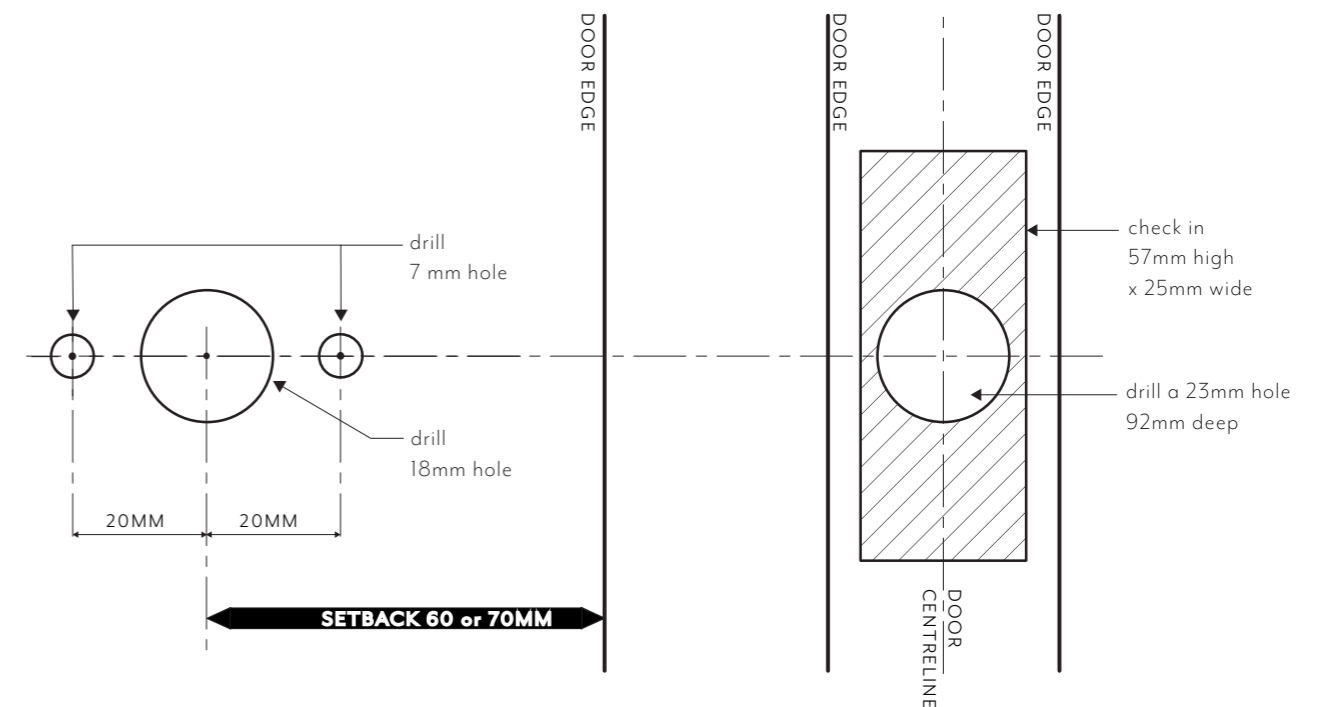
Variant A - 68mm high x 27mm wide

Variant B - 57mm high x 25mm wide

Variant A



Variant B



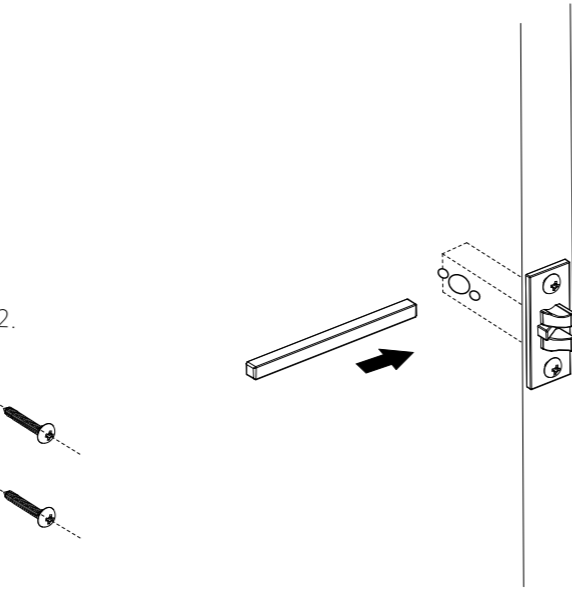
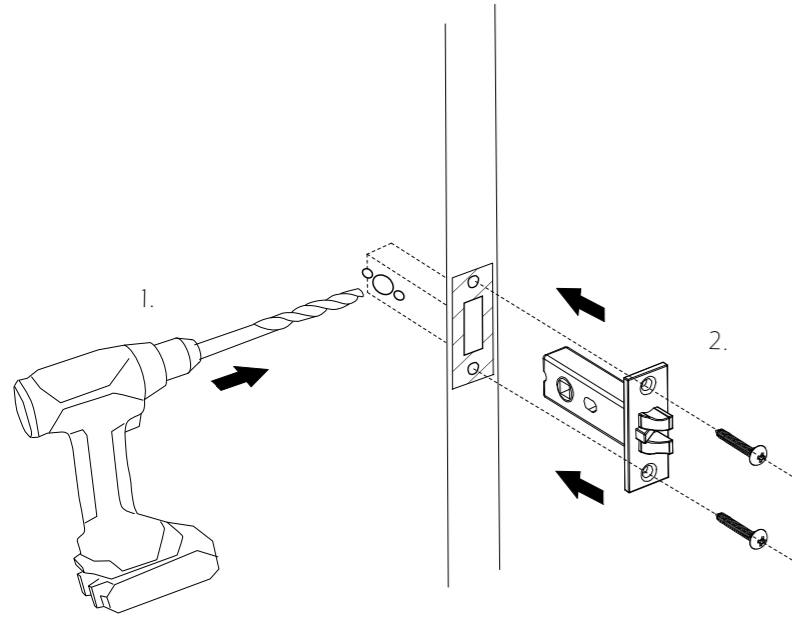
INSTALLATION GUIDE

Note: This product must be installed by a licensed tradesperson.
This is a general installation guide - there are many factors that are involved that can alter the installation method.



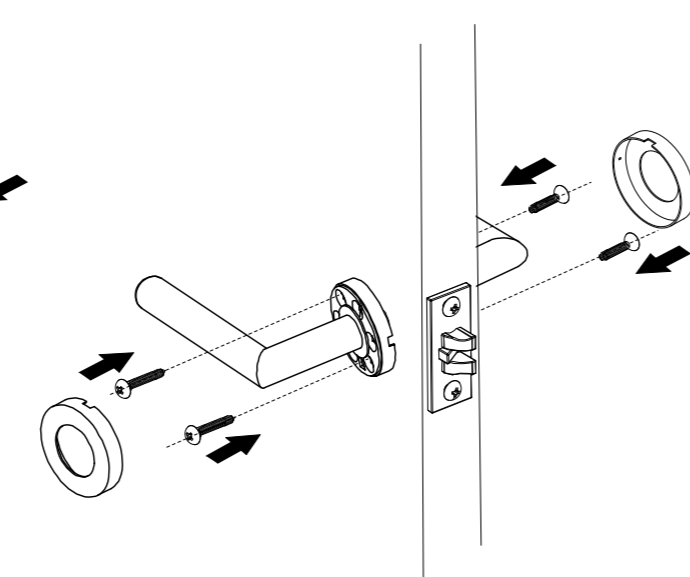
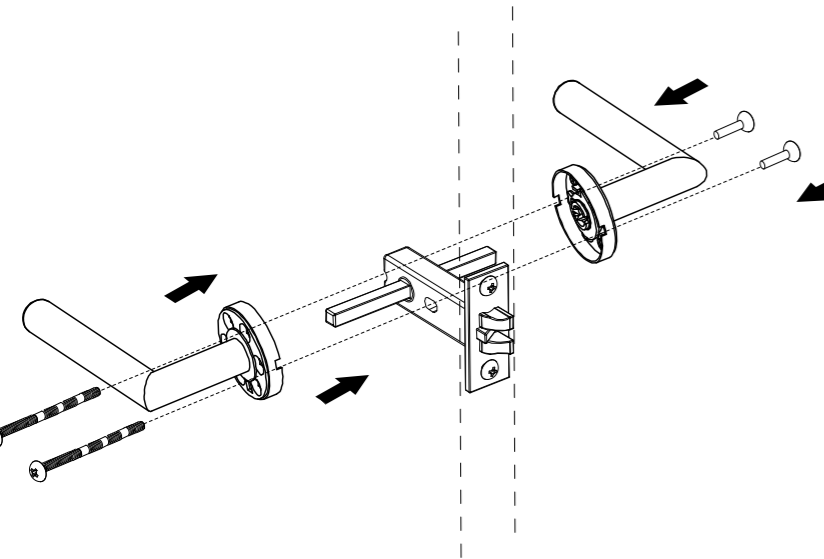
- 1** 1. Drill prescribed holes into door as per door cutting guide.
2. Install the latch into prescribed hole.

- 2** Insert latch bolt into hole.



- 3** Use connection screws to install spring mechanism.

- 4** On both sides of door, fix remaining screws through handles into door panel. Mount cover plate to handles.



IN THE BOX		2x Screw caps		
		8x Screws		
		2x Connection screws		
		1x Latch bolt		
		1x Strike plate cover		

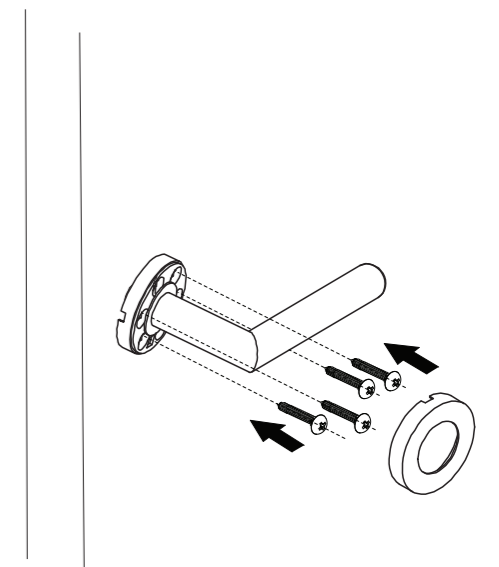
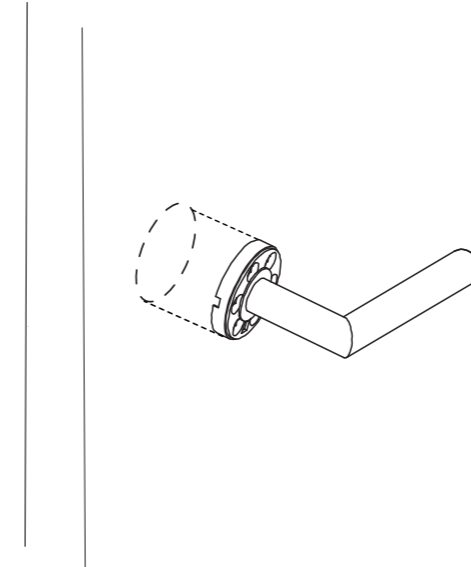
INSTALLATION GUIDE - DUMMY HANDLE

Note: This product must be installed by a licensed tradesperson.
This is a general installation guide - there are many factors that are involved that can alter the installation method.



- 1** Mark out desired location of dummy handle.

- 2** Fix screws through handles into door panel. Mount cover plate to handles.



Note: If screwing into a hollow core door, screw into solid section to ensure secure installation.
Note: It is recommended to use 4 screws for additional security. Additional screws are not included with handle.