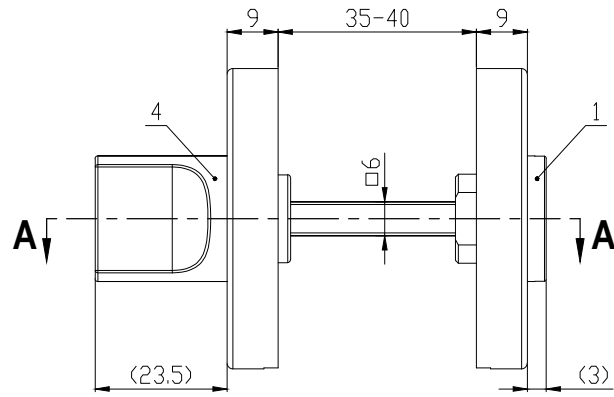
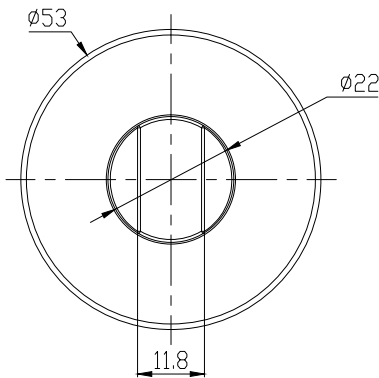


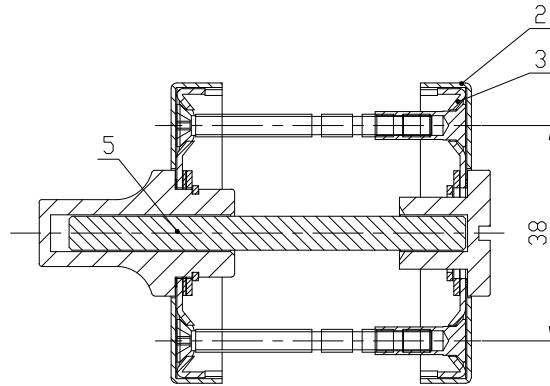
Internal Front View



Side View



External Front View



Section A-A

Note: Dimensions are nominal measurements only

SPECIFICATIONS

RECOMMENDED USE

Domestic

MATERIAL

Stainless Steel

MOUNTING HARDWARD INCLUDED

Yes

MOUNTS FROM

Front

WARRANTY

Structure: 5 Years | Finish: 2 Years

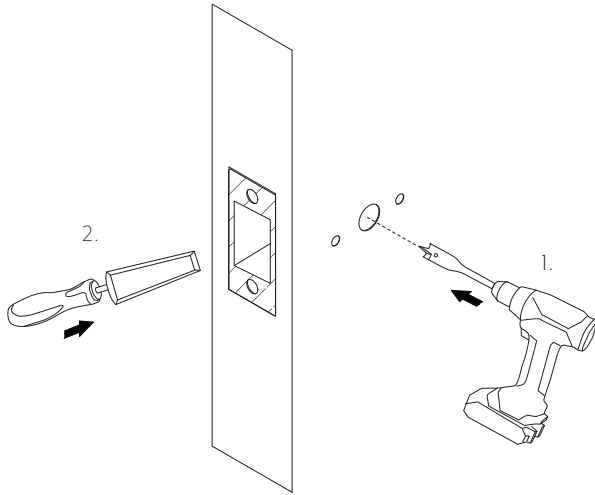
INSTALLATION GUIDE

Note: This product must be installed by a licensed tradesperson.
 This is a general installation guide - there are many factors that are involved that can alter the installation method.

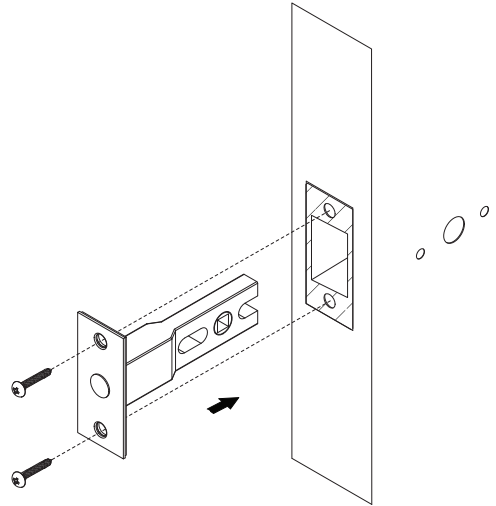


1 1. Drill prescribed holes/ recess into door face as per door cutting guide.

2. Chisel out and check in prescribed sections into door as per cutting guide.

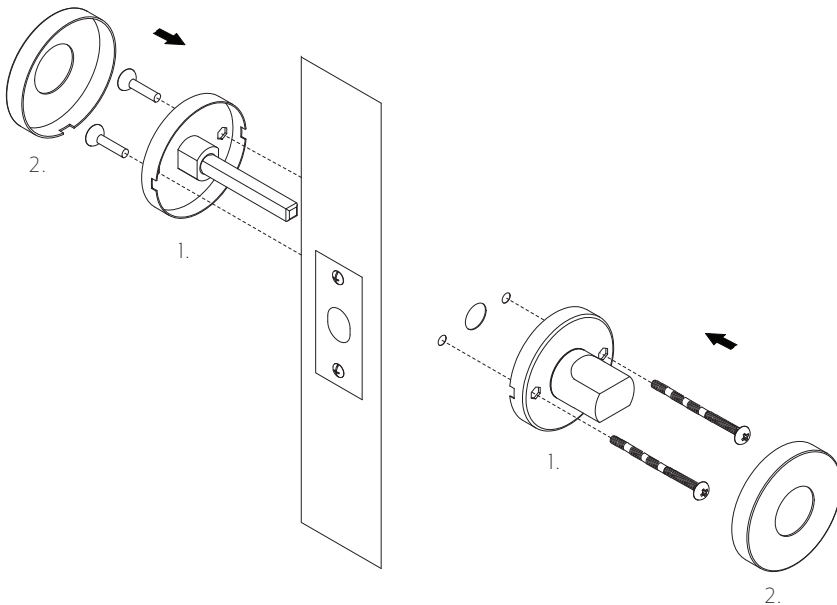


2 Install the tubular privacy bolt into prescribed hole.

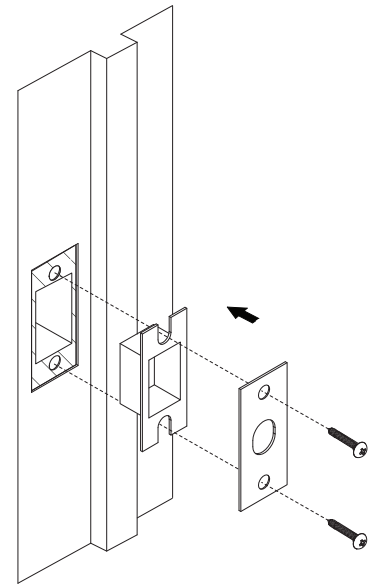


3 1. Fix turn snib and emergency release to tubular privacy bolt.

2. Fit cover plates.



4 Check striker plate into jamb in relation to tubular privacy bolt.



IN THE BOX	4x Dead Bolt Screws	1x Strike Plate Insert	1x Turn Snib	1x Tubular Privacy Bolt
	4x Cover Plate Screws	1x Strike Plate Cover	1x Emergency Release	
	2x Screw Caps	2x Cover Plates		
	2x Connection Screws			

DOOR CUTTING GUIDE

