

**Note:** Dimensions are nominal measurements only

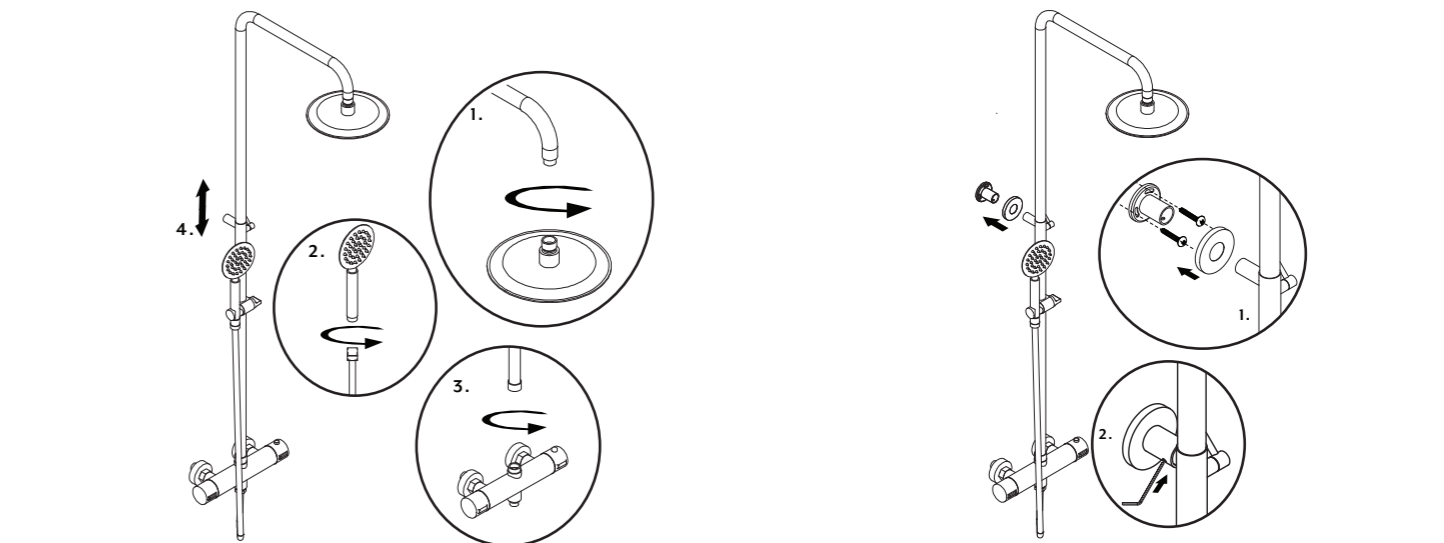
SPECIFICATIONS	
RECOMMENDED USE	Domestic
PRESSURE RATING	Recommended minimum working pressure 0.2 Bar Recommended maximum working pressure 5 Bar Hot and cold water inlet pressure should be equal
TEMPERATURE RATING	Maximum continuous working temperature 75°C If the water temperature exceeds 75°C, an approved tempering valve must be fitted
WARRANTY	Shower Head / Hand Shower Structure: 10 years   Finish: 5 years
	Shower Rail / Shower Hose / Diverter Structure: 5 years   Finish: 2 years

Disclaimer: Products in this specification manual must by regulation be installed by licensed and registered trade people. The manufacturer/distributor reserves the right to vary specifications or delete models from their range without prior notification. Dimensions are nominal measurements only. Dimensions and set-outs listed are correct at time of publication however the manufacturer/distributor takes no responsibility for printing errors. All ABI Products are designed in Australia. Copyright ABI Interiors Pty Ltd 2021.

## INSTALLATION GUIDE

Note: This product must be installed by a licensed tradesperson. This is a general installation guide - there are many factors that are involved that can alter the installation method.

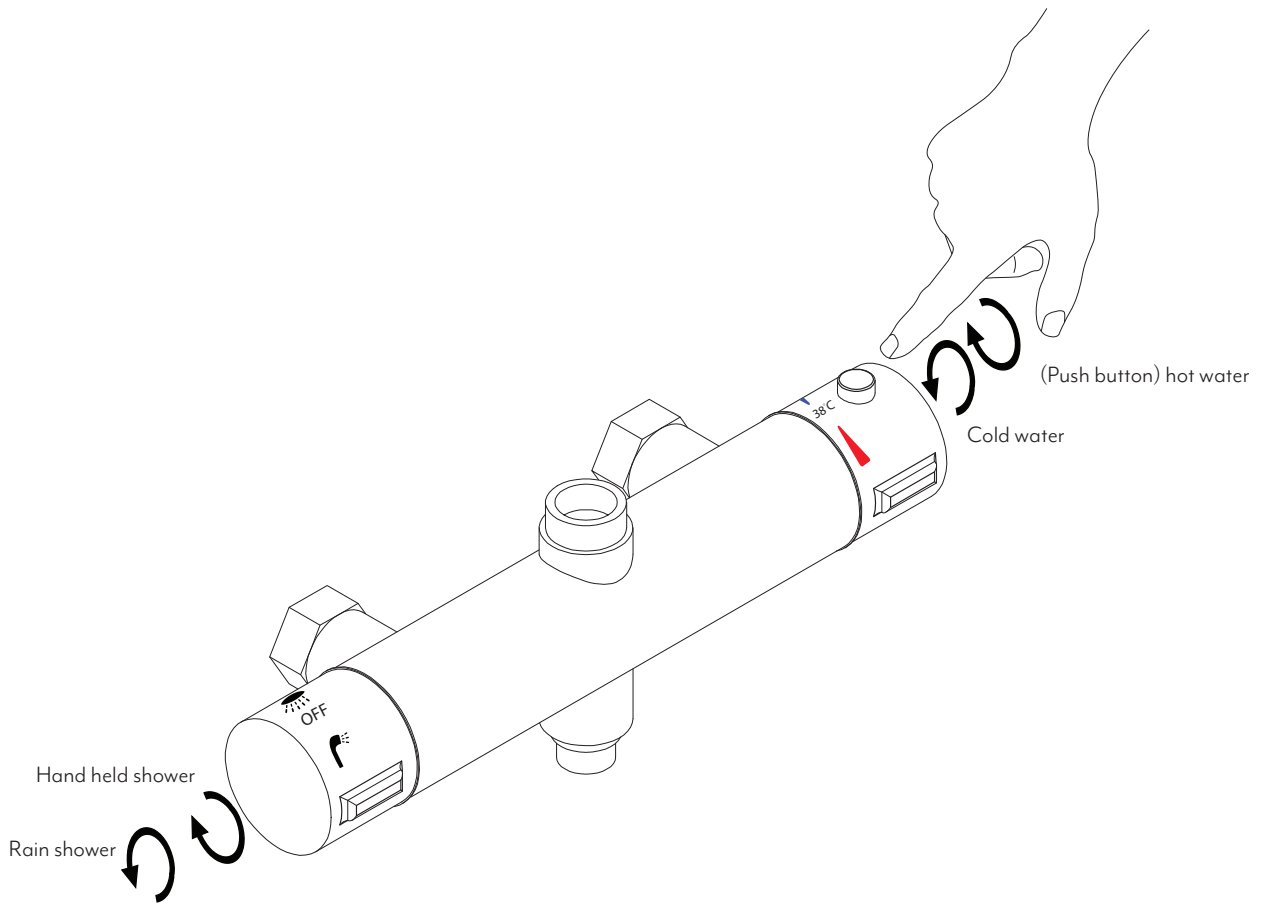
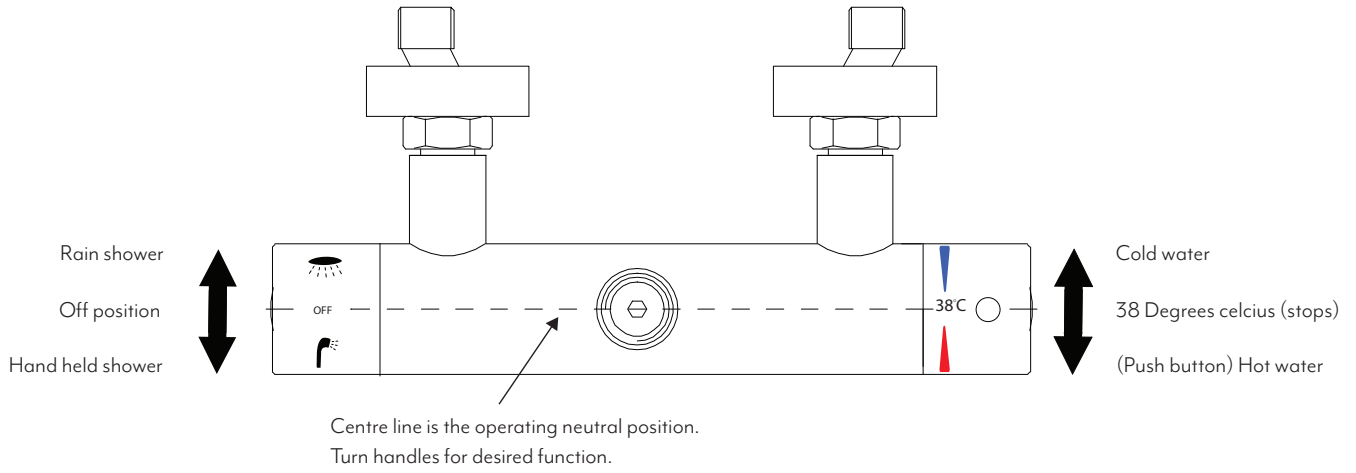
- Apply tape to S union connectors and screw into wall fittings.
- Tighten connectors with spanner.
- Screw on back plates.
- Fasten thermostatic mixer to connectors by tightening nuts with spanner.
- 1 - 3. Assemble shower rail, hose and shower heads to the thermostatic mixer.  
4. Adjust shower rail to appropriate height.
1. Fix bracket to wall with fixings provided.  
2. Use allen key to fasten to shower rail.



IN THE BOX	Components				
	3x Screw	1x Bracket	1x Thin Back Plate	2x Back Plate	2x S union connector
1x Rain Shower Head	1x Hand Shower	1x Shower Hose	1x Thermostatic Mixer	1x Shower Rail	

# USER GUIDE

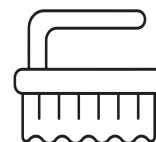
Thermostatic Shower Mixer Operations Guide



Regularly clean with mild liquid detergent or soap and water



DO NOT use cream cleaners or bleach. These substances are abrasive



DO NOT use cleaning pads with abrasive surfaces as this may scratch the material