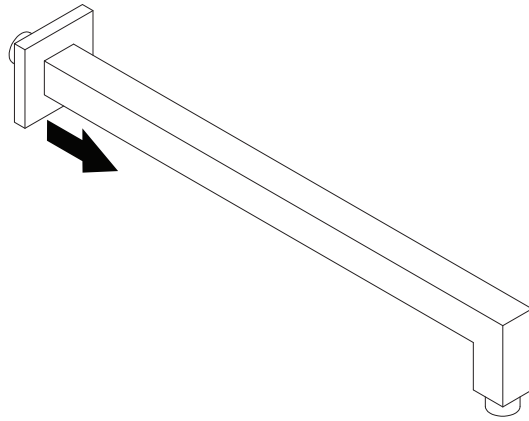


INSTALLATION GUIDE

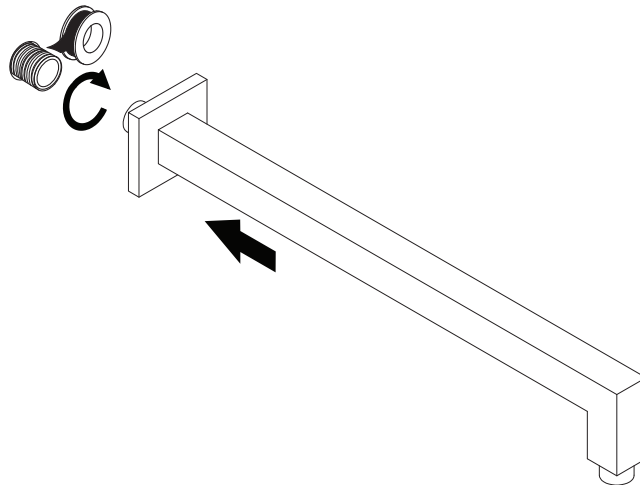
Note: This product must be installed by a licensed plumber.
This is a general installation guide - there are many factors that are involved that can alter the installation method.
This product install must comply with AS/NZS 3500.



- 1 Slide back plate onto spout. Ensure o ring is firmly gripping the spout and creating a tight seal.



- 2 Apply the teflon tape to the brass nipple. Twist the spout on and hand tighten. Push back plate to the wall surface.



Regularly clean with mild liquid detergent or soap and water.



DO NOT use cream cleaners or bleach. These substances are abrasive.



DO NOT use cleaning pads with abrasive surfaces as this may scratch the material.