

Front View

Side View

Note: Dimensions are nominal measurements only

SPECIFICATIONS

RECOMMENDED USE

Domestic

MATERIAL

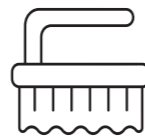
Solid Brass



Regularly clean with mild liquid detergent or soap and water



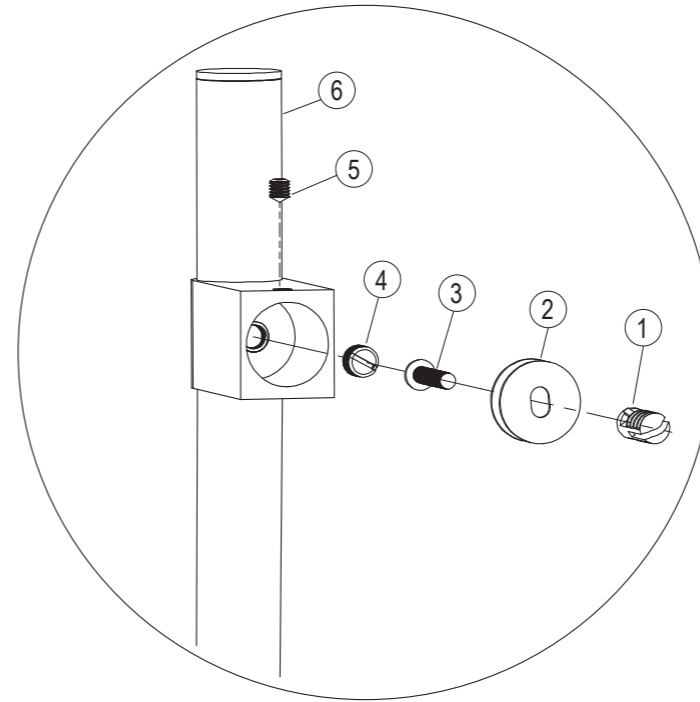
DO NOT use cream cleaners or bleach. These substances are abrasive



DO NOT use cleaning pads with abrasive surfaces as this may scratch the material

ELYSIAN ADJUSTABLE SHOWER RAIL INSTALLATION MANUAL

For best result in fixing shower rail, fit or install timber noggen in wall at the 'Rough In' stage



Whats in the box	
①	2 x Wall Plug
②	2 x Brass fixing bracket
③	2 x Screw
④	2 x Large Grub Screw
⑤	2 x Sml Grub Screw
⑥	1 x Shower Rail

- ① Unfasten small grub screw and remove brass fixing bracket
- ② Loosen large grub screw with a screw driver and slide horizontal members into desired arrangement, retighten grub screw.
- ③ Measure new distance between large grub screws. Mark wall with new distance.
- ④ Drill holes with masonry drill bit (not on hammer) & fit wall plugs using a rubber mallet.
- ⑤ Screw the brass fixing bracket into the plugs.
- ⑥ Fit shower rail onto the brass fixing brackets and retighten small grub screw using the allen key.

