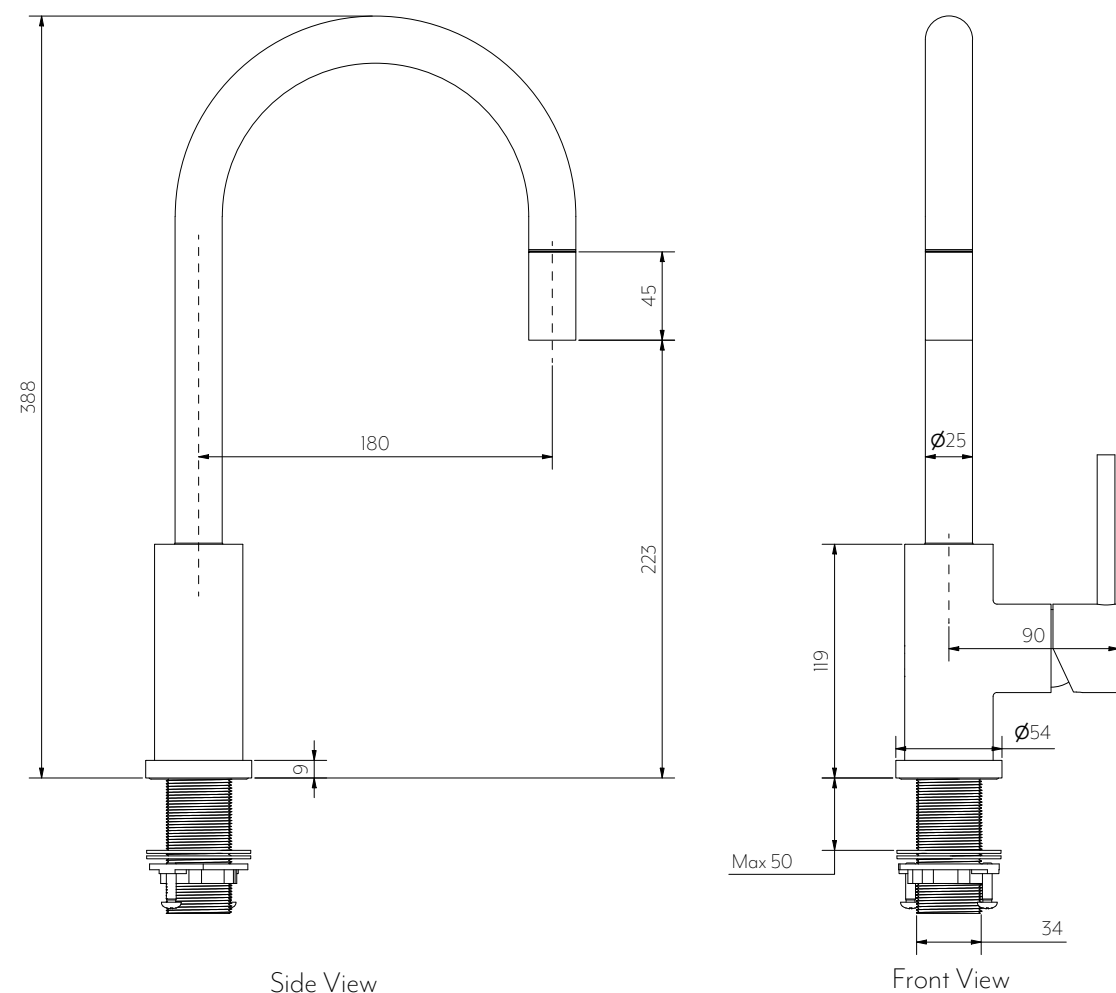


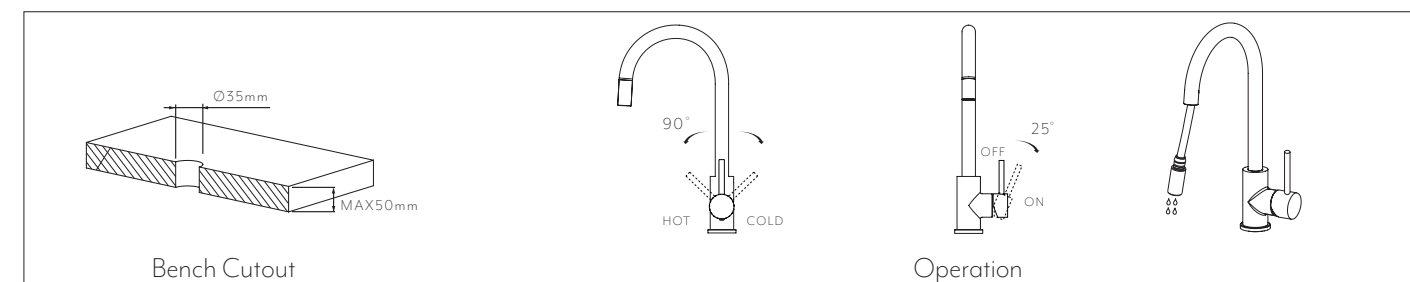
Note: This product must be installed by a licensed tradesperson. This is a general installation guide - there are many factors that are involved that can alter the installation method. For installs outside Australia and New Zealand, the standards in your respective country must be adhered to by your licensed tradesperson.



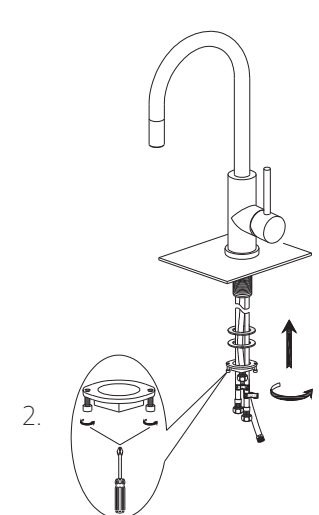
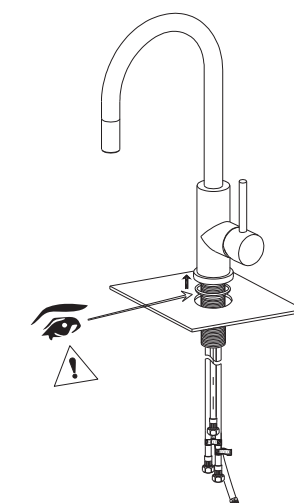
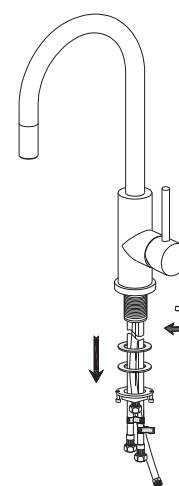
Note: Dimensions are nominal measurements only

| SPECIFICATIONS | |
|--------------------------|---|
| RECOMMENDED USE | Domestic, Commercial |
| MATERIAL | 304 Stainless Steel |
| PRESSURE RATING | Recommended minimum working pressure 0.2 Bar Recommended maximum working pressure 5 Bar Hot and cold water inlet pressure should be equal |
| TEMPERATURE RATING | Maximum continuous working temperature 75°C If the water temperature exceeds 75°C, an approved tempering valve must be fitted |
| SUITABLE HOT WATER UNITS | Storage tank: Yes Continuous Flow: Yes Gravity Feed: Suitable |
| STANDARDS | Flow Rate (6.5 L/M) |

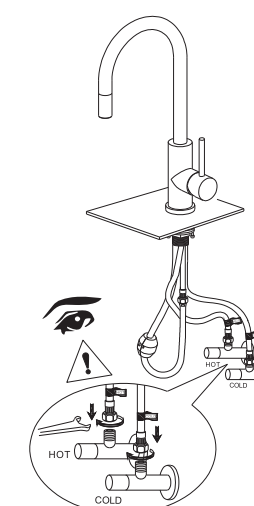
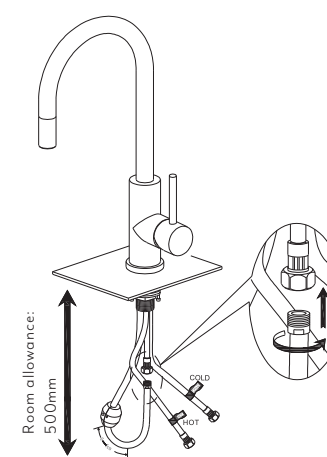
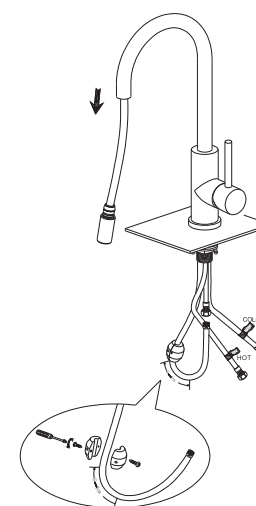
Disclaimer: Products in this specification manual must by regulation be installed by licensed and registered trade people. The manufacturer/distributor reserves the right to vary specifications or delete models from their range without prior notification. Dimensions are nominal measurements only. Dimensions and set-outs listed are correct at time of publication however the manufacturer/distributor takes no responsibility for printing errors. All ABI Products are designed in Australia. Copyright ABI Interiors Pty Ltd 2021.



- 1 Remove locking collar and washers
- 2 Feed all four flexy hoses through counter top cutout
***Note:** Ensure rubber is correctly recessed into base plate
- 3 1. Replace both washers ensuring that the rubber washer goes on first.
2. Hand tighten the locking collar,
3. Use a screw driver to tighten the two bolts until the mixer is secured in place.



- 4 Connect weight to the pull-out hose. Test pull-out function and weight positioning before tightening with screw driver.
- 5 Connect pull-out hose to shorter flexy hose.
- 6 Connect Red and Blue Flexy hoses to Hot and Cold water outlets accordingly.



Regularly clean with mild liquid detergent or soap and water

DO NOT use cream cleaners or bleach. These substances are abrasive

DO NOT use cleaning pads with abrasive surfaces as this may scratch the material