

Side View

Front View

Note: Dimensions are nominal measurements only

SPECIFICATIONS

RECOMMENDED USE

Domestic, Commercial

MATERIAL

304 Stainless Steel

PRESSURE RATING

Recommended minimum working pressure 150kPa
Recommended maximum working pressure 500kPa
Hot and cold water inlet pressure should be equal

TEMPERATURE RATING

Maximum continuous working temperature 75°C
If the water temperature exceeds 75°C, an approved tempering valve must be fitted

SUITABLE HOT WATER UNITS

Storage tank: Yes
Continuous Flow: Yes
Gravity Feed: Not suitable

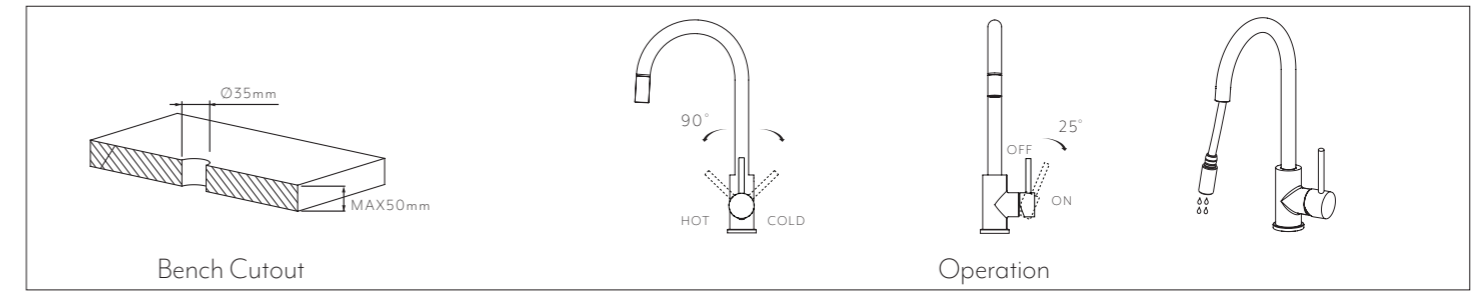
STANDARDS

WELS Star Rating(4 Star) – Flow Rate(6.5 L/min)
Registration No. T36499

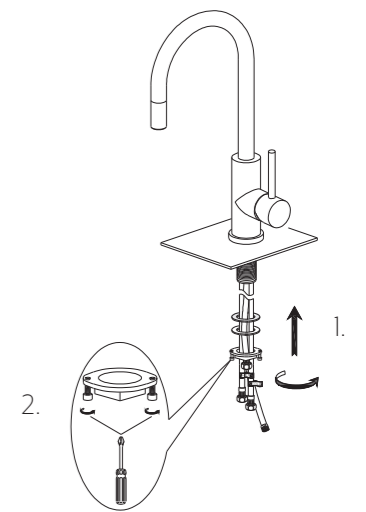
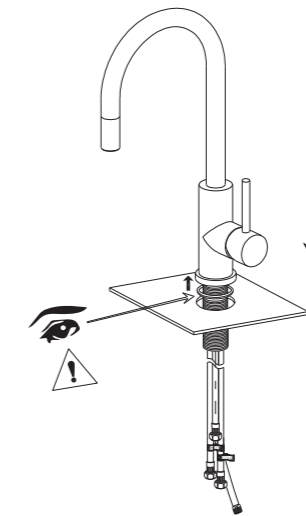
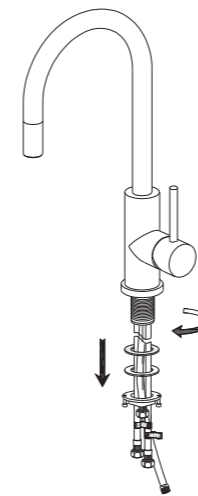
Disclaimer: Products in this specification manual must by regulation be installed by licensed and registered trade people. The manufacturer/distributor reserves the right to vary specifications or delete models from their range without prior notification. Dimensions are nominal measurements only. Dimensions and set-outs listed are correct at time of publication however the manufacturer/distributor takes no responsibility for printing errors. All ABI Products are designed in Australia. Copyright ABI Interiors Pty Ltd 2021.

INSTALLATION GUIDE

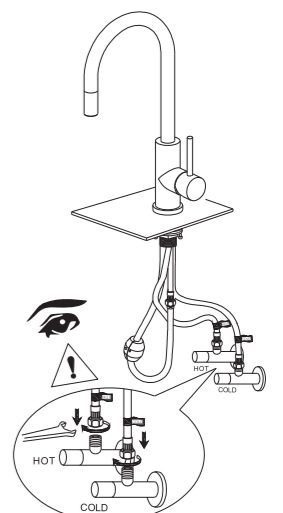
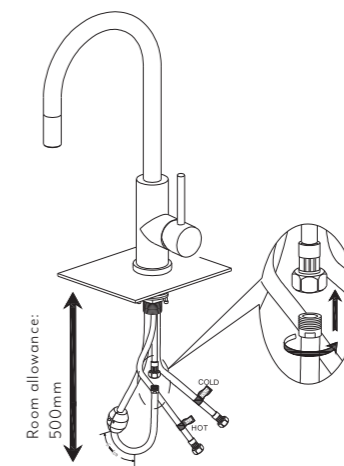
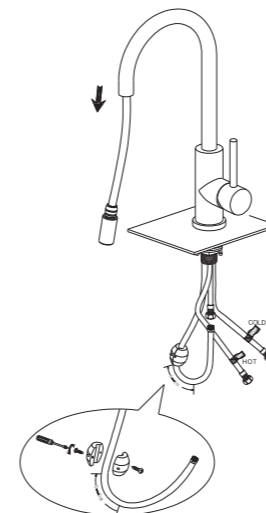
Note: This product must be installed by a licensed tradesperson. This is a general installation guide - there are many factors that are involved that can alter the installation method. This product install must comply with AS/NZS 3500.



- 1 Remove locking collar and washers
- 2 Feed all four flexy hoses through counter top cutout
***Note:** Ensure rubber is correctly recessed into base plate
- 3 1. Replace both washers ensuring that the rubber washer goes on first.
2. Use a screw driver to tighten the two bolts until the mixer is secured in place.



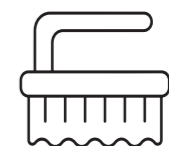
- 4 Connect weight to the pull-out hose. Test pull-out function and weight positioning before tightening with screw driver.
- 5 Connect pull-out hose to shorter flexy hose.
- 6 Connect Red and Blue Flexy hoses to Hot and Cold water outlets accordingly.



Regularly clean with mild liquid detergent or soap and water



DO NOT use cream cleaners or bleach. These substances are abrasive



DO NOT use cleaning pads with abrasive surfaces as this may scratch the material