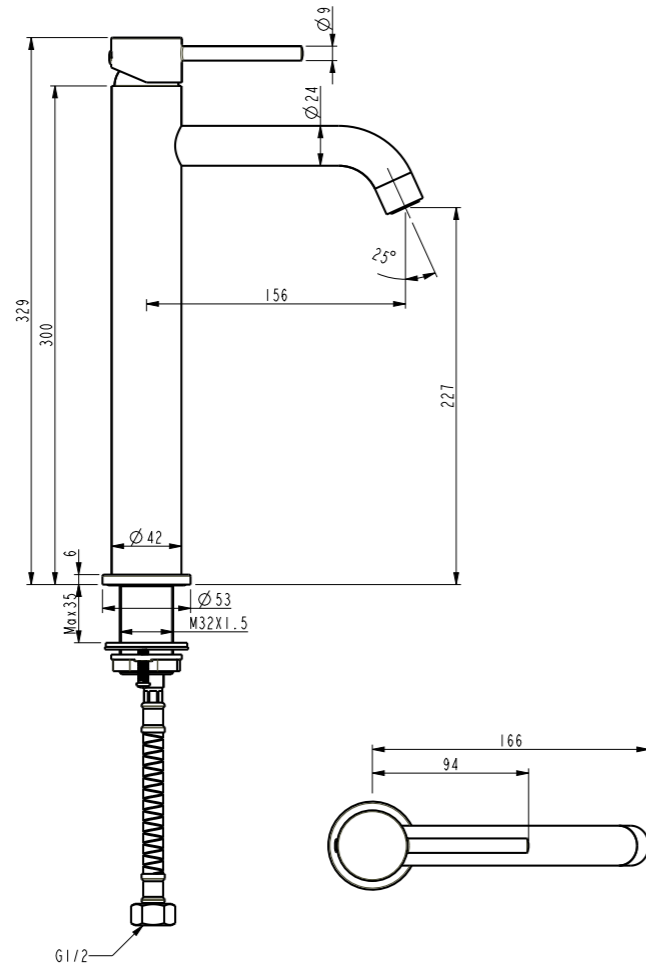


ELYSIAN EXTENDED BASIN MIXER



Note: Dimensions are nominal measurements only

SPECIFICATIONS

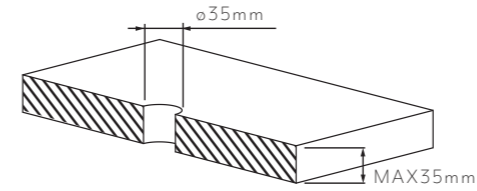
RECOMMENDED USE	Domestic
MATERIAL	Solid Brass
PRESSURE RATING	Recommended minimum working pressure 0.2 Bar Recommended maximum working pressure 5 Bar Hot and cold water inlet pressure should be equal.
TEMPERATURE RATING	Maximum continuous working temperature 80°C
SUITABLE HOT WATER UNITS	Storage tank: Yes Continuous Flow: Yes Gravity Feed: Not suitable

Disclaimer: Products in this specification manual must by regulation be installed by licensed and registered trade people. The manufacturer/distributor reserves the right to vary specifications or delete models from their range without prior notification. Dimensions are nominal measurements only. Dimensions and set-outs listed are correct at time of publication however the manufacturer/distributor takes no responsibility for printing errors. All ABI Products are designed in Australia. Copyright ABI Interiors 2019.

INSTALLATION GUIDE

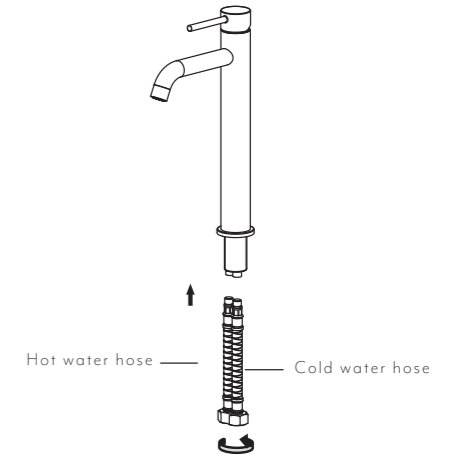
This product must be installed by a licensed plumber.
This is a general installation guide - there are many factors that are involved that can alter the installation method.
For installs outside Australia and New Zealand, the standards in your respective country must be adhered to by your licensed tradesperson.

1 Mark hole in benchtop at desired position and drill a 35mm hole.

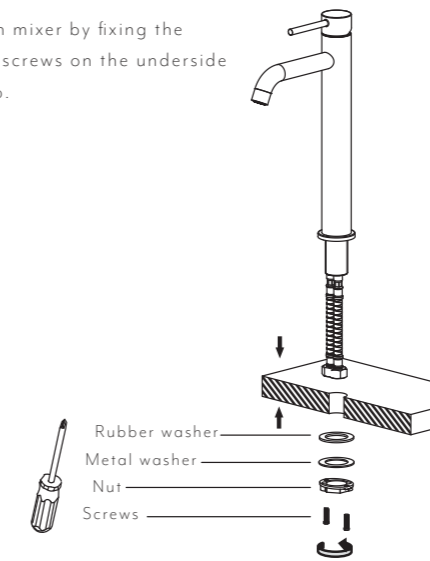


** If installing into a thicker benchtop - a longer threaded rod is required to fix the Basin Mixer down.

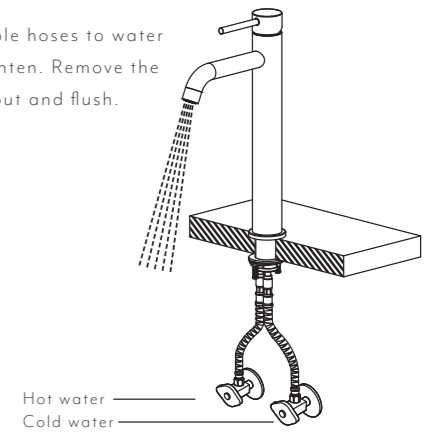
2 As shown in the figure, connect the H & C flexible hoses. ABI recommends applying appropriate lubricant to o-rings



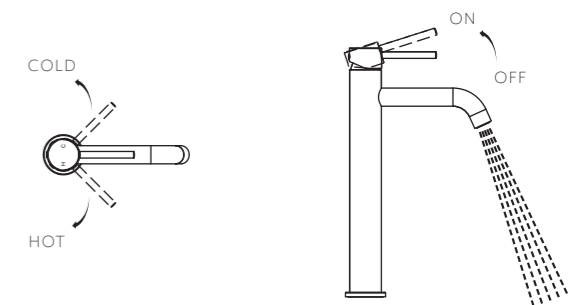
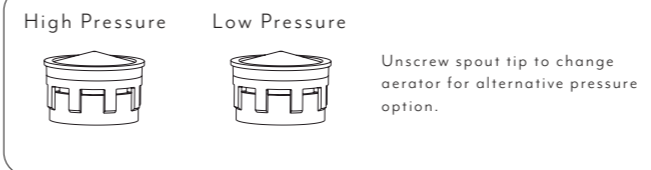
3 Install the basin mixer by fixing the washers, nut & screws on the underside of the benchtop.



4 Attach the two flexible hoses to water supply and hand tighten. Remove the aerator from the spout and flush. Re-install aerator



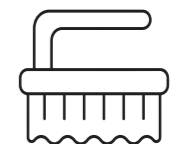
MIXER OPERATION



Regularly clean with mild liquid detergent or soap and water



DO NOT use cream cleaners or bleach. These substances are abrasive



DO NOT use cleaning pads with abrasive surfaces as this may scratch the material