

## BOTTOM DIVER TER INSTALLATION

The hand held has more range to move when the diverter is installed at the bottom of the rail, compared to installation at the top.

**Note:** Dimensions are nominal measurements only

## SPECIFICATIONS

### RECOMMENDED USE

Domestic

### MATERIAL

Solid Brass

### PRESSURE RATING

Recommended minimum working pressure 150kPa  
Recommended maximum working pressure 500kPa  
Hot and cold water inlet pressure should be equal

### TEMPERATURE RATING

Maximum continuous working temperature 75°C  
If the water temperature exceeds 75°C, an approved tempering valve must be fitted

### SUITABLE HOT WATER UNITS

Storage tank: Yes  
Continuous Flow: Yes  
Gravity Feed: Not suitable

### FUNCTIONS

Standard rain shower spray

### STANDARDS

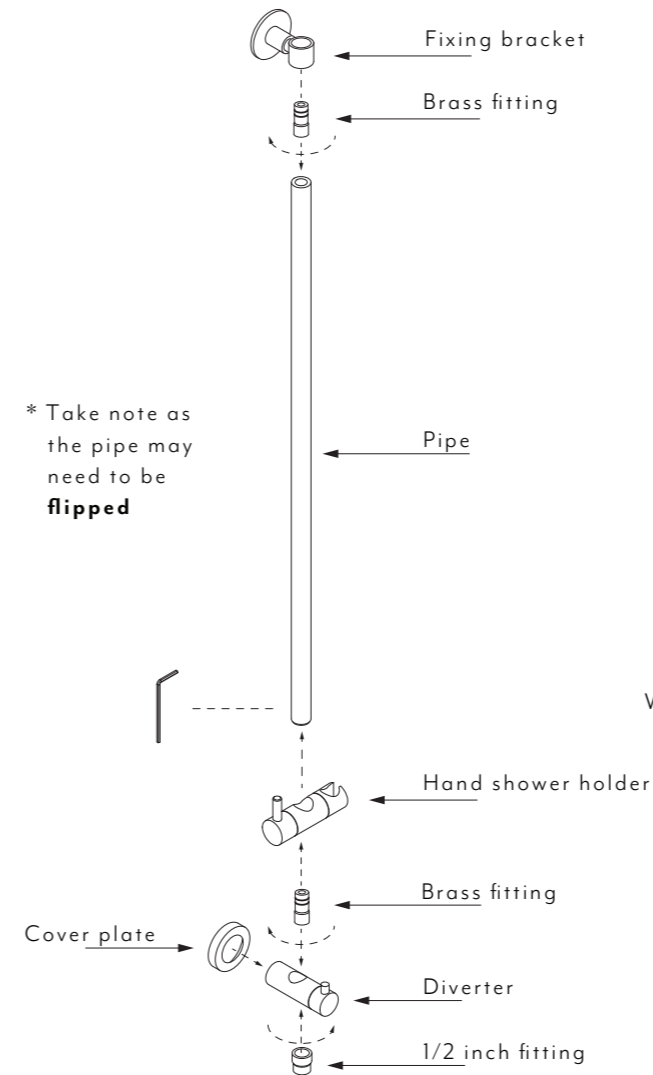
WELS Star Rating 3 star - Flow Rate: 8.5L/min (with Kobi)  
Registration No. S16411

Disclaimer: Products in this specification manual must by regulation be installed by licensed and registered trade people. The manufacturer/distributor reserves the right to vary specifications or delete models from their range without prior notification. Dimensions are nominal measurements only. Dimensions and set-outs listed are correct at time of publication however the manufacturer/distributor takes no responsibility for printing errors. All ABI Products are designed in Australia. Copyright ABI Interiors Pty Ltd 2021.

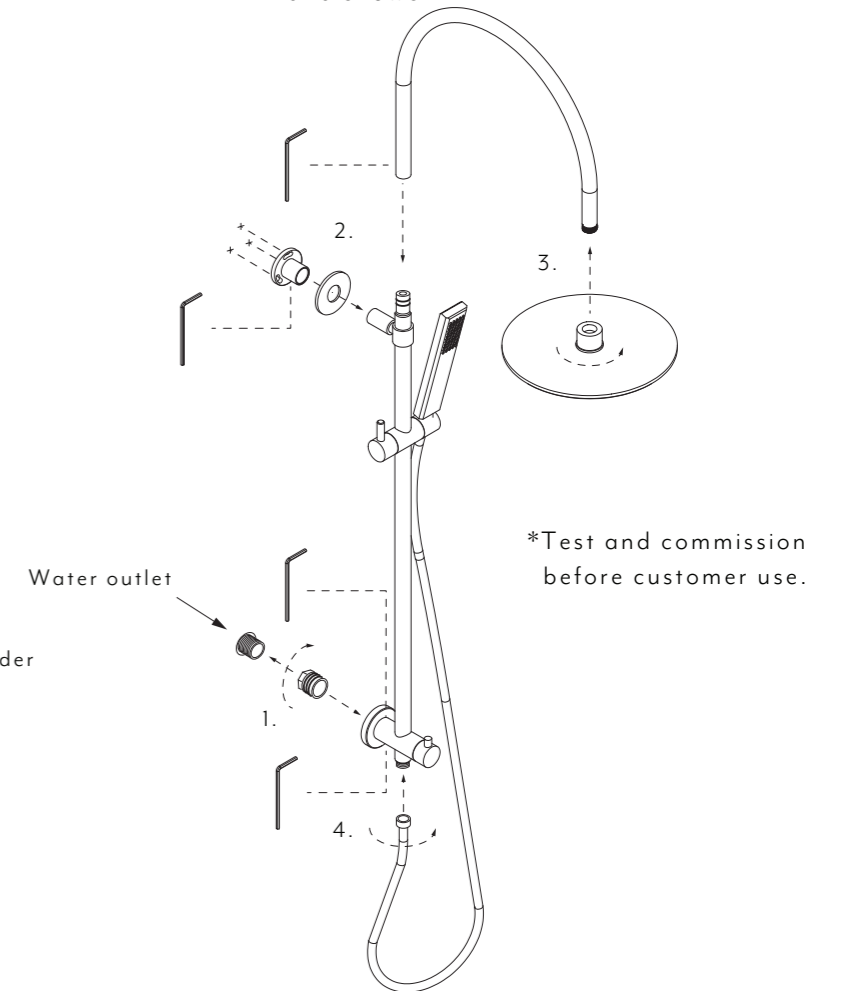
## INSTALLATION GUIDE

Note: This product must be installed by a licensed plumber. This is a general installation guide - there are many factors that are involved that can alter the installation method. This product install must comply with AS/NZS 3500.

- Assemble the following parts in the layout shown below. Ensure each part is secured by tightening each fitting with an alan key.

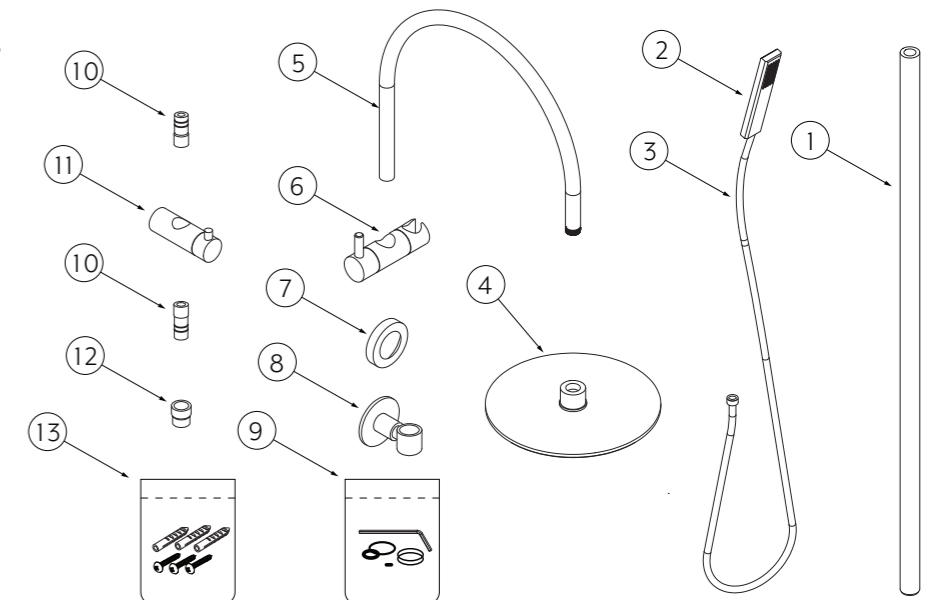


- Connect to water outlet. Use appropriate thread sealant
- Mark and fix pipe holder brackets.
- Before attaching spout and shower head run the water through to clear pipe of debris.
- Connect shower hose, run water through hose to clear any debris then attach hand shower.



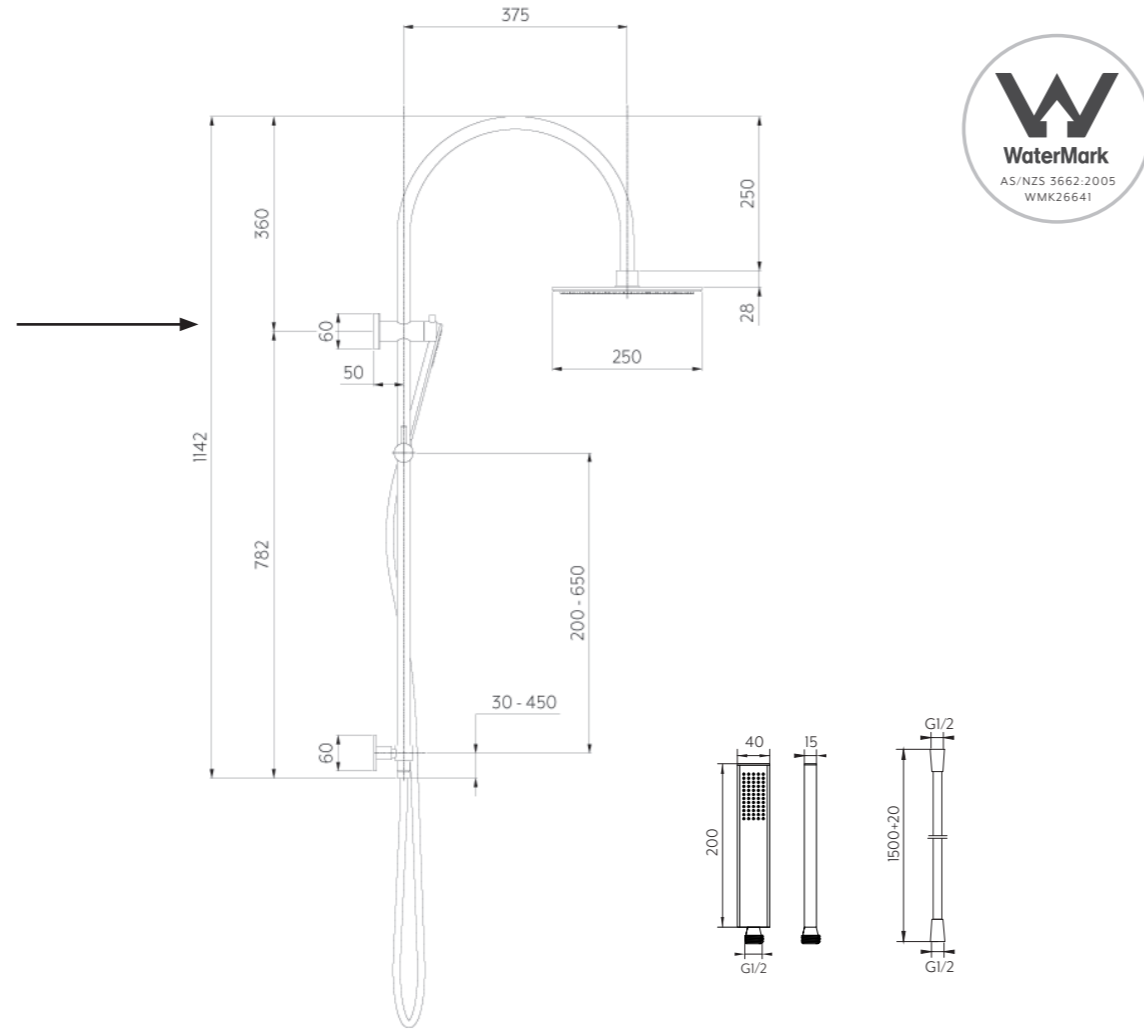
## What's in the box?

- Pipe
- Hand shower
- Hose
- Shower head
- Gooseneck
- Hand shower holder
- Cover plate
- Fixing bracket
- Spare parts
- Brass fitting [x2] \*these may be attached to diverter.
- Diverter
- 1/2 Inch fitting
- Fixing screws



## TOP DIVER TER INSTALLATION

Please keep in mind, top diverter installation can limit the hand held movement along the rail.



Note: Dimensions are nominal measurements only

## SPECIFICATIONS

### RECOMMENDED USE

Domestic

### MATERIAL

Solid Brass

### PRESSURE RATING

Recommended minimum working pressure 150kPa  
Recommended maximum working pressure 500kPa  
Hot and cold water inlet pressure should be equal

### TEMPERATURE RATING

Maximum continuous working temperature 75°C  
If the water temperature exceeds 75°C, an approved tempering valve must be fitted

### SUITABLE HOT WATER UNITS

Storage tank: Yes  
Continuous Flow: Yes  
Gravity Feed: Not suitable

### FUNCTIONS

Standard rain shower spray

### STANDARDS

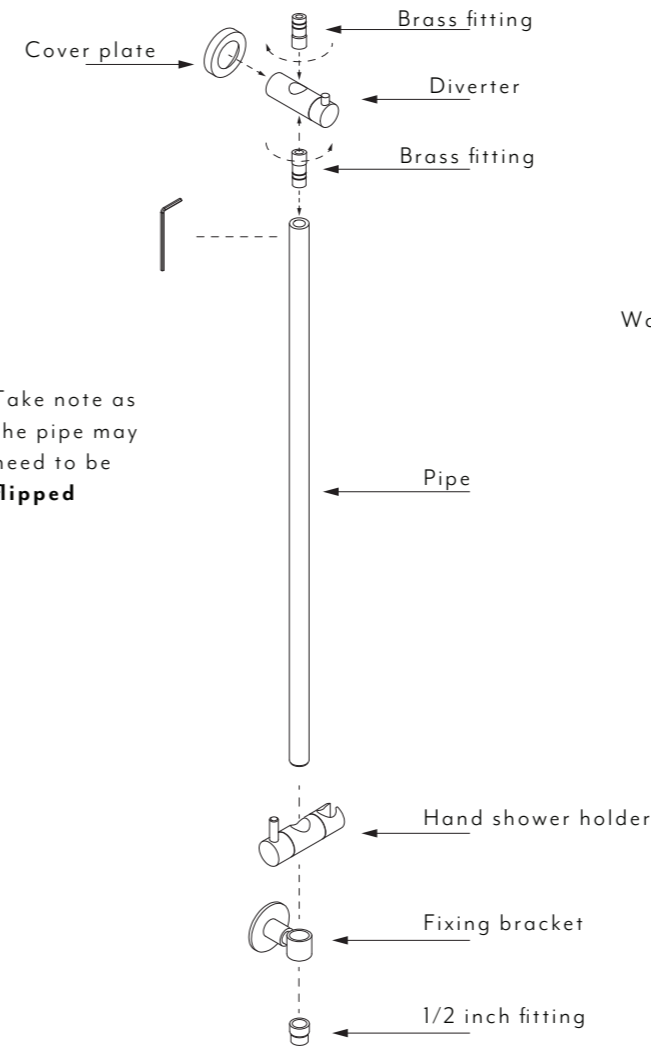
WELS Star Rating 3 star - Flow Rate: 8.5L/min (with Kobi)  
Registration No. S16411

Disclaimer: Products in this specification manual must by regulation be installed by licensed and registered trade people. The manufacturer/distributor reserves the right to vary specifications or delete models from their range without prior notification. Dimensions are nominal measurements only. Dimensions and set-outs listed are correct at time of publication however the manufacturer/distributor takes no responsibility for printing errors. All ABI Products are designed in Australia. Copyright ABI Interiors Pty Ltd 2021.

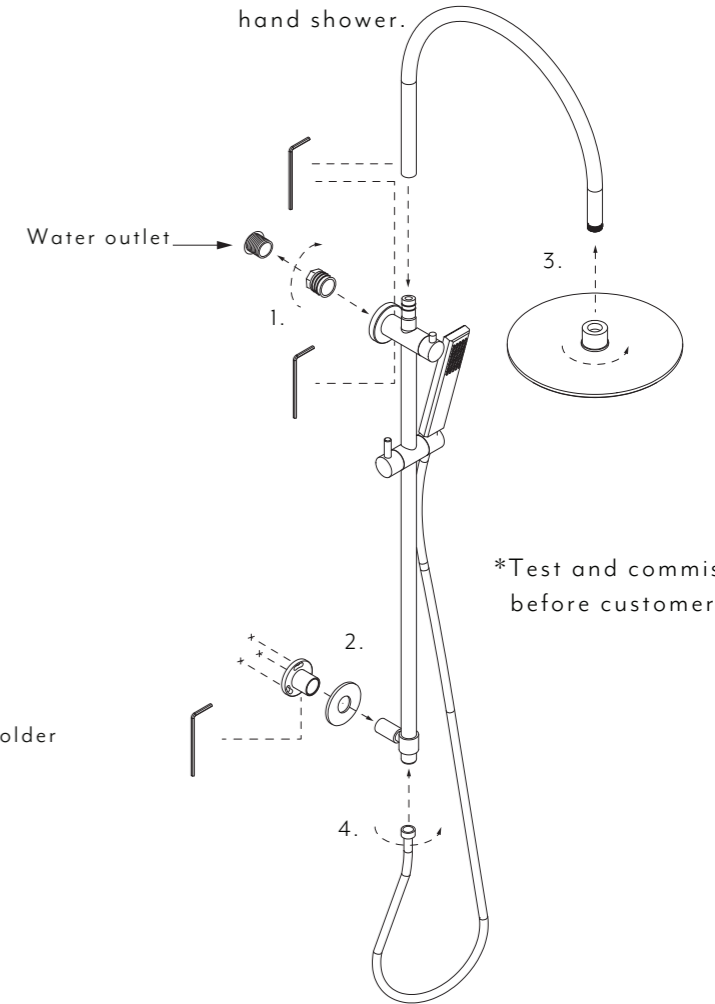
## INSTALLATION GUIDE

Note: This product must be installed by a licensed plumber. This is a general installation guide - there are many factors that are involved that can alter the installation method. This product install must comply with AS/NZS 3500.

- Assemble the following parts in the layout shown below. Ensure each part is secured by tightening each fitting with an alan key.



- Connect to water outlet. Use appropriate thread sealant.
- Mark and fix pipe holder brackets.
- Before attaching spout and shower head run the water through to clear pipe of debris.
- Connect shower hose, run water through hose to clear any debris then attach hand shower.



## What's in the box?

- Pipe
- Hand shower
- Hose
- Shower head
- Gooseneck
- Hand shower holder
- Cover plate
- Fixing bracket
- Spare parts
- Brass fitting [x2] \*these may be attached to diverter.
- Diverter
- 1/2 Inch fitting
- Fixing screws

