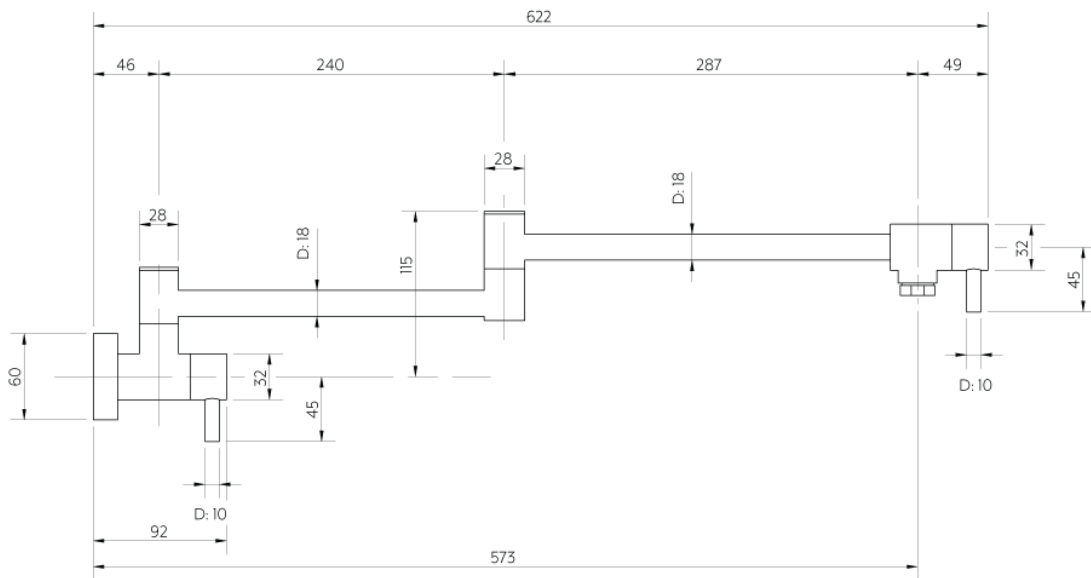


TOP VIEW



FRONT VIEW



Note: Dimensions are nominal measurements only

SPECIFICATIONS

RECOMMENDED USE

Domestic, Commercial

MATERIAL

Brass

PRESSURE RATING

Recommended minimum working pressure 150kPa
Recommended maximum working pressure 500kPa
Hot and cold water inlet pressure should be equal

TEMPERATURE RATING

Maximum continuous working temperature 75°C
If the water temperature exceeds 75°C, an approved tempering valve must be fitted

SUITABLE HOT WATER UNITS

Storage tank: Yes
Continuous Flow: Yes
Gravity Feed: Not suitable

STANDARDS

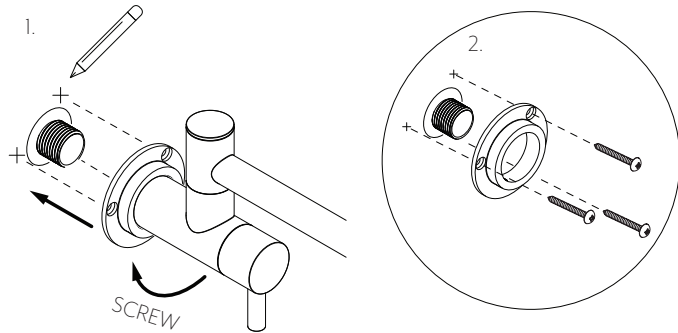
Nominal flow rate: 5.44 L/min (5star)

INSTALLATION GUIDE

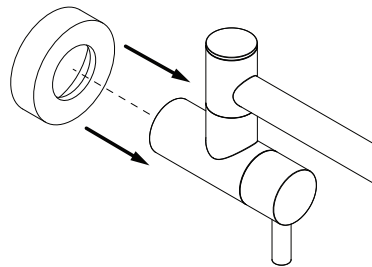


Note: This product must be installed by a licensed tradesperson.
This is a general installation guide - there are many factors that are involved that can alter the installation method.

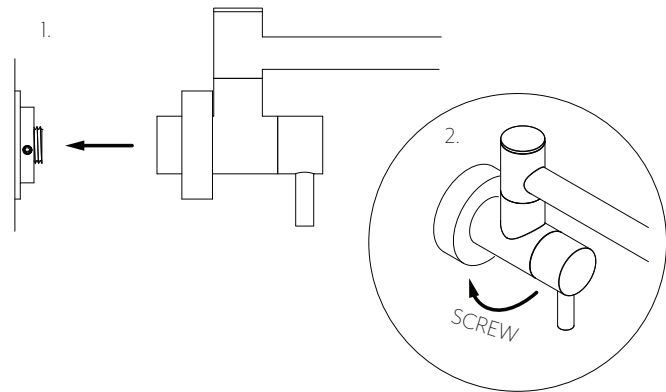
- 1**
1. Use the mixer as an aid to locate the positioning of the fixing bracket. Mark the holes.
 2. Fix the bracket



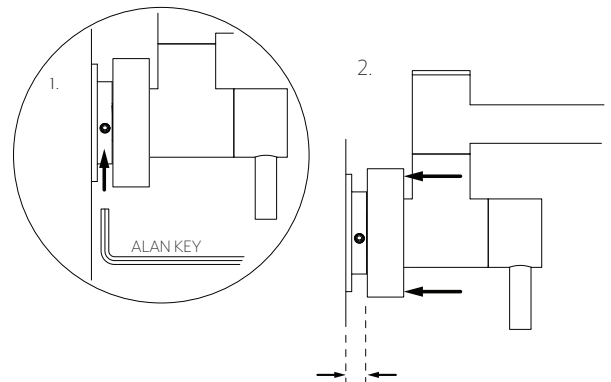
- 2** Push the cover plate over the body of tap.



- 3**
1. Screw the mixer onto the 1/2 inch threaded pipe (use appropriate thread sealant)
 2. Ensure the mixer is tight and in an upright position.



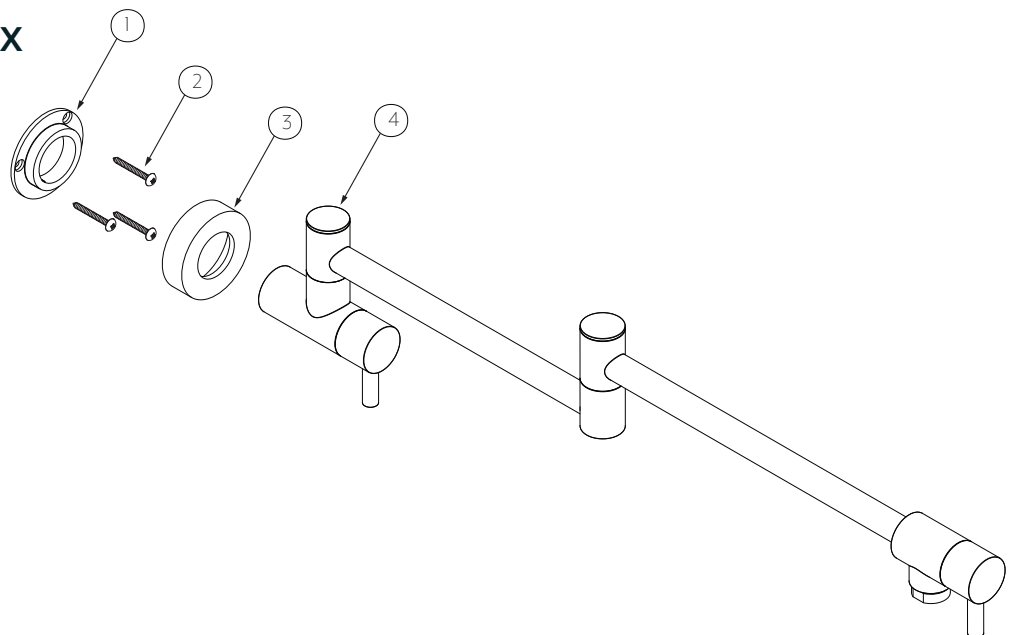
- 4**
1. Tighten the grub screw with the alan key.
 2. Finally push the cover plate over the fixing bracket.
 3. Test and commission before use.



WHAT'S IN THE BOX

EXPLODED VIEW

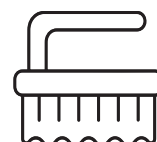
1. Fixing bracket
2. Screws
3. Cover plate
4. Mixer body



Regularly clean with mild liquid detergent or soap and water



DO NOT use cream cleaners or bleach. These substances are abrasive



DO NOT use cleaning pads with abrasive surfaces as this may scratch the material