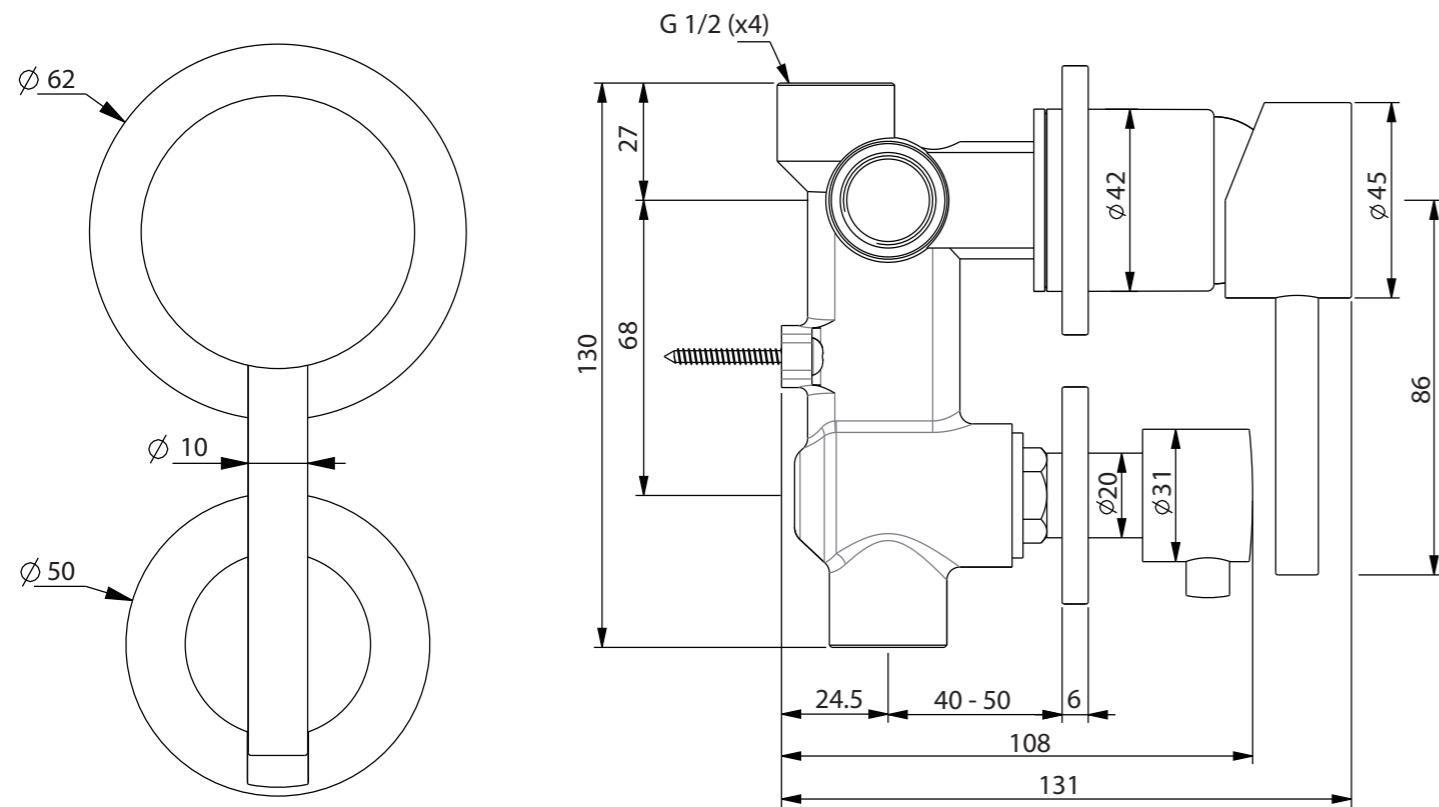


# ELYSIAN SHOWER DIVERTER



**Note:** Dimensions are nominal measurements only

## SPECIFICATIONS

### RECOMMENDED USE

Domestic

### MATERIAL

Solid Brass

### PRESSURE RATING

Recommended minimum working pressure 150kPa  
Recommended maximum working pressure 500kPa  
Hot and cold water inlet pressure should be equal

### TEMPERATURE RATING

Maximum continuous working temperature 75°C  
If the water temperature exceeds 75°C, an approved tempering valve must be fitted

### SUITABLE HOT WATER UNITS

Storage tank: Yes  
Continuous Flow: Yes  
Gravity Feed: Not Suitable

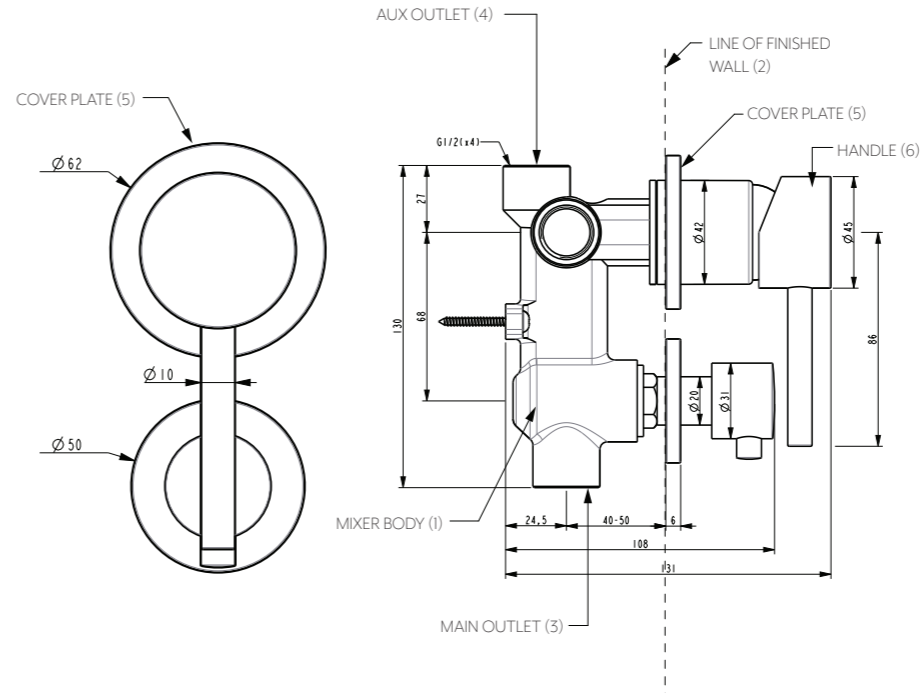
Disclaimer: Products in this specification manual must by regulation be installed by licensed and registered trade people. The manufacturer/distributor reserves the right to vary specifications or delete models from their range without prior notification. Dimensions are nominal measurements only. Dimensions and set-outs listed are correct at time of publication however the manufacturer/distributor takes no responsibility for printing errors. All ABI Products are designed in Australia. Copyright ABI Interiors Pty Ltd 2021.

## INSTALLATION GUIDE

This product must be installed by a licensed plumber.

This is a general installation guide - there are many factors that are involved that can alter the installation method.

This product install must comply with AS/NZS 3500.



1 Using fixing points in mixer body (1). Fasten into place allowing for finished wall (2).

2 Connect hot & cold, aux outlet (4) & main outlet (3), test with pressure. The main outlet (3) will be the default outlet when water is first turned on (For example if water is to come out of the rain shower head by default the line of this fixture should be connected to main outlet)

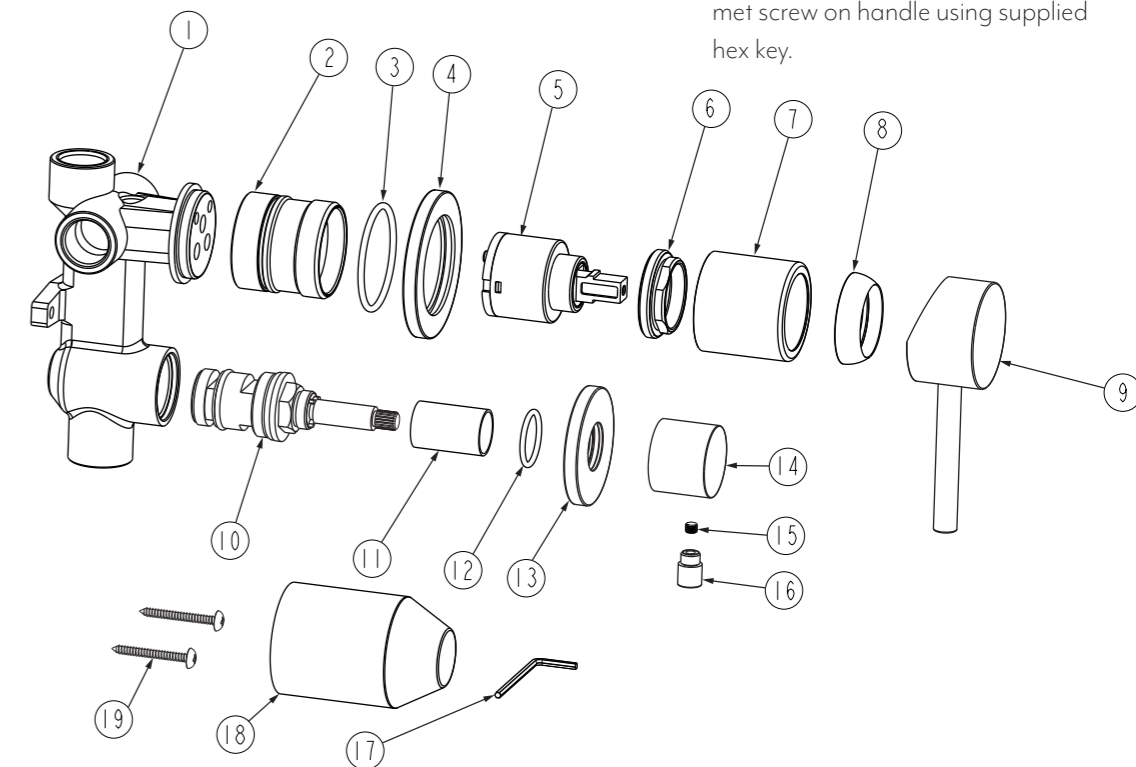
3 When installing wall sheeting ensure hole cutout size does not exceed the coverplate (5) coverage area - Ensure all entry points around mixer body are sealed to prevent water entry

4 Once wall sheeting is completed, slide the cover plate hard back to wall, fit handle (6) and tighten grommet screw on handle using supplied hex key.

### EXPLODED VIEW

Item Description Code

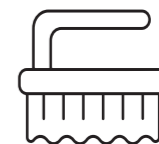
- 1-2 Body
- 3 O-Ring
- 4 Body Back Plate
- 5 Cartridge
- 6 Locking Nut
- 7 Body Sleeve
- 8 Dome
- 9 Handle
- 10-12 Button Components
- 13 Button Back Plate
- 14-16 Button
- 17 Allen Key
- 18 Protective Case
- 21 Fixing Screws



Regularly clean with mild liquid detergent or soap and water



DO NOT use cream cleaners or bleach. These substances are abrasive



DO NOT use cleaning pads with abrasive surfaces as this may scratch the material