

Note: Dimensions are nominal measurements only

SPECIFICATIONS

RECOMMENDED USE

Domestic in UK

MATERIAL

Solid Brass

TEMPERATURE RATING

Maximum continuous working temperature 75°C
If the water temperature exceeds 75°C, an approved tempering valve must be fitted

PRESSURE RATING

Recommended minimum working pressure 150kPa
Recommended maximum working pressure 500kPa
Hot and cold water inlet pressure should be equal

FUNCTION

1/4 turn (clockwise & anti-clockwise spindle in set)

INSTALLATION GUIDE

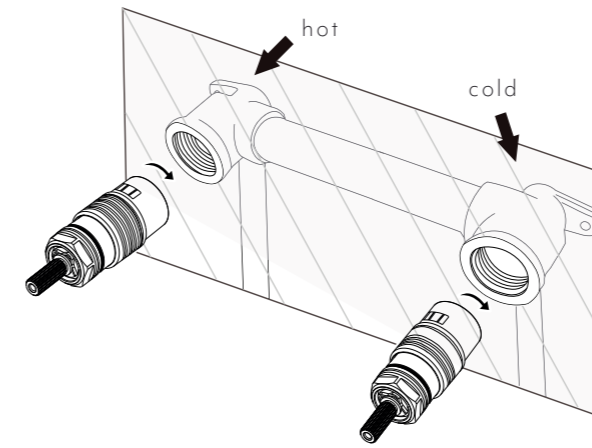
Note: This product must be installed by a licensed plumber. This is a general installation guide - there are many factors that are involved that can alter the installation method.

1 **New Build**
Install breach in desired position.

Retrofitting Existing

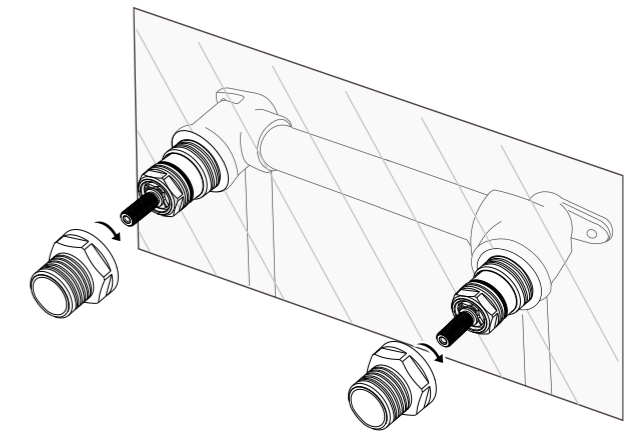
Remove existing tapware & reseal existing body seats until shiny & smooth.

Screw spindle into breach and hand tighten until rear of spindle meets the body seat, **be sure not to overtighten**. If necessary apply more pressure lightly with spanner. (Note: Locking nut must be removed prior to installing this part of the spindle)



3 Continue with the installation of the handles.
*See the install guide specific to your handle design

2 Screw on the locking nut and tighten with spanner.
TEST AND COMMISSION.
ENSURE THERE ARE NO LEAKS.



IN THE BOX

