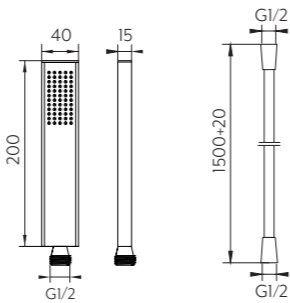


### BOTTOM DIVERTER INSTALLATION

The hand held has more range to move when the diverter is installed at the bottom of the rail, compared to installation at the top.



### SPECIFICATIONS

#### RECOMMENDED USE

Domestic

#### PRESSURE RATING

Recommended minimum working pressure 0.2 Bar  
Recommended maximum working pressure 5 Bar  
Hot and cold water inlet pressure should be equal

#### TEMPERATURE RATING

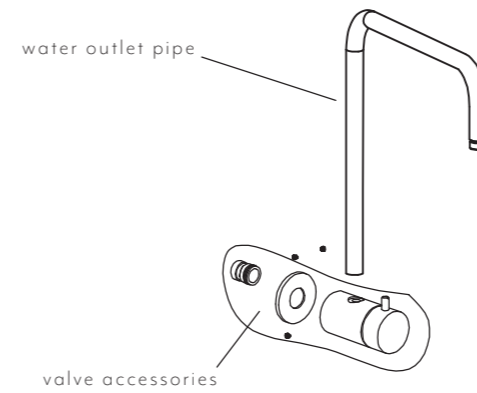
Maximum continuous working temperature 75°C  
If the water temperature exceeds 75°C, an approved tempering valve must be fitted

#### WARRANTY

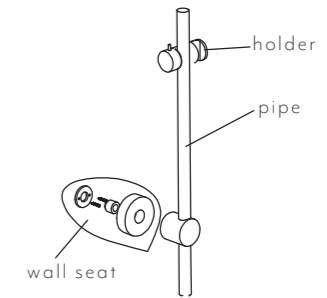
**Shower Head / Hand Shower**  
Structure: 10 years | Finish: 5 years  
**Shower Rail / Shower Hose / Diverter**  
Structure: 5 years | Finish: 2 years

## FINLEY ALL IN ONE SHOWER SET INSTALLATION MANUAL

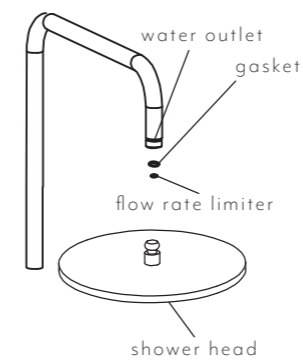
- 1 Install the valve accessories and the wall seat



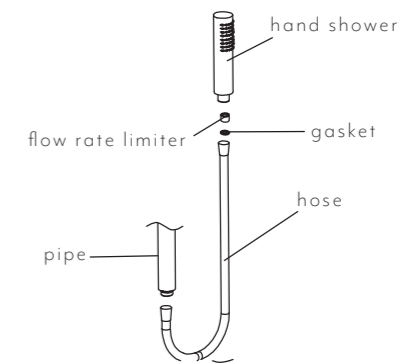
- 2 Put the straight arm into the holder, value accessories and wall seat, use M5 screws. Install the water outlet pipe into the top.



- 3 Before installing shower head, open and clean the pipe. Put the flow rate limiter and gasket into the shower head, then connect the shower head with the water outlet. Screw the head.



- 4 Before installing the hand shower, open and clean the pipe. Connect hand shower with the hose and the pipe



- 5 Make sure each screw connection is strong. Open the drainage system and water supply, check if there's any leakage in the connections.