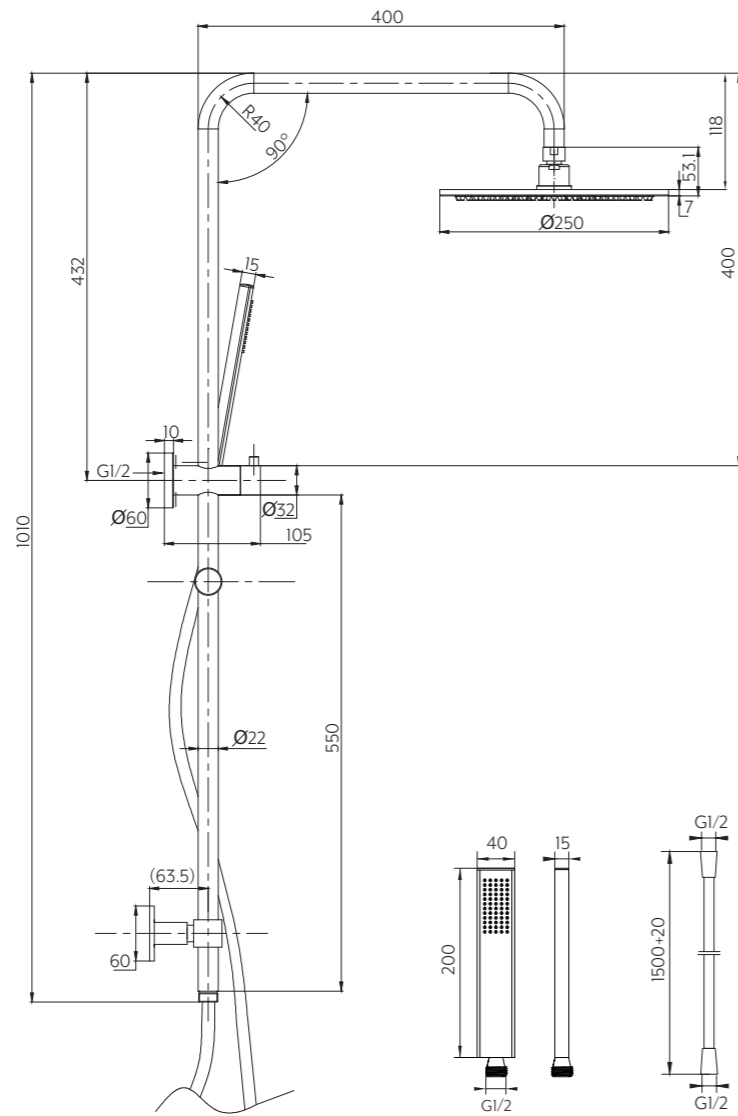




## TOP DIVERTER INSTALLATION

Please keep in mind, top diverter installation can limit the hand held movement along the rail.



## SPECIFICATIONS

### RECOMMENDED USE

Domestic

### PRESSURE RATING

Recommended minimum working pressure 0.2 Bar  
Recommended maximum working pressure 5 Bar  
Hot and cold water inlet pressure should be equal

### TEMPERATURE RATING

Maximum continuous working temperature 75°C  
If the water temperature exceeds 75°C, an approved tempering valve must be fitted

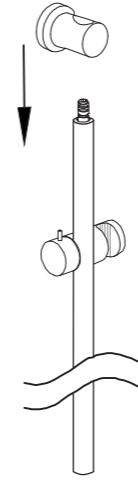
### WARRANTY

**Shower Head / Hand Shower**  
Structure: 10 years | Finish: 5 years  
**Shower Rail / Shower Hose / Diverter**  
Structure: 5 years | Finish: 2 years

# FINLEY ALL IN ONE SHOWER SET INSTALLATION MANUAL

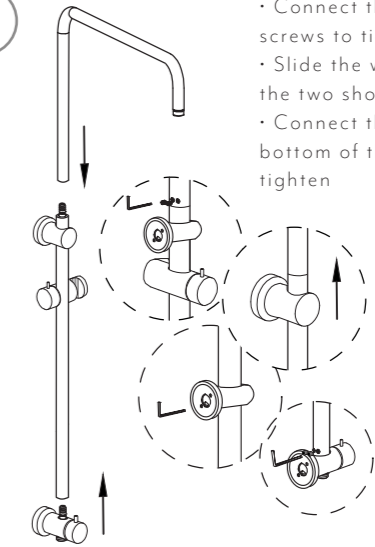
Installation for Diverter at the bottom

**1** Install the slider and wall base onto the shower rail



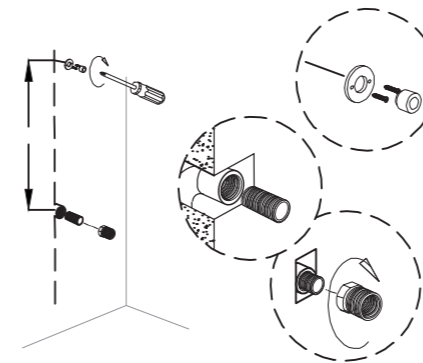
**2**

- Connect the shower rails using grub screws to tighten.
- Slide the wall base to cover the join of the two shower rails
- Connect the diverter component to the bottom of the rail using grub screws to tighten

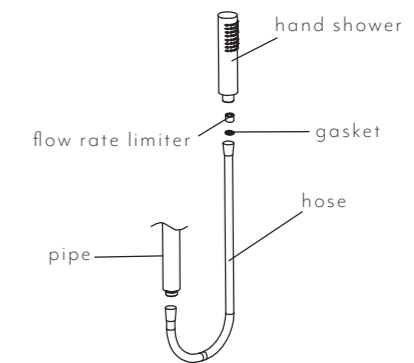


**3**

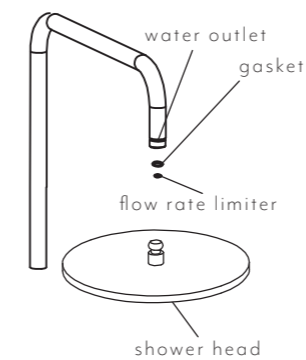
- Screw the 1/2inch BP adaptor to the BP
- Apply teflon tape to the adaptor
- Place expander screw into the hole. Fix to bracket



**4** Before installing the hand shower, open and clean the pipe. Connect hand shower with the hose and the pipe



**5** Before installing shower head, open and clean the pipe. Put the aerator and gasket into the shower head, then connect the shower head with the water outlet. Screw the head.



**6** Make sure each screw connection is strong. Open the drainage system and water supply, check if there's any leakage in the connections.