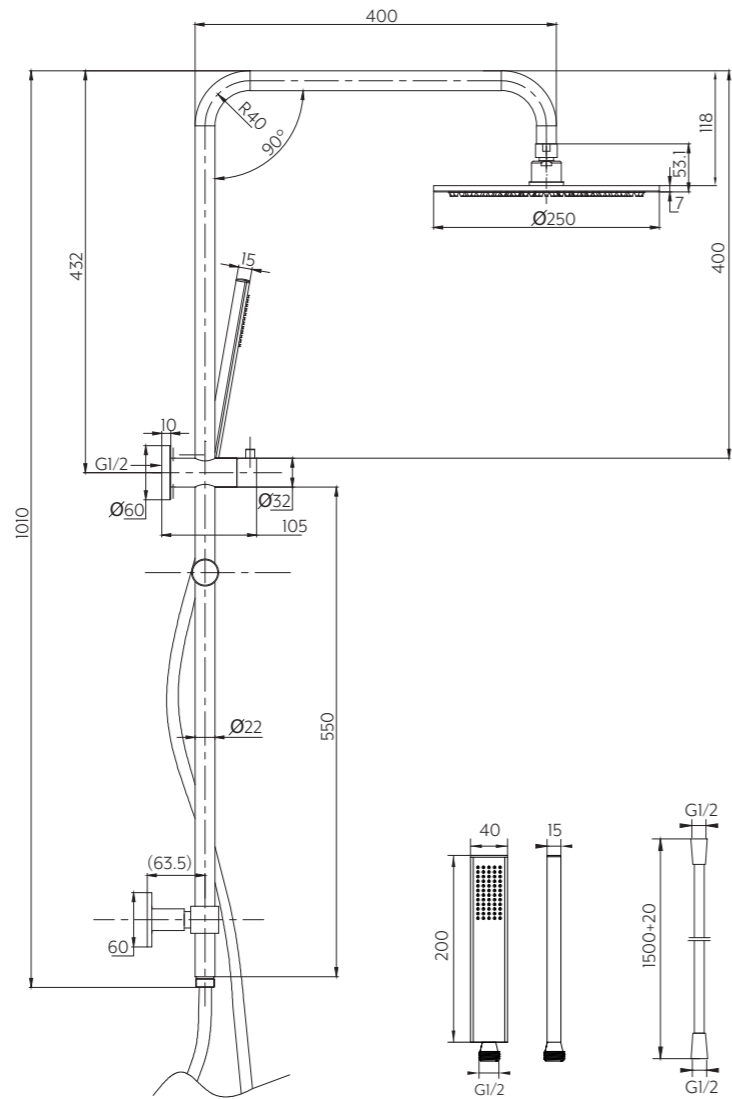


TOP DIVERTER INSTALLATION

Please keep in mind, top diverter installation can limit the hand held movement along the rail.



Note: Dimensions are nominal measurements only

SPECIFICATIONS

RECOMMENDED USE

Domestic

MATERIAL

Solid Brass

PRESSURE RATING

Recommended minimum working pressure 0.2 Bar
Recommended maximum working pressure 5 Bar
Hot and cold water inlet pressure should be equal

TEMPERATURE RATING

Maximum continuous working temperature 75°C
If the water temperature exceeds 75°C, an approved tempering valve must be fitted

SUITABLE HOT WATER UNITS

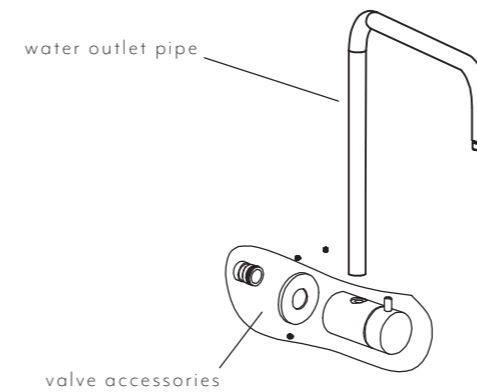
Storagetank: Yes
Continuous Flow: Yes
Gravity Feed: Suitable

INSTALLATION GUIDE

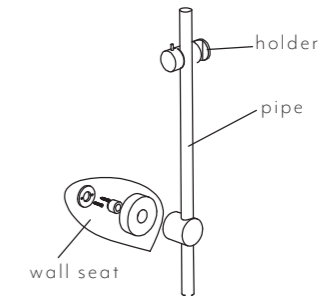
Note: This product must be installed by a licensed plumber. This is a general installation guide - there are many factors that are involved that can alter the installation method. For installs outside Australia and New Zealand, the standards in your respective country must be adhered to by your licensed tradesperson.

Note: Refer to additional adapter guide for AU to UK adapter instructions.

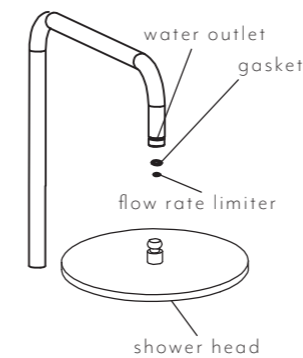
- 1 Install the valve accessories and the wall seat



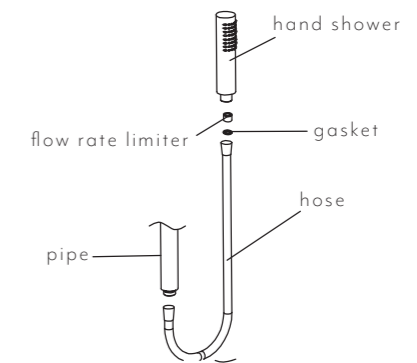
- 2 Put the straight arm into the holder, valve accessories and wall seat, use M5 screws. Install the water outlet pipe into the top.



- 3 Before installing shower head, open and clean the pipe. Put the flow rate limiter and gasket into the shower head, then connect the shower head with the water outlet. Screw the head.



- 4 Before installing the hand shower, open and clean the pipe. Connect hand shower with the hose and the pipe



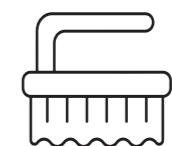
- 5 Make sure each screw connection is strong. Open the drainage system and water supply, check if there's any leakage in the connections.



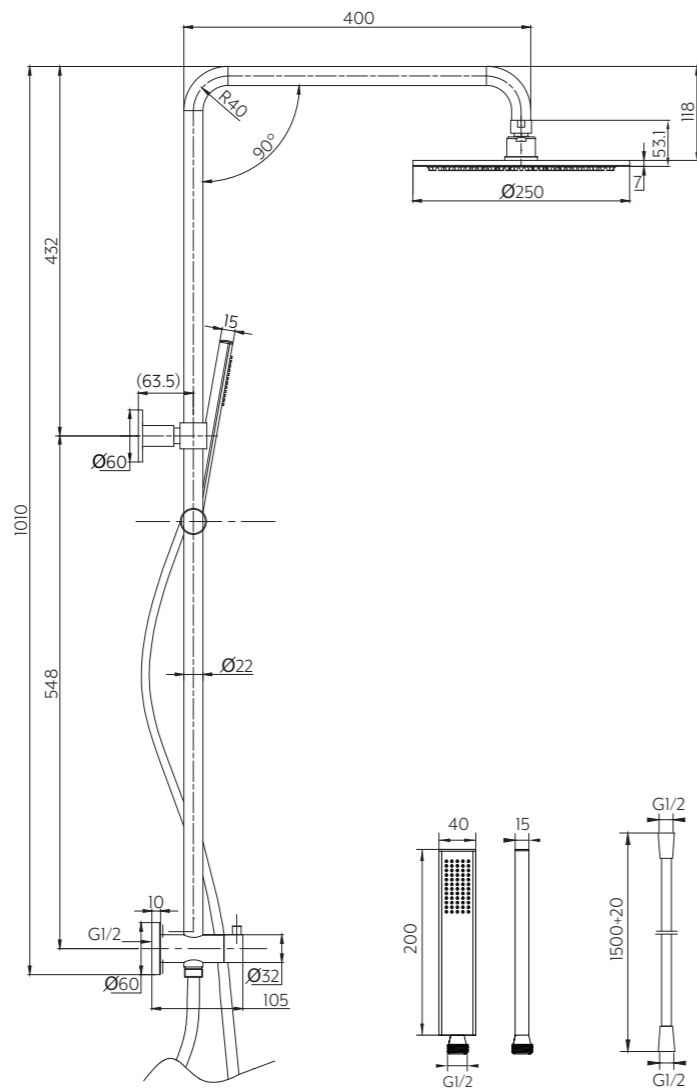
Regularly clean with mild liquid detergent or soap and water



DO NOT use cream cleaners or bleach. These substances are abrasive



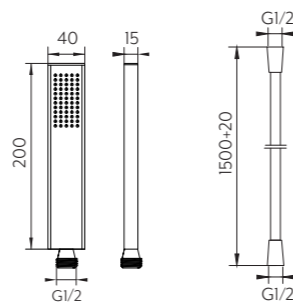
DO NOT use cleaning pads with abrasive surfaces as this may scratch the material



BOTTOM DIVERTER INSTALLATION

The hand held has more range to move when the diverter is installed at the bottom of the rail, compared to installation at the top.

Note: Dimensions are nominal measurements only



SPECIFICATIONS

RECOMMENDED USE

Domestic

MATERIAL

Solid Brass

PRESSURE RATING

Recommended minimum working pressure 0.2 Bar
Recommended maximum working pressure 5 Bar
Hot and cold water inlet pressure should be equal

TEMPERATURE RATING

Maximum continuous working temperature 75°C
If the water temperature exceeds 75°C, an approved tempering valve must be fitted

SUITABLE HOT WATER UNITS

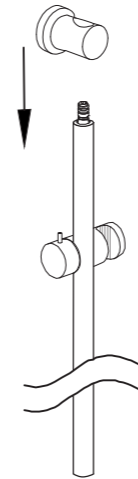
Storagetank: Yes
Continuous Flow: Yes
Gravity Feed: Not suitable

INSTALLATION GUIDE

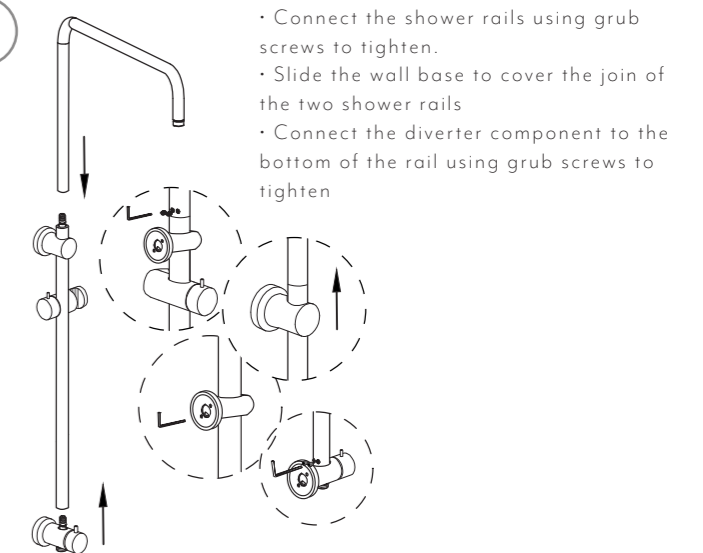
Note: This product must be installed by a licensed plumber.

This is a general installation guide - there are many factors that are involved that can alter the installation method. For installs outside Australia and New Zealand, the standards in your respective country must be adhered to by your licensed tradesperson.

1 Install the slider and wall base onto the shower rail

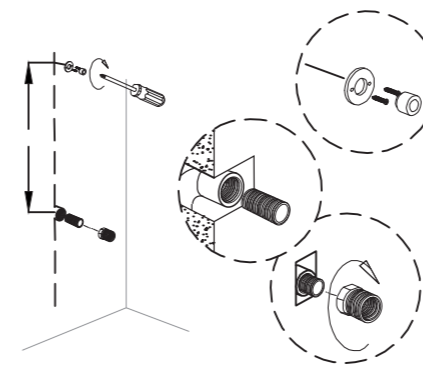


2



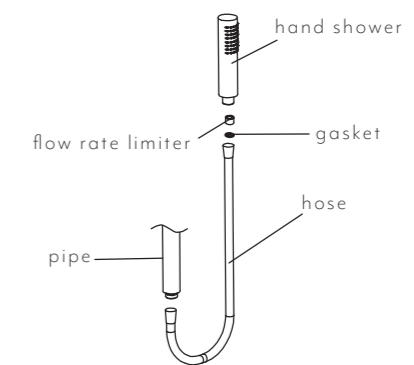
3

- Screw the 1/2inch BP adaptor to the BP
- Apply teflon tape to the adaptor
- Place expander screw into the hole. Fix to bracket

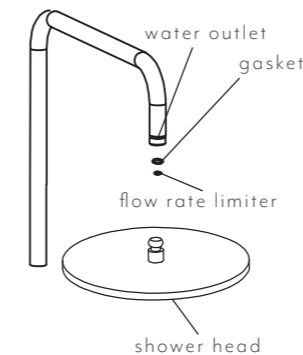


4

Before installing the hand shower, open and clean the pipe. Connect hand shower with the hose and the pipe



5 Before installing shower head, open and clean the pipe. Put the aerator and gasket into the shower head, then connect the shower head with the water outlet. Screw the head.



6

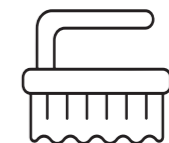
Make sure each screw connection is strong. Open the drainage system and water supply, check if theres any leakage in the connections.



Regularly clean with mild liquid detergent or soap and water



DO NOT use cream cleaners or bleach. These substances are abrasive



DO NOT use cleaning pads with abrasive surfaces as this may scratch the material