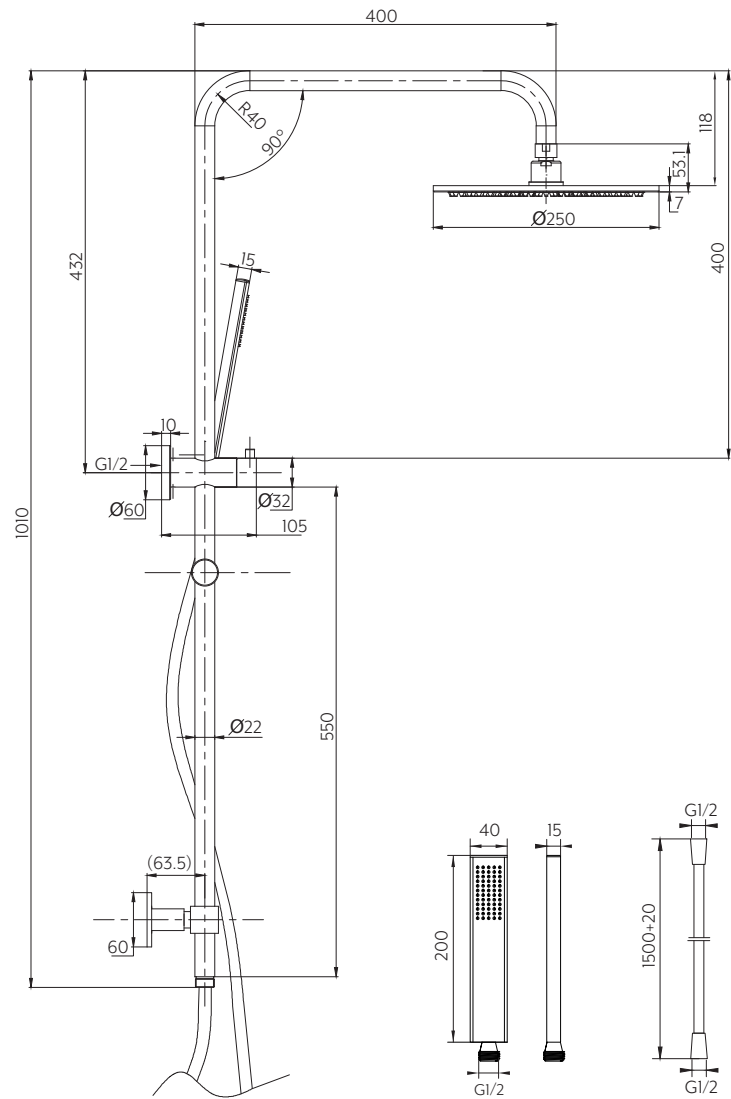


### TOP DIVERTER INSTALLATION

Please keep in mind, top diverter installation can limit the hand held movement along the rail.



Note: Dimensions are nominal measurements only

Please note this product has been updated for orders from the 05/02/2021

### SPECIFICATIONS

#### RECOMMENDED USE

Domestic

#### MATERIAL

Solid Brass

#### PRESSURE RATING

Recommended minimum working pressure 150kPa  
Recommended maximum working pressure 500kPa  
Hot and cold water inlet pressure should be equal

#### TEMPERATURE RATING

Maximum continuous working temperature 75°C  
If the water temperature exceeds 75°C, an approved tempering valve must be fitted

#### SUITABLE HOT WATER UNITS

Storagetank: Yes  
Continuous Flow: Yes  
Gravity Feed: Not suitable

#### STANDARDS

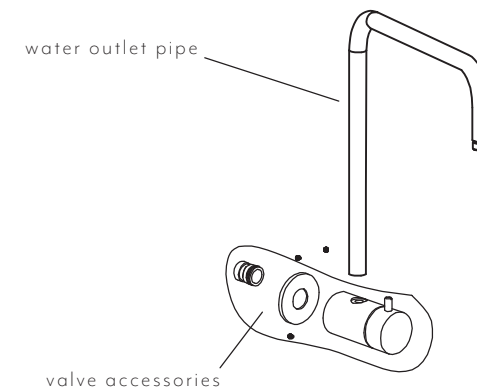
WELS Star Rating 3 star - Flow Rate: 8L/min  
S15039, WM-022852

Disclaimer: Products in this specification manual must be installed by licensed and registered trade people. The manufacturer/distributor reserves the right to vary specifications or delete models from their range without prior notification. Dimensions are nominal measurements only. Dimensions and set-outs listed are correct at time of publication however the manufacturer/distributor takes no responsibility for printing errors. All ABI Products are designed in Australia. Copyright ABI Interiors Pty Ltd 2021.

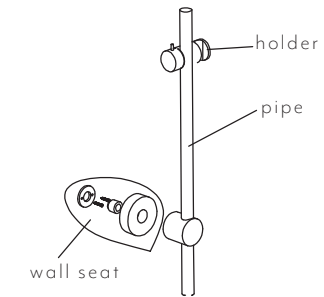
### INSTALLATION GUIDE

Note: This product must be installed by a licensed plumber. This is a general installation guide - there are many factors that are involved that can alter the installation method. All work carried out must comply and be according to AS/NZS 3500.

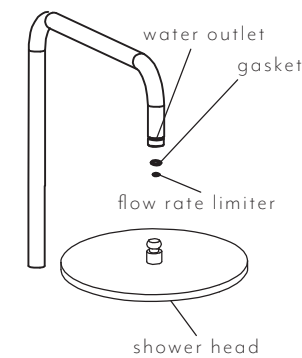
- 1 Install the valve accessories and the wall seat



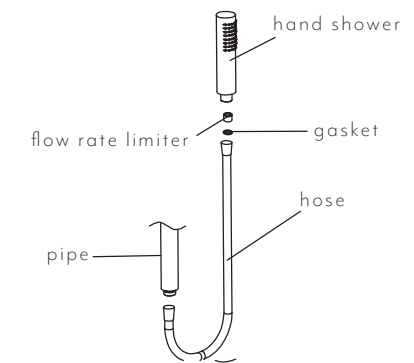
- 2 Put the straight arm into the holder, valve accessories and wall seat, use M5 screws. Install the water outlet pipe into the top.



- 3 Before installing shower head, open and clean the pipe. Put the flow rate limiter and gasket into the shower head, then connect the shower head with the water outlet. Screw the head.



- 4 Before installing the hand shower, open and clean the pipe. Connect hand shower with the hose and the pipe



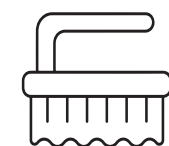
- 5 Make sure each screw connection is strong. Open the drainage system and water supply, check if there's any leakage in the connections.



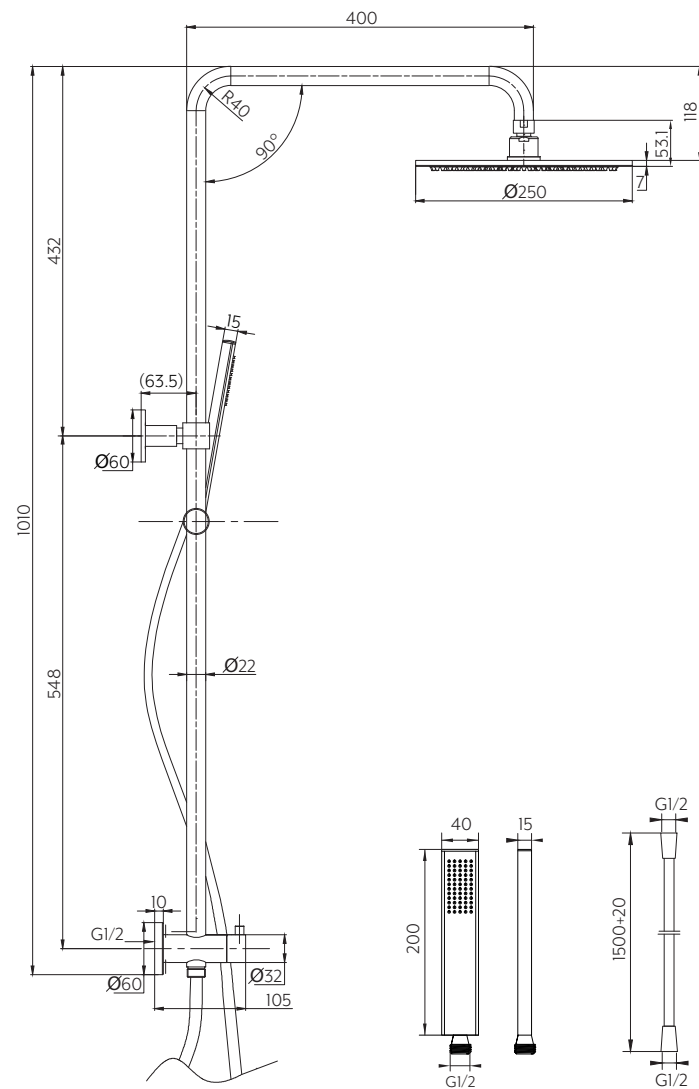
Regularly clean with mild liquid detergent or soap and water



DO NOT use cream cleaners or bleach. These substances are abrasive



DO NOT use cleaning pads with abrasive surfaces as this may scratch the material



## BOTTOM DIVERTER INSTALLATION

The hand held has more range to move when the diverter is installed at the bottom of the rail, compared to installation at the top.

**Note:** Dimensions are nominal measurements only

PLEASE NOTE THIS PRODUCT HAS BEEN UPDATED FOR ORDERS FROM THE 05/02/2021

## SPECIFICATIONS

### RECOMMENDED USE

Domestic

### MATERIAL

Solid Brass

### PRESSURE RATING

Recommended minimum working pressure 150kPa  
Recommended maximum working pressure 500kPa  
Hot and cold water inlet pressure should be equal

### TEMPERATURE RATING

Maximum continuous working temperature 75°C  
If the water temperature exceeds 75°C, an approved tempering valve must be fitted

### SUITABLE HOT WATER UNITS

Storage tank: Yes  
Continuous Flow: Yes  
Gravity Feed: Not suitable

### STANDARDS

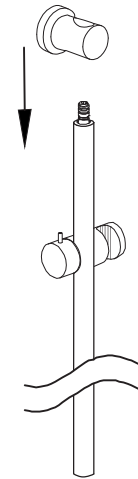
WELS Star Rating 3 star - Flow Rate: 8L/min  
S15039, WM-022852

Disclaimer: Products in this specification manual must be installed by licensed and registered trade people. The manufacturer/distributor reserves the right to vary specifications or delete models from their range without prior notification. Dimensions and set-outs listed are correct at time of publication however the manufacturer/distributor takes no responsibility for printing errors. All ABI Products are designed in Australia. Copyright ABI Interiors Pty Ltd 2021.

## INSTALLATION GUIDE

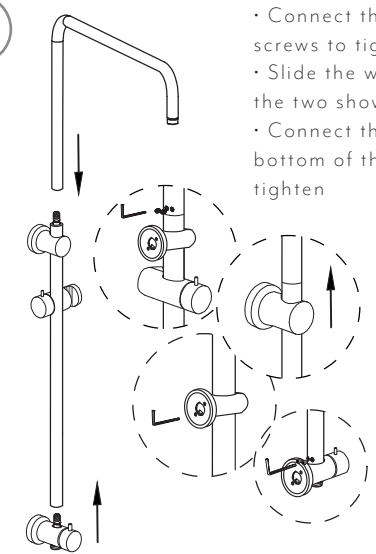
Note: This product must be installed by a licensed plumber. This is a general installation guide - there are many factors that are involved that can alter the installation method. All work carried out must comply and be according to AS/NZS 3500.

1 Install the slider and wall base onto the shower rail



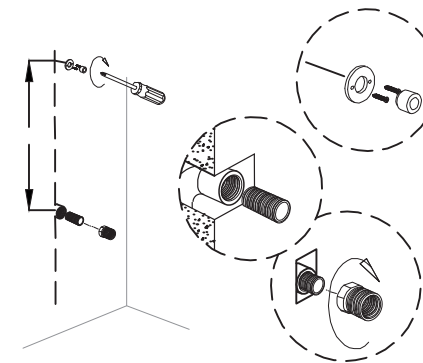
2

- Connect the shower rails using grub screws to tighten.
- Slide the wall base to cover the join of the two shower rails
- Connect the diverter component to the bottom of the rail using grub screws to tighten

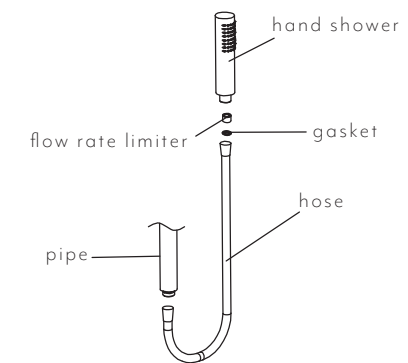


3

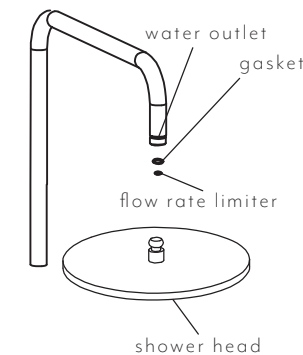
- Screw the 1/2inch BP adaptor to the BP
- Apply teflon tape to the adaptor
- Place expander screw into the hole. Fix to bracket



4 Before installing the hand shower, open and clean the pipe. Connect hand shower with the hose and the pipe



5 Before installing shower head, open and clean the pipe. Put the aerator and gasket into the shower head, then connect the shower head with the water outlet. Screw the head.

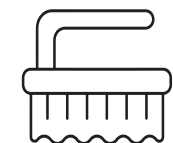


6 Make sure each screw connection is strong. Open the drainage system and water supply, check if there's any leakage in the connections.

Regularly clean with mild liquid detergent or soap and water



DO NOT use cream cleaners or bleach. These substances are abrasive



DO NOT use cleaning pads with abrasive surfaces as this may scratch the material