

Note: Dimensions are nominal measurements only

SPECIFICATIONS	
RECOMMENDED USE	Domestic
MATERIAL	Solid Brass
PRESSURE RATING	Recommended minimum working pressure 150kPa Recommended maximum working pressure 500kPa Hot and cold water inlet pressure should be equal
TEMPERATURE RATING	Maximum continuous working temperature 75°C If the water temperature exceeds 75°C, an approved tempering valve must be fitted
SUITABLE HOT WATER UNITS	Storage tank: Yes Continuous Flow: Yes Gravity Feed: Not Suitable
STANDARDS	WELS Star Rating 5 Star - Flow Rate: 5.5L/min Registration No. T39797, WM-022852

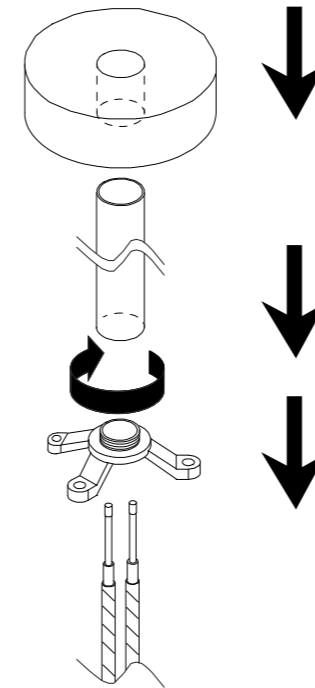
Disclaimer: Products in this specification manual must by regulation be installed by licensed and registered trade people. The manufacturer/distributor reserves the right to vary specifications or delete models from their range without prior notification. Dimensions are nominal measurements only. Dimensions and set-outs listed are correct at time of publication however the manufacturer/distributor takes no responsibility for printing errors. All ABI Products are designed in Australia. Copyright ABI Interiors 2019. WWW.ABIINTERIORS.COM.AU

INSTALLATION GUIDE

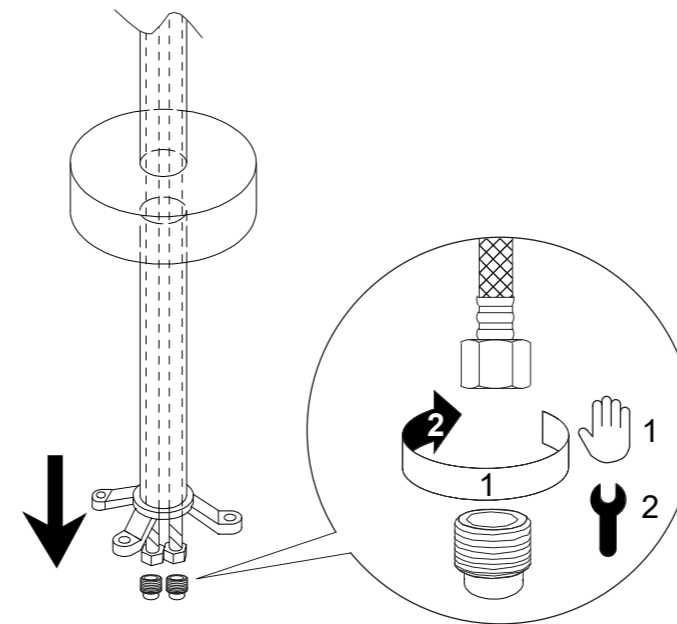
Note: This product must be installed by a licensed plumber.
This is a general installation guide - there are many factors that are involved that can alter the installation method.

- 1 Feed the two flexible hoses through the floor bracket, riser pipe & cover pate.

Hand tighten riser pipe into the bracket.

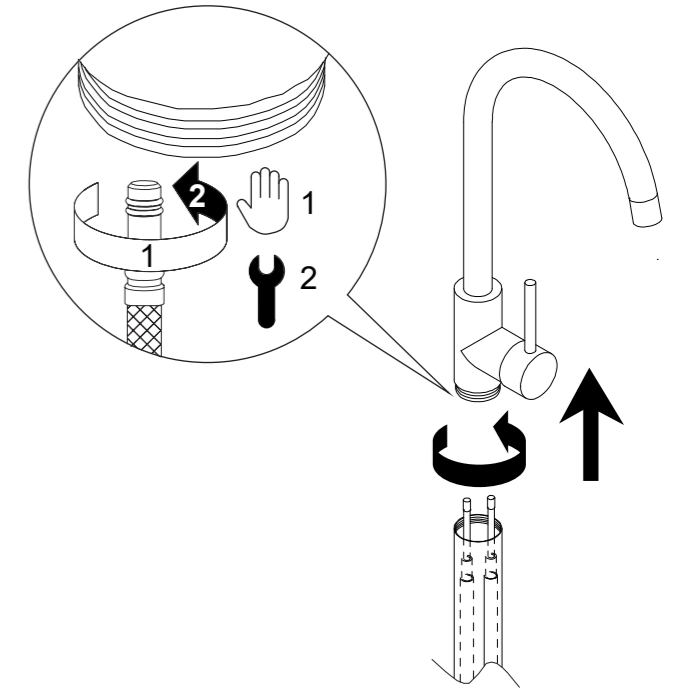


- 3 Connect the two flexible hoses into the water supply by hand tightening & making a final adjustment with a spanner. **Note:** overtightening can lead to kinked pipes.

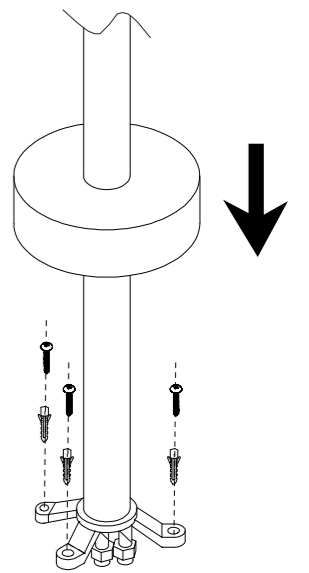


- 2 Connect the two flexible hoses into the mixer by hand tightening & making a final adjustment with a spanner. **Note:** overtightening can lead to kinked pipes.

Hand tighten riser pipe on to mixer.



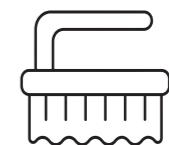
- 4 Screw mounting bracket to floor using fixings provided. Mount cover plate into position.



Regularly clean with mild liquid detergent or soap and water



DO NOT use cream cleaners or bleach. These substances are abrasive



DO NOT use cleaning pads with abrasive surfaces as this may scratch the material