

Note: Dimensions are nominal measurements only

SPECIFICATIONS

RECOMMENDED USE

Domestic

TEMPERATURE RATING

Maximum continuous working temperature 75°C
If the water temperature exceeds 75°C, an approved tempering valve must be fitted

PRESSURE RATING

Recommended minimum working pressure 150kPa
Recommended maximum working pressure 500kPa
Hot and cold water inlet pressure should be equal

STANDARDS

WELS Star Rating 5 Star – Flow Rate 6L/min
Registration No. T40064, WM-022852

Disclaimer: Products in this manual must by law be installed by licensed and registered tradespeople in accordance with the relevant standards. ABI and the manufacturer/distributor reserve the right to vary specifications or delete models from their range without prior notification. Dimensions are nominal measurements only. The information listed is correct at the time of publication, however ABI and the manufacturer/distributor takes no responsibility for printing errors. Copyright © ABI Interiors 2021

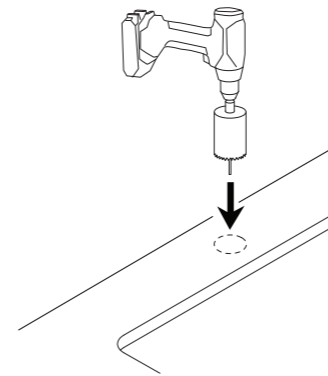
INSTALLATION GUIDE

Note: This product must be installed by a licensed plumber.
This is a general installation guide - there are many factors that are involved that can alter the installation method. This product install must comply with AS/NZS 3500.

- 1 Mark out desired location of spout.

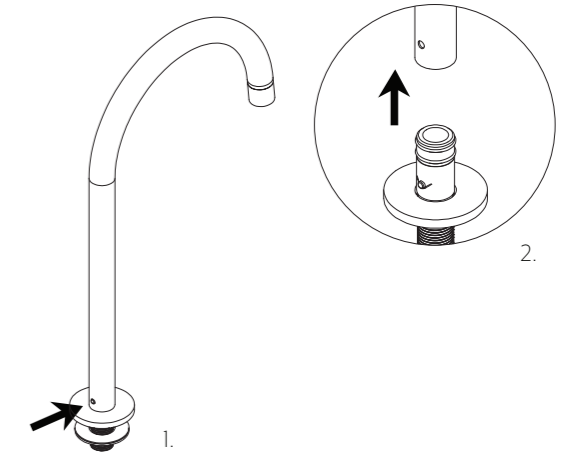
Cut hole using a 30mm hole saw.

Note: If cutting a stone benchtop it will need to be cut in a controlled environment by a licensed tradesperson as per OH&S regulations.

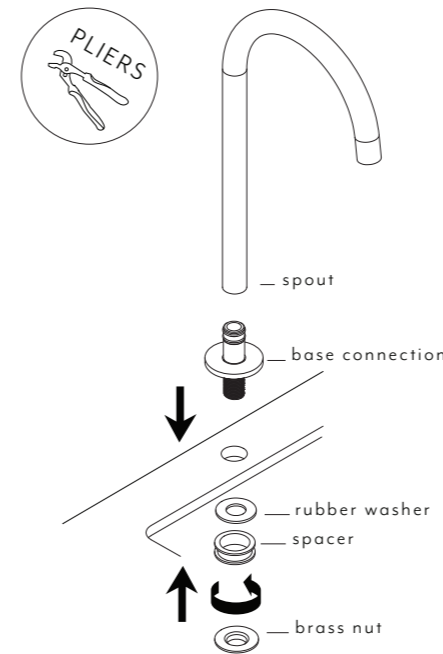


- 2 Remove the spout by pushing in the plastic clip with an allen key or screwdriver.

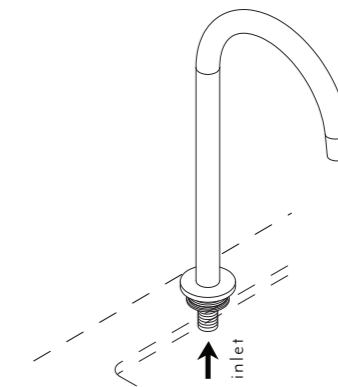
Caution: Be careful not to scratch the spout!



- 3 Fix base connection to benchtop with brass nut ensuring the rubber washer and spacer is fitted to the underside of the benchtop. Use pliers to hold the base connection while nut is tightened.



- 4 Connect pipework to inlet of spout.



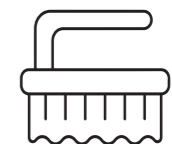
IN THE BOX			
	1x spout		1x spacer (if required)
	1x base connection		1x rubber washer
			1x brass nut



Regularly clean with mild liquid detergent or soap and water



DO NOT use cream cleaners or bleach. These substances are abrasive



DO NOT use cleaning pads with abrasive surfaces as this may scratch the material