

**Note:** Dimensions are nominal measurements only

## SPECIFICATIONS

### RECOMMENDED USE

Domestic

### MATERIAL

Solid Brass

### TEMPERATURE RATING

Maximum continuous working temperature 75°C  
If the water temperature exceeds 75°C, an approved tempering valve must be fitted

### PRESSURE RATING

Recommended minimum working pressure 0.2 Bar  
Recommended maximum working pressure 5 Bar  
Hot and cold water inlet pressure should be equal

### STANDARDS

Flow Rate(6.0 L/min)

Disclaimer: Products in this specification manual must by regulation be installed by licensed and registered trade people. The manufacturer/distributor reserves the right to vary specifications or delete models from their range without prior notification. Dimensions are nominal measurements only. Dimensions and set-outs listed are correct at time of publication however the manufacturer/distributor takes no responsibility for printing errors. All ABI Products are designed in Australia. Copyright ABI Interiors Pty Ltd 2021.

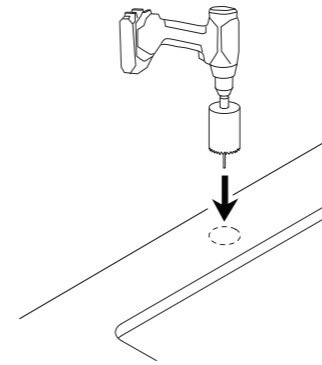
## INSTALLATION GUIDE

Note: This product must be installed by a licensed plumber.  
This is a general installation guide - there are many factors that are involved that can alter the installation method. All work carried out must comply and be according to AS/NZS 3500. For installs outside Australia and New Zealand, the standards in your respective country must be adhered to by your licensed tradesperson.

- 1 Mark out desired location of spout.

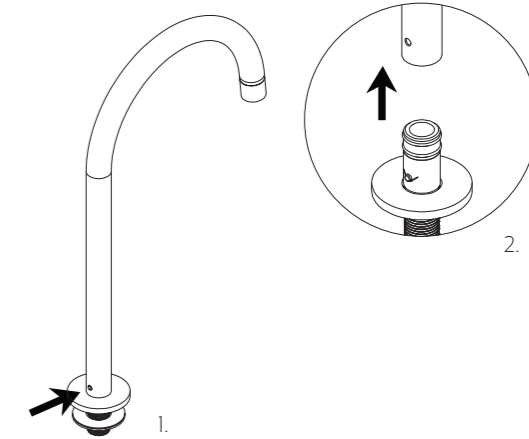
Cut hole using a 25mm hole saw.

**Note:** If cutting a stone benchtop it will need to be cut in a controlled environment by a licensed tradesperson as per OH&S regulations.

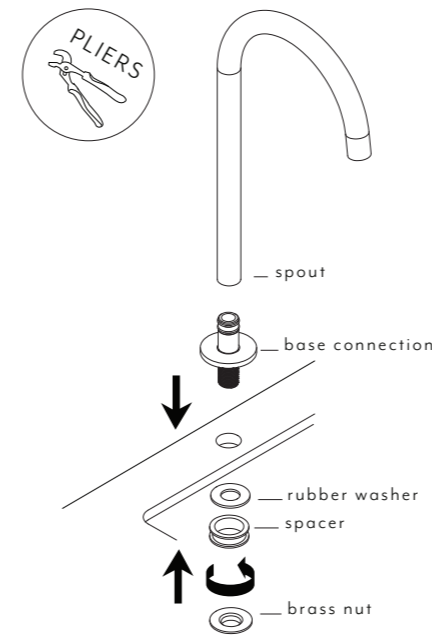


- 2 Remove the spout by pushing in the plastic clip with an allen key or screwdriver.

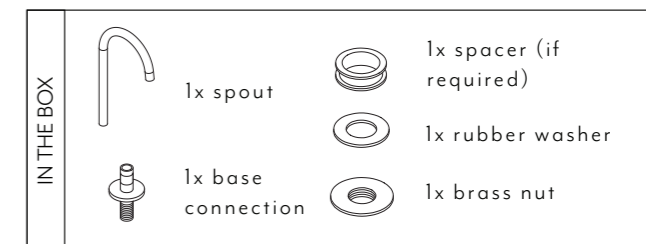
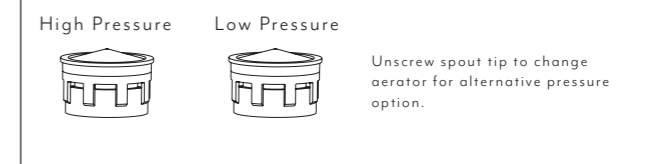
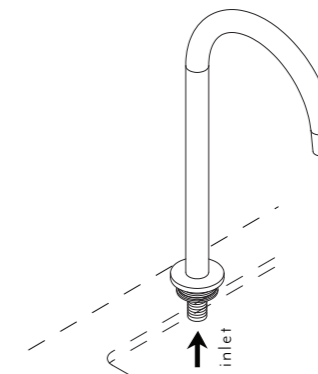
**Caution:** Be careful not to scratch the spout!



- 3 Fix base connection to benchtop with brass nut ensuring the rubber washer and spacer is fitted to the underside of the benchtop. Use pliers to hold the base connection while nut is tightened.



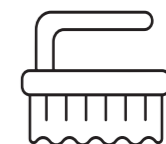
- 4 Connect pipework to inlet of spout.



Regularly clean with mild liquid detergent or soap and water



DO NOT use cream cleaners or bleach. These substances are abrasive



DO NOT use cleaning pads with abrasive surfaces as this may scratch the material