

Note: Dimensions are nominal measurements only

SPECIFICATIONS	
RECOMMENDED USE	Domestic
MATERIAL	Solid Brass
FUNCTIONS	Swivel
PRESSURE RATING	Recommended minimum working pressure 150kPa Recommended maximum working pressure 500kPa Hot and cold water inlet pressure should be equal
TEMPERATURE RATING	Maximum continuous working temperature 75°C If the water temperature exceeds 75°C, an approved tempering valve must be fitted
STANDARDS	WELS Star Rating 5 star - Flow Rate: 6L/min Registration No. T36815, WM-022852

Disclaimer: Products in this specification manual must by regulation be installed by licensed and registered trade people. The manufacturer/distributor reserves the right to vary specifications or delete models from their range without prior notification. Dimensions are nominal measurements only. Dimensions and set-outs listed are correct at time of publication however the manufacturer/distributor takes no responsibility for printing errors. All ABI Products are designed in Australia. Copyright ABI Interiors 2019.

INSTALLATION GUIDE

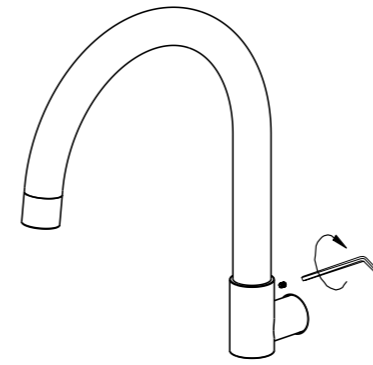
This product must be installed by a licensed plumber.

This is a general installation guide - there are many factors that are involved that can alter the installation method.

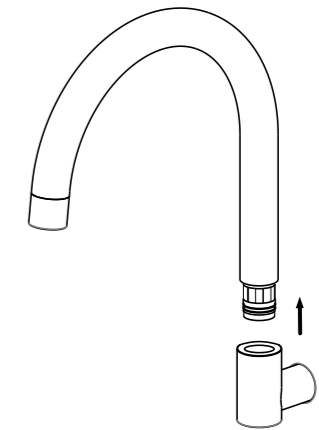
This product install must comply with AS/NZS 3500. For installs outside Australia and New Zealand, the standards in your respective country must be adhered to by your licensed tradesperson.

NOTE: If your spout is positioned close to the bench or had taps close by - you may not be able to twist it on with the gooseneck spout attached - below are the steps to install your spout without hitting any obstacles.

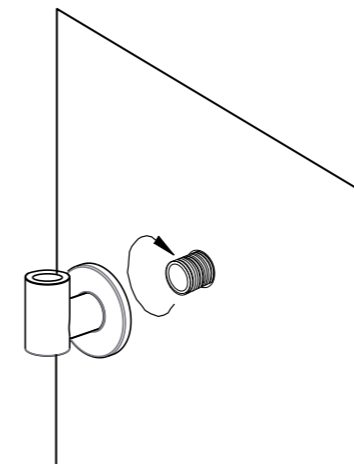
1 Using the allen key, loosen the grub screw.



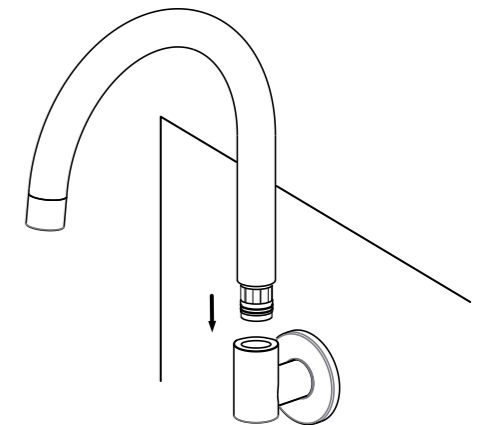
2 Make sure the grub screw is loosened enough to release the spout. Release spout by pulling apart from the base. This step is only necessary



3 Rotate the body onto the water outlet (1/2 inch nipple) with teflon tape and firmly tighten.



4 Insert the gooseneck back into the body and tighten the grub screw. Note: Apply water based lubricant to the O-ring



Regularly clean with mild liquid detergent or soap and water



DO NOT use cream cleaners or bleach. These substances are abrasive



DO NOT use cleaning pads with abrasive surfaces as this may scratch the material