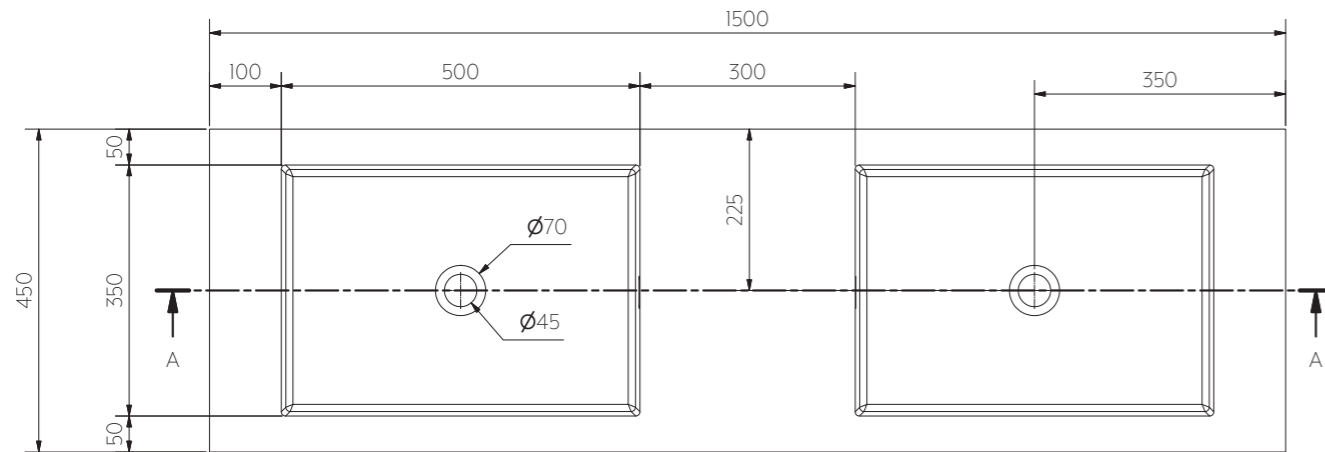
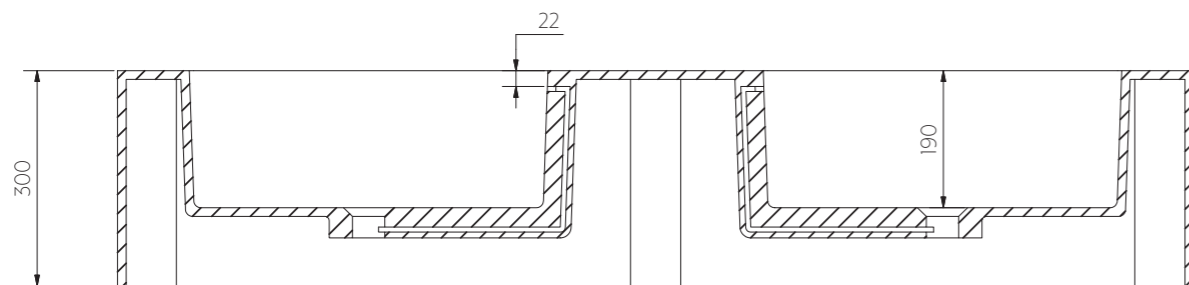


HENDERSON DOUBLE WALL MOUNTED BASIN



Top View



Section A-A

Note: Dimensions are nominal measurements only

SPECIFICATIONS

RECOMMENDED USE

Domestic

MATERIAL

Solid Surface

INSTALLATION

Wall Mount

OVERFLOW

No

CAPACITY

55L

RIM THICKNESS

50mm at Front and Back
100mm at Side

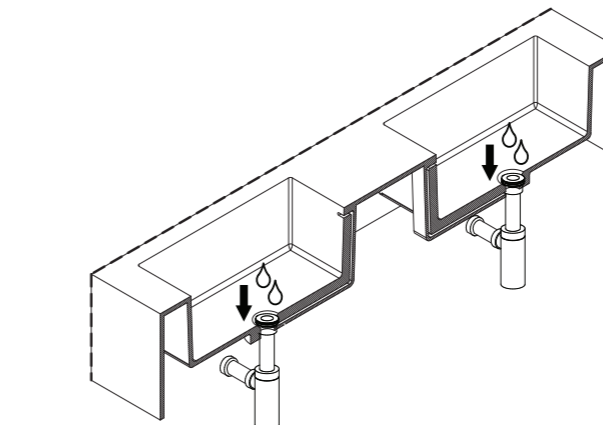
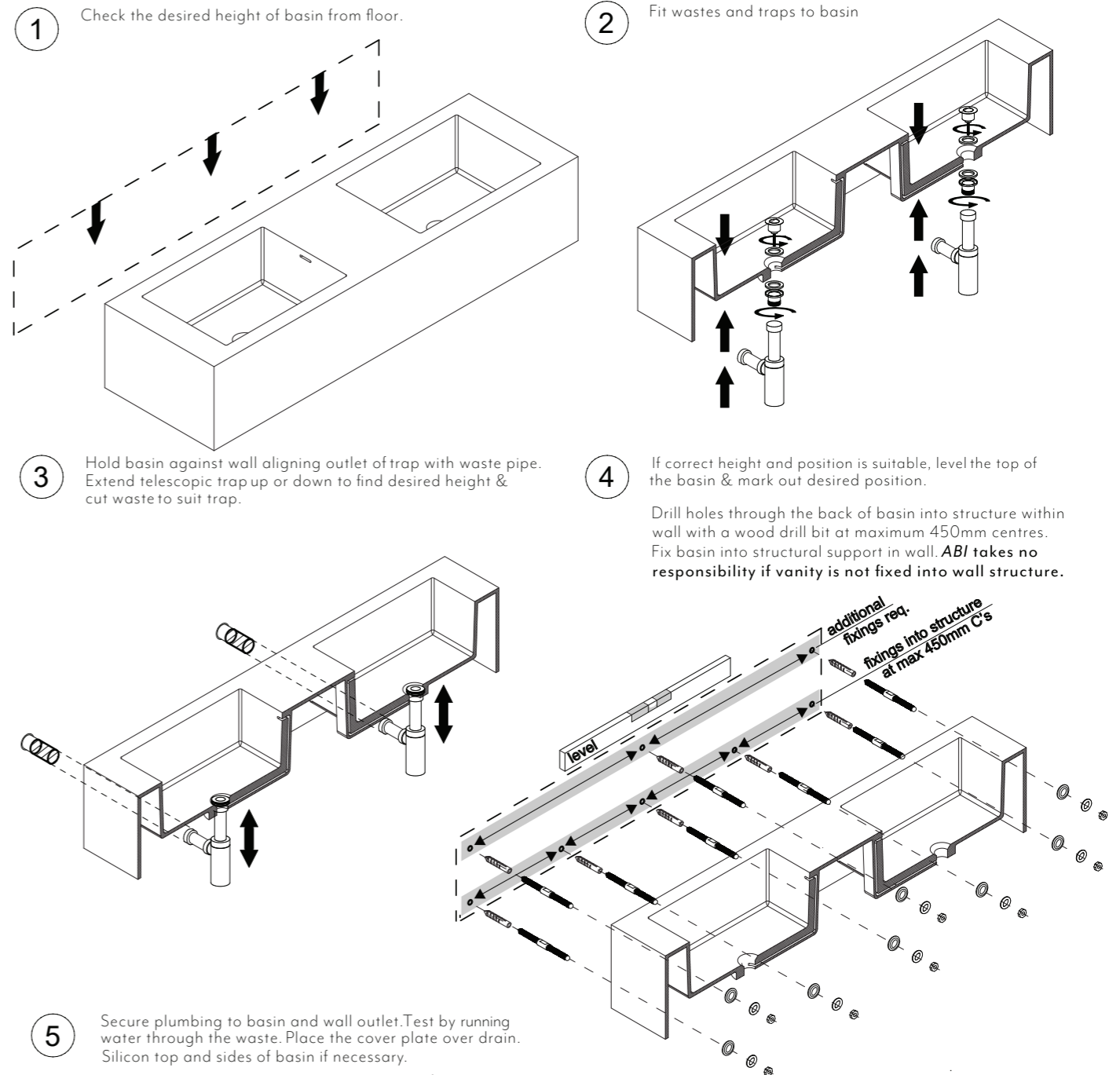
COMPATIBLE WITH

Wall Mount Spout/Mixer

Disclaimer: Products in this manual must be installed by licensed and registered tradespeople in accordance with the relevant standards. ABI and the manufacturer/distributor reserve the right to vary specifications or delete models from their range without prior notification. Dimensions are nominal measurements only. The information listed is correct at the time of publication, however ABI and the manufacturer/distributor takes no responsibility for printing errors. Copyright © ABI Interiors 2021

INSTALLATION GUIDE

Note: This product must be installed by a licensed plumber. This is a general installation guide - there are many factors that are involved that can alter the installation method. This product install must comply with AS/NZS 3500.



IN THE BOX			
	8 x Wall plug		8 x Metal washer
	8 x Hanger bolt		8 x Nut
	8 x Plastic washer		1 x Basin



Regularly clean with mild liquid detergent or soap and water



DO NOT use cream cleaners or bleach. These substances are abrasive



DO NOT use cleaning pads with abrasive surfaces as this may scratch the material