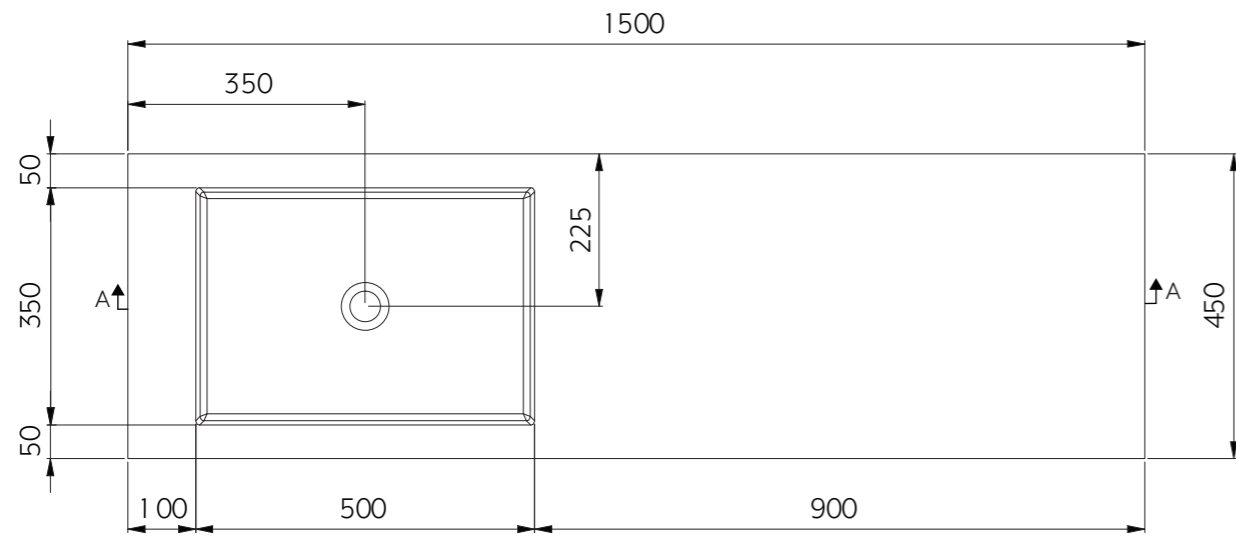
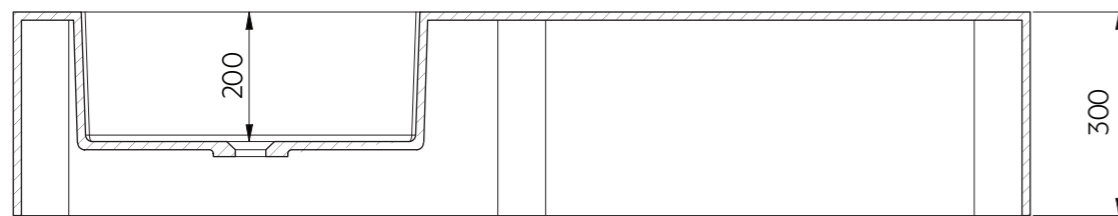


ABI HENDERSON WALL MOUNTED BASIN



Top View



Section A : A

Note: Dimensions are nominal measurements only

SPECIFICATIONS

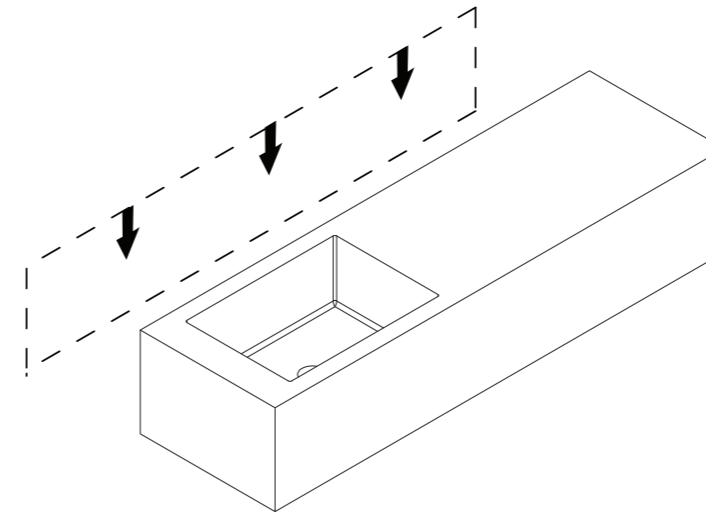
RECOMMENDED USE	Domestic
MATERIAL	Solid Surface
INSTALLATION	Wall Mount
OVERFLOW	No
CAPACITY	28L
RIM THICKNESS	50mm at Front and Back 100mm at Side
COMPATIBLE WITH	Wall Mount Spout/Mixer

Disclaimer: Products in this manual must be installed by licensed and registered tradespeople in accordance with the relevant standards. ABI and the manufacturer/distributor reserve the right to vary specifications or delete models from their range without prior notification. Dimensions are nominal measurements only. The information listed is correct at the time of publication, however ABI and the manufacturer/distributor takes no responsibility for printing errors. Copyright © ABI Interiors 2021

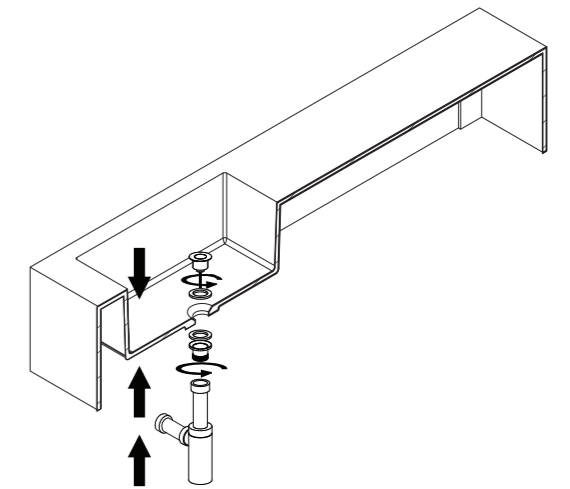
INSTALLATION GUIDE

Note: This product must be installed by a licensed plumber. This is a general installation guide - there are many factors that are involved that can alter the installation method. This product install must comply with AS/NZS 3500.

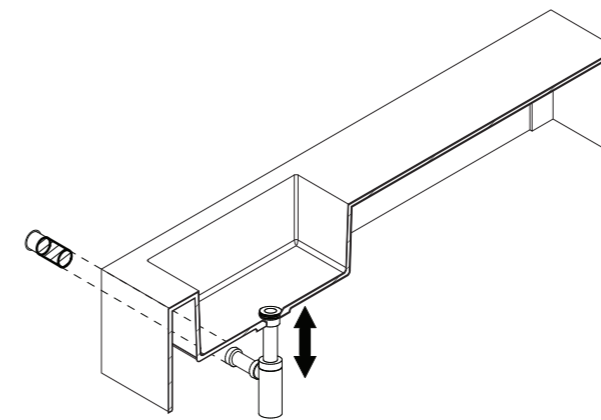
1 Check the desired height of basin from floor.



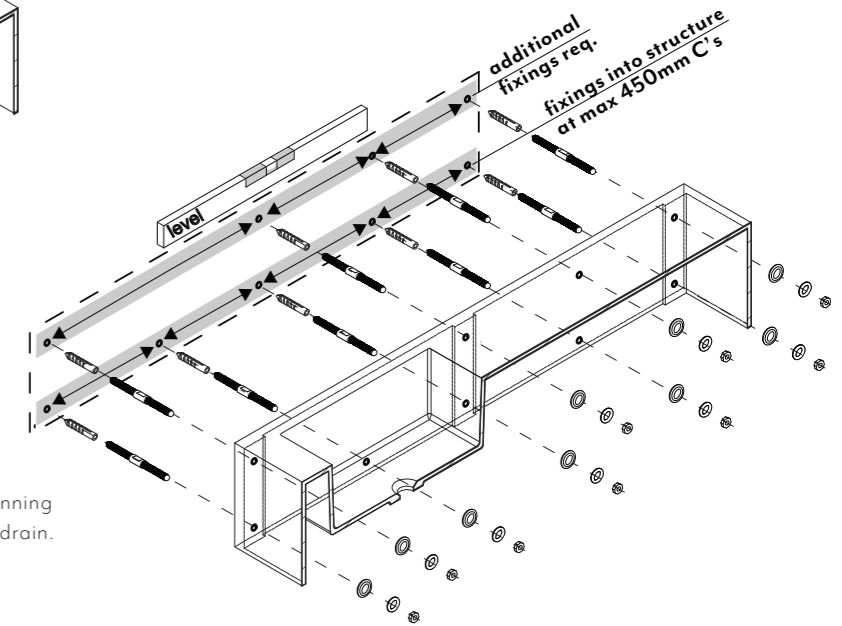
2 Fit waste and trap to basin.



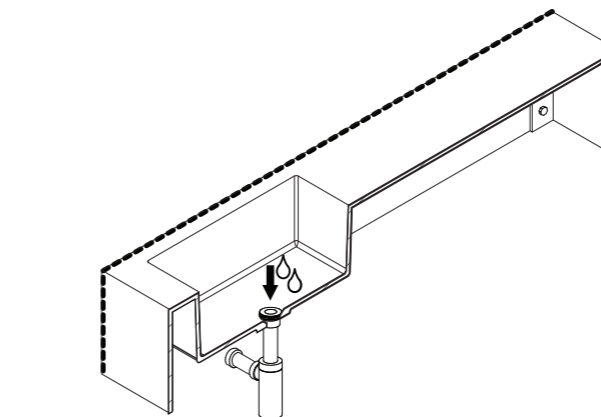
3 Hold basin against wall aligning outlet of trap with waste pipe. Extend telescopic trap up or down to desired height and cut waste to suit trap.



4 If correct height and position is suitable, level to top of the basin and mark out desired position. Drill hole through the back of basin into structure within wall. Use a wood drill bit at maximum 450mm centres. Fix basin into structural support in the wall. **ABI takes no responsibility if basin is not fixed into wall structure.**



5 Secure plumbing to basin and wall outlet. Test by running water through the waste. Place the cover plate over drain. Silicone top and sides of basin if necessary.



Regularly clean with mild liquid detergent or soap and water



DO NOT use cream cleaners or bleach. These substances are abrasive



DO NOT use cleaning pads with abrasive surfaces as this may scratch the material

IN THE BOX

- 9 x Wall plug
- 9 x Metal washer
- 9 x Hanger bolt
- 9 x Nut
- 9 x Plastic washer
- 1 x Basin