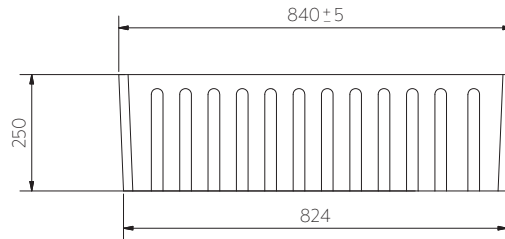
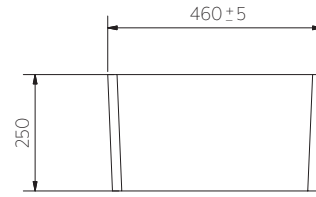


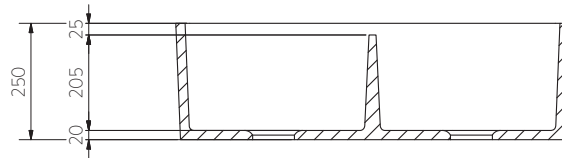
Top View



Front View



Side View



Section A-A

NOTE: PRODUCT DOES NOT INCLUDE BASKET WASTE

Note: Dimensions are nominal measurements only

SPECIFICATIONS

RECOMMENDED USE

Domestic, Commercial

COLOUR AVAILABILITY

White

MATERIAL

Ceramic

INSTALLATION

Undermount, Flushmount

OVERFLOW

N/A

LITRE

58 Litres

WEIGHT

43.8 kg

INSTALLATION GUIDE - UNDERMOUNT SINK

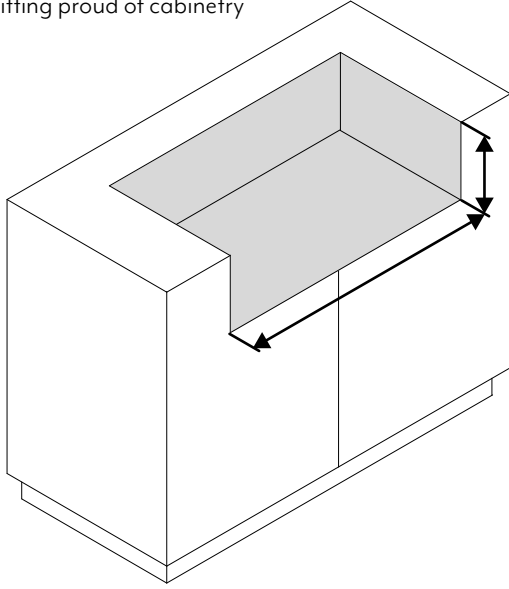


Note: This product must be installed by a **licensed tradesperson**.
This is a general installation guide - there are many factors that are involved that can alter the installation method.

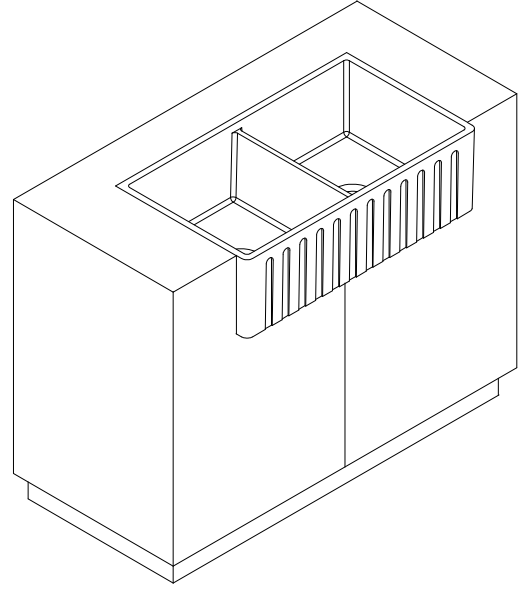
- 1 Note: this basin can only be installed into new cabinetry & benchtops by a **licensed tradesperson**.

The sink must be available to tradespeople for taking measurements at time of manufacture. **ABI is unable to provide templates due to variations in the material of the product ($\pm 5\text{mm}$).**

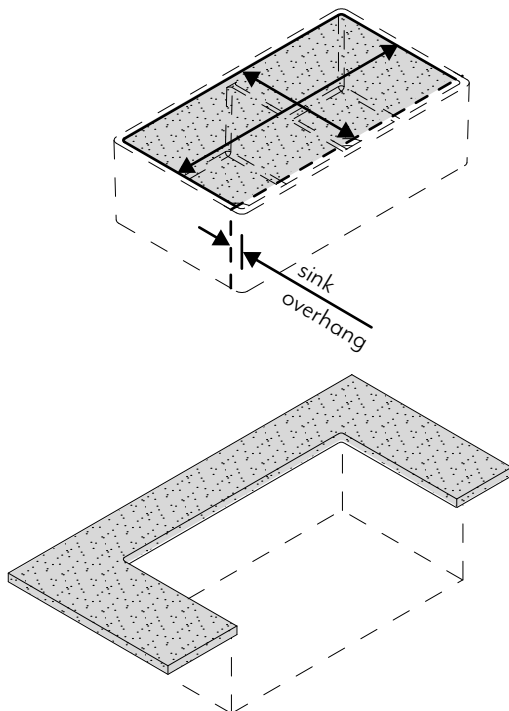
Allow for the cabinetry to be designed so the sink front is sitting proud of cabinetry



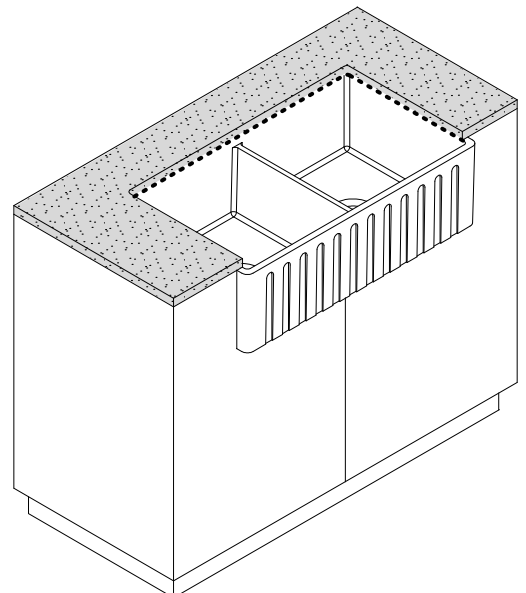
- 2 Mount the sink into the cabinet shelf ensuring the sink is level with the cabinet top.



- 3 Cut the bench-top using the external measurements of the sink perimeter in conjunction with the desired sink overhang and cabinetry shelf.



- 4 Install the benchtop & apply adhesive to sink perimeter. Wipe away any excess adhesive sealant.



INSTALLATION GUIDE - FLUSHMOUNT SINK

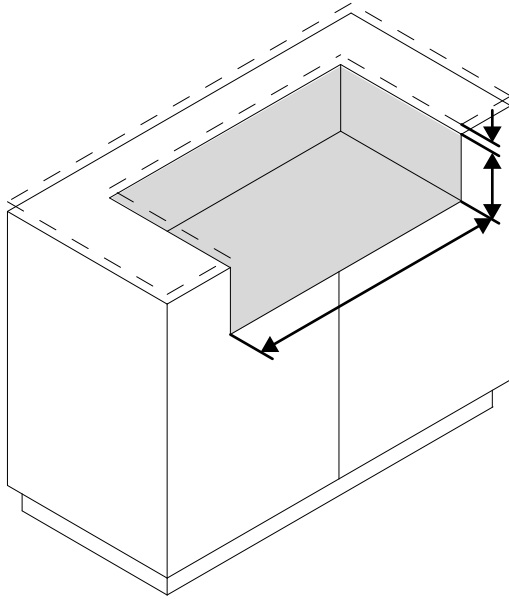


Note: This product must be installed by a licensed tradesperson.
This is a general installation guide - there are many factors that are involved that can alter the installation method.

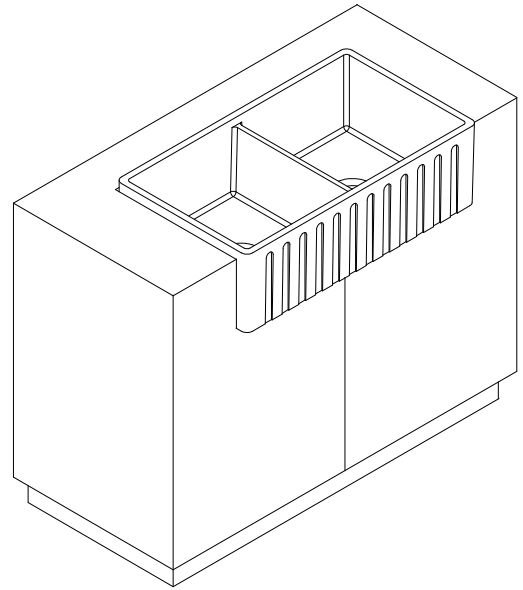
- 1 Note: this basin can only be installed into new cabinetry & benchtops by a licensed tradesperson.

The sink must be available to tradespeople for taking measurements at time of manufacture. **ABI is unable to provide templates due to variations in the material of the product ($\pm 5\text{mm}$).**

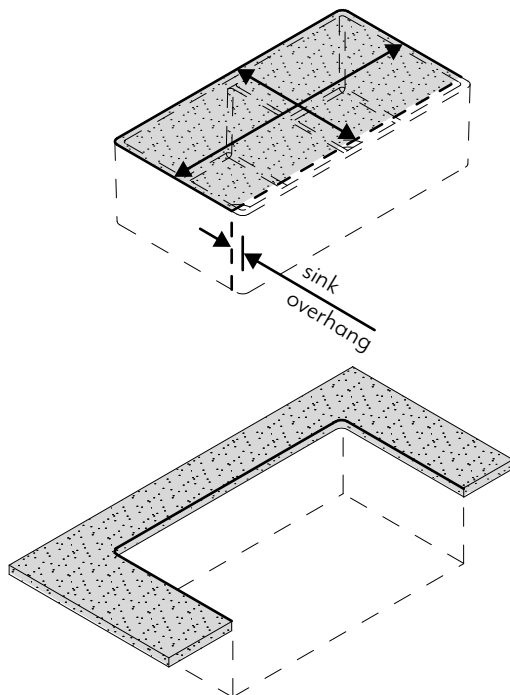
Allow for the cabinetry to be designed so the sink front is sitting proud of cabinetry & for additional depth of the benchtop to marry up with the level of the flushmount sink.



- 2 Mount the sink into the cabinet shelf.



- 3 Cut the benchtop using the external measurements of the sink perimeter in conjunction with the desired sink overhang and cabinetry shelf.



- 4 Install the benchtop & apply adhesive to sink perimeter. Wipe away any excess adhesive sealant.

